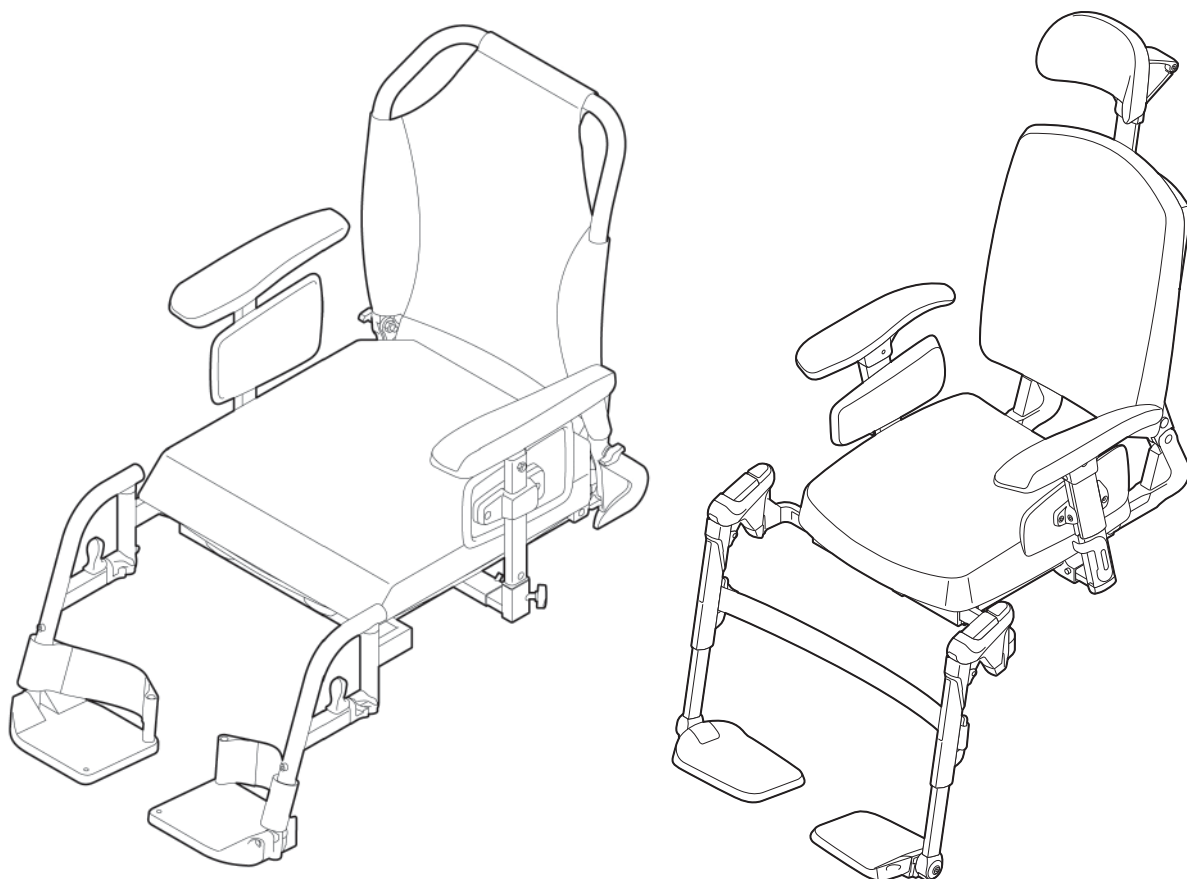


SEDEO LITE/PRO



© 2015 Sunrise Medical HCM

All rights reserved.

The information provided herein may not be reproduced and/or published in any form, by print, photo print, microfilm or any other means whatsoever (electronically or mechanically) without the prior written authorisation of Sunrise Medical HCM.

The information provided is based on general data concerning the constructions known at the time of the publication of this manual. Sunrise Medical HCM executes a policy of continuous improvement and reserves the right to changes and modifications.

The information provided is valid for the product in its standard version. Sunrise Medical HCM cannot be held liable for possible damage resulting from specifications of the product deviating from the standard configuration.

The available information has been prepared with all possible diligence, but Sunrise Medical HCM cannot be held liable for possible errors in the information or the consequences thereof.

Sunrise Medical HCM accepts no liability for loss resulting from work executed by third parties.

Names, trade names, etc. used by Sunrise Medical HCM may not, as per the legislation concerning the protection of trade names, be considered as being available.

Table of content

1 Introduction	5
1.1 This manual	5
1.2 Identification of the product	5
1.3 Symbols used in this manual	6
2 Safety	7
2.1 Personnel qualification	7
2.2 Cautions and warning statements	7
2.3 Used decals on the seating system	8
3 Tools, parts and components	9
3.1 Tools	9
4 Spare parts.....	10
4.1 Use of the parts lists	10
4.2 Sedeo Lite	11
1 Sedeo Lite / Seat frame	12
2 Sedeo Lite / Seat cushion	13
3 Sedeo Lite / Backrest frame	14
4 Sedeo Lite / Backrest cushion	15
5 Sedeo Lite / Standard legrest	16
6 Sedeo Lite / Comfort legrest	17
7 Sedeo Lite / Removable armrest	18
8 Sedeo Lite / Headrest	19
9 Sedeo Lite / Joystick bracket	20
10 Sedeo Lite / Lighting	21
11 Sedeo Lite / Positioning belt	22
4.3 Sedeo Pro	23
12 Sedeo Pro / Seat frame	24
13 Sedeo Pro / Push bar	26
14 Sedeo Pro / Seat cushion	27
15 Sedeo Pro / Backrest	37
16 Sedeo Pro / Backrest flexible	42
17 Sedeo Original / Mounting bracket for legrest	46
18 Mounting bracket for heavy duty legrest	47
19 Sedeo Original / Standard legrest	48
20 Sedeo Original / Manually elevating legrest	50
21 Sedeo Original / Electrically elevating legrest	52
22 Standard heavy duty legrest	54
23 Comfort heavy duty legrest	55
24 Sedeo Pro / Central legrest	56
25 Sedeo Pro / Manually elevating central legrest	57
26 Sedeo Pro / Electrically elevating central legrest	58
27 Sedeo Pro / Removable armrest	59
28 Sedeo Pro / Flip up armrest	60
29 Sedeo Pro / Headrest	61
30 Sedeo Pro / Joystick bracket	62
31 Sedeo Pro / Lighting on flip up armrest	63
32 Sedeo Pro / Lighting on seat frame	64
33 Sedeo Pro / Abduction support	65
34 Sedeo Pro / Hemiplegia armrest - Side cushions wedge shaped - Mirror - Armrest bag	66
35 Sedeo Pro / Positioning belt - Cane holder - Thigh support	67
36 Sedeo Pro / Worktops manual wheelchair	68
37 Sedeo Pro / Worktops power wheelchair	69
38 Sedeo Pro / Third party backrest	70

5 Service instructions	71
5.1 Maintenance plan / Reimbursement plan	71
5.2 Assembling, replacement and adjustment instructions Sedeo Lite	72
5.2.1 Replacing the backrest frames	72
5.2.2 Adjusting or mounting the seat cushion fixation set	76
5.2.3 Mounting the standard or swing-away remote holder	77
5.2.4 Mounting the lights	78
5.2.5 Mounting the positioning belt	80
5.3 Assembly, replacement and adjustment instructions Sedeo Pro	81
5.3.1 General instruction: Removing drop out protection parts	81
5.3.2 General instruction: The use of the clamp nut	82
5.3.3 Replacing the angle adjustable/reclining backrests	83
5.3.4 Mounting the push bars	88
5.3.5 Adjusting or mounting the seat cushion fixation set	91
5.3.6 Mounting the backrest cushion fixation set	92
5.3.7 Mounting the thoracic supports	93
5.3.8 Mounting the (manually elevating) central legrest	94
5.3.9 Mounting the electrically elevating central legrest	96
5.3.10 Replacing the flip up armrest hinge	98
5.3.11 Mounting the standard or swing-away remote holder	100
5.3.12 Mounting the lighting on flip-up armrest	101
5.3.13 Mounting the abduction support	102
5.3.14 Mounting the hemiplegia armrest	104
5.3.15 Mounting the mirror	105
5.3.16 Mounting the positioning belt	107
5.3.17 Mounting the cane holder	108
6 Trouble shooting.....	110
7 Specifications.....	111
7.1 CE declaration of conformity	111
7.2 Technical information Sedeo Lite	111
7.3 Technical information Sedeo Pro	112
8 Warranty.....	114
8.1 Definitions of terms	114
8.2 Warranty period table	114

1 Introduction

1.1 This manual

This manual contains the instructions for repairs and general maintenance of the Sedeo seating system (Sedeo Lite/Pro/Pro+). Mechanics who do repairs on this seating system must be well trained and familiar with the repair methods and the maintenance of the seating system.

Always make sure that the work is carried out safely, particularly with respect to procedures requiring the seating system to be lifted up.

We advise that you contact our service department before doing repair work on a seating system that has been involved in an accident.

The following specifications are important when ordering parts:

- Model
- Year of manufacture
- Identification number
- Part number
- Name of the part concerned

This information is provided on the identification plate. See 'Identification of the product'.

Available documentation

The following technical documentation is available / required to service this seating system:

- User manual
- Service manual

Service and technical support

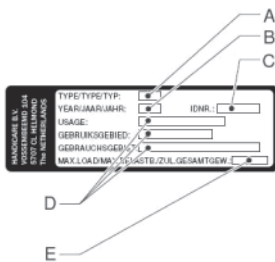
For information concerning specific settings, maintenance or repair works please contact your supplier. He is always prepared to help you.

Ensure you have at hand:

- Model
- Year of manufacture
- Identification number

This information is provided on the identification plate. See 'Identification of the product'.

1.2 Identification of the product



The identification plate contains the following data:

- A. Model
- B. Year of manufacture
- C. Identification number
- D. Use area indoors or outdoors
- E. Maximum load in kg

1.3 Symbols used in this manual

Warning symbol



Follow the instructions next to this symbol closely.

Not paying careful attention to these instructions could result in physical injury or damage to the seating system or the environment.

Reference symbol



The symbol refers to a separate user manual. This reference will indicate the specific user manual and the section to which is being referred.

2 Safety

2.1 Personnel qualification

Service technicians:

Repairs may only be carried out by trained and authorised service technicians.

During the execution of their work, they are at all times fully responsible for the fulfilment of locally applicable safety guidelines and standards.

Temporary employees and persons in training may only carry out repair and replacement work under the supervision of an authorised service technician.

2.2 Cautions and warning statements

⚠ Safety

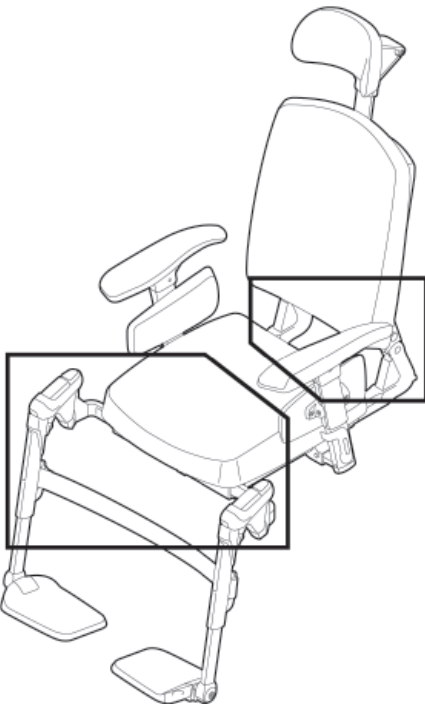
Safety information is indicated with the warning symbol.

- Follow the instructions carefully next to these warning symbols! Not paying careful attention to these instructions could result in physical injury or damage to the seating system or the environment. Where ever possible, safety information is provided in the relevant chapter.

⚠ Temperature

- Avoid physical contact with the seating system's motors at all times. Motors are continuously in motion during use and can reach high temperatures. After use, the motors will cool down slowly. Physical contact could cause burns.
- If you do not use the seating system, ensure that it is not exposed to direct sunlight for lengthy periods of time. Certain parts of the seating system, such as the seat, the back and the armrests can become hot if they have been exposed to full sunlight for too long. This may cause burns or allergic reactions to the skin.

⚠ Moving parts



- A seating system has moving and rotating parts. Contact with moving parts may result in serious physical injury or damage to the seating system. Contact with the moving parts of the seating system should be avoided.
- Electrical backrest adjustment
- Electrical elevating legrests

⚠ Decals and instructions on the seating system

Decals and instructions on the seating system

- The signs, symbols and instructions affixed to the seating system comprise part of the safety facilities. They must never be covered or removed. They must remain present and clearly legible throughout the entire lifespan of the seating system.
- Replace or repair all illegible or damaged signs, symbols and instructions immediately. Please contact your supplier for assistance.

2.3 Used decals on the seating system

Check manual before using



The seating system must not be lifted up by the armrest assembly, complete and/or legrests.



The stability of the seating system is influenced by the adjustment of the seating system's centre of gravity. Such adjustments should be made by professionals only.

3 Tools, parts and components

3.1 Tools

The tools below are needed for various mechanical settings and maintenance:

Quantity	Description	Size (mm)
1	Screwdriver, medium	-
1	Screwdriver, crosshead	-
1	Hammer (plastic)	-
1	Chaser	-
2	Open ended spanner	17
2	Ring spanner	13
1	Torx key	T25, T30
1	Loctite 243	-
#	Tie wraps	

Remark Size: the EU key width (of the relevant tool).

- ⚠ Use only high-quality tools for the adjustment(s) described.
 Make sure that the hexagon of the spanner is attached securely to the hexagon of the fastening article. This prevents the 'rotation' of hexagons of fastening articles and spanners that may affect proper adjustment.

4 Spare parts

4.1 Use of the parts lists

This document is meant as a reference book to be used to order parts for the seating systems that are shown on the front cover.

How to order:

When ordering parts, please specify:

- Serial number (see the identification plate)
- Group (to which the relevant part belongs)
- Article number
- Number of parts required
- Description (in the relevant language)
- Dimensions (if applicable)

Remark:

- If a part does not have a position number, it means that the part concerned cannot be purchased separately. The part concerned is part of the assembly shown. This assembly must be ordered as one piece. It has to be replaced in its entirety.
- Boxed position numbers refer to the relevant drawing.

Order address:

Please mail or fax your orders to your supplier.

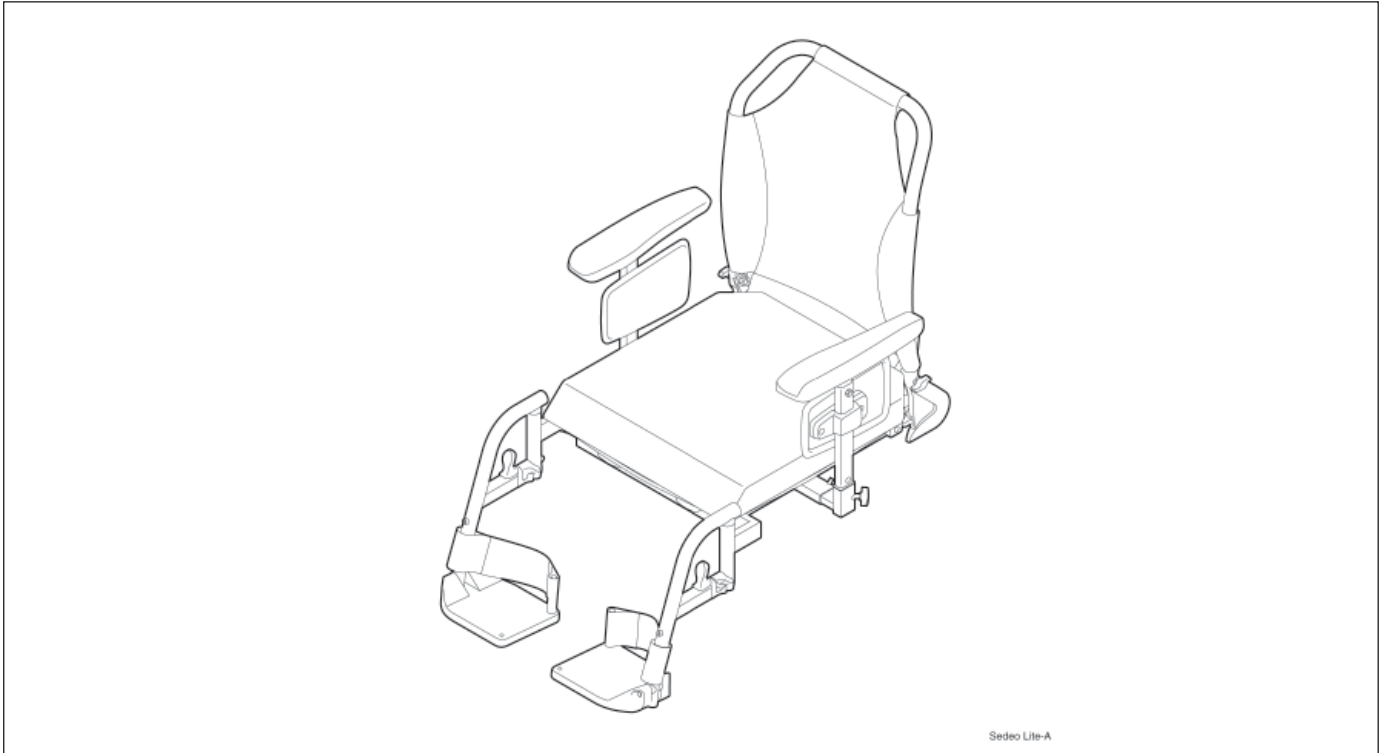
Service technicians:

Repairs may only be carried out by trained and authorised service technicians.

During the execution of their work they are at all times fully responsible for the fulfilment of locally applicable safety guidelines and standards.

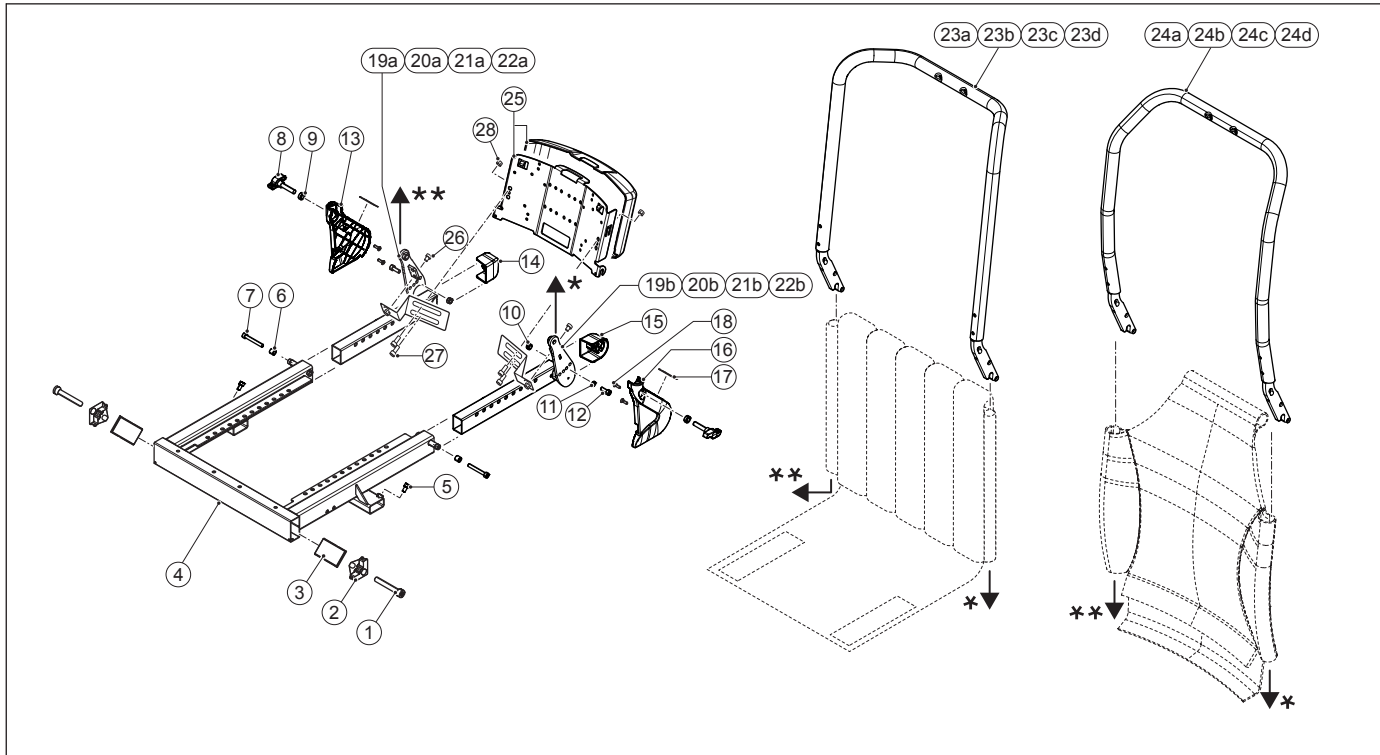
Temporary employees and persons in training may only carry out repair and replacement work under the supervision of an authorised service technician.

4.2 Sedeo Lite



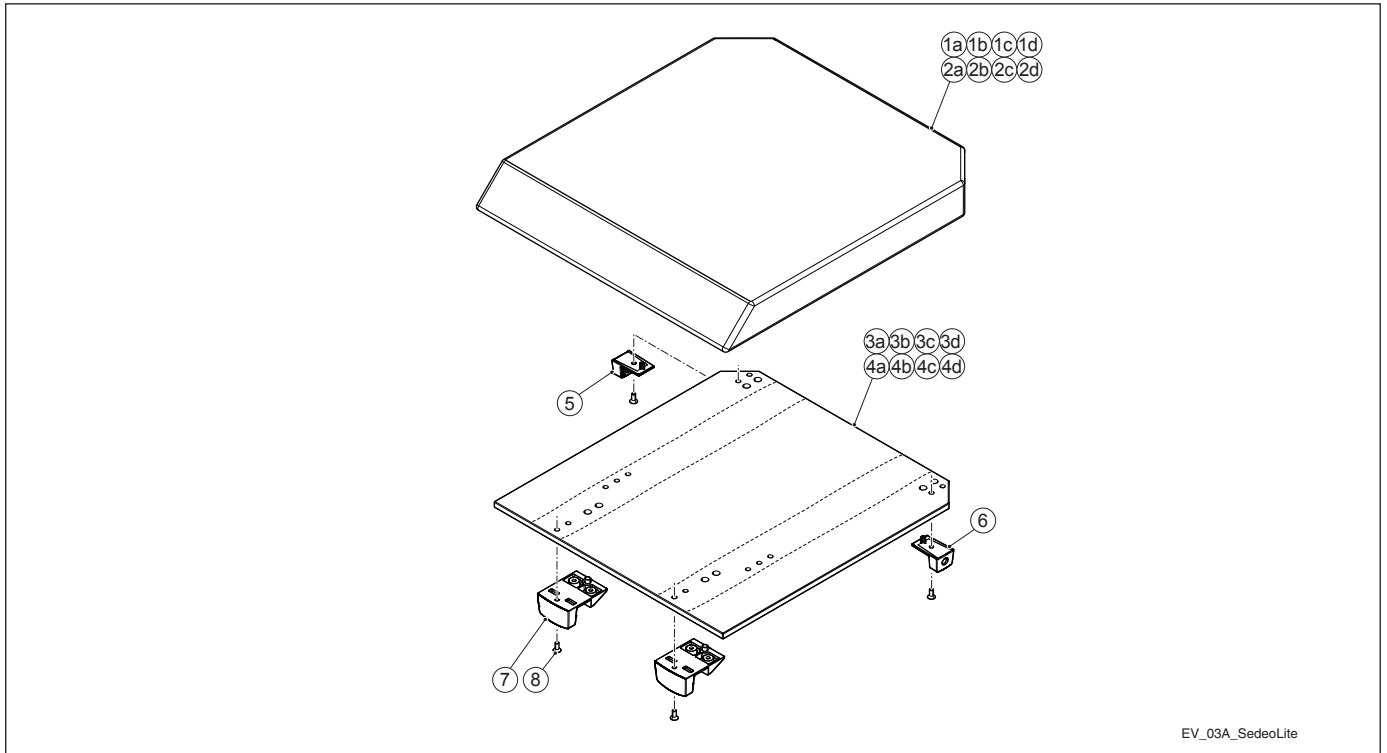
Pos	Description	Page
1	Seat frame	12
2	Seat cushion	13
3	Backrest frame	14
4	Backrest cushion	15
5	Standard legrest	16
6	Comfort legrest	17
7	Removable armrest	18
8	Headrest	19
9	Joystick bracket	20
10	Lighting	21
11	Positioning belt	22

1 Sedeo Lite / Seat frame



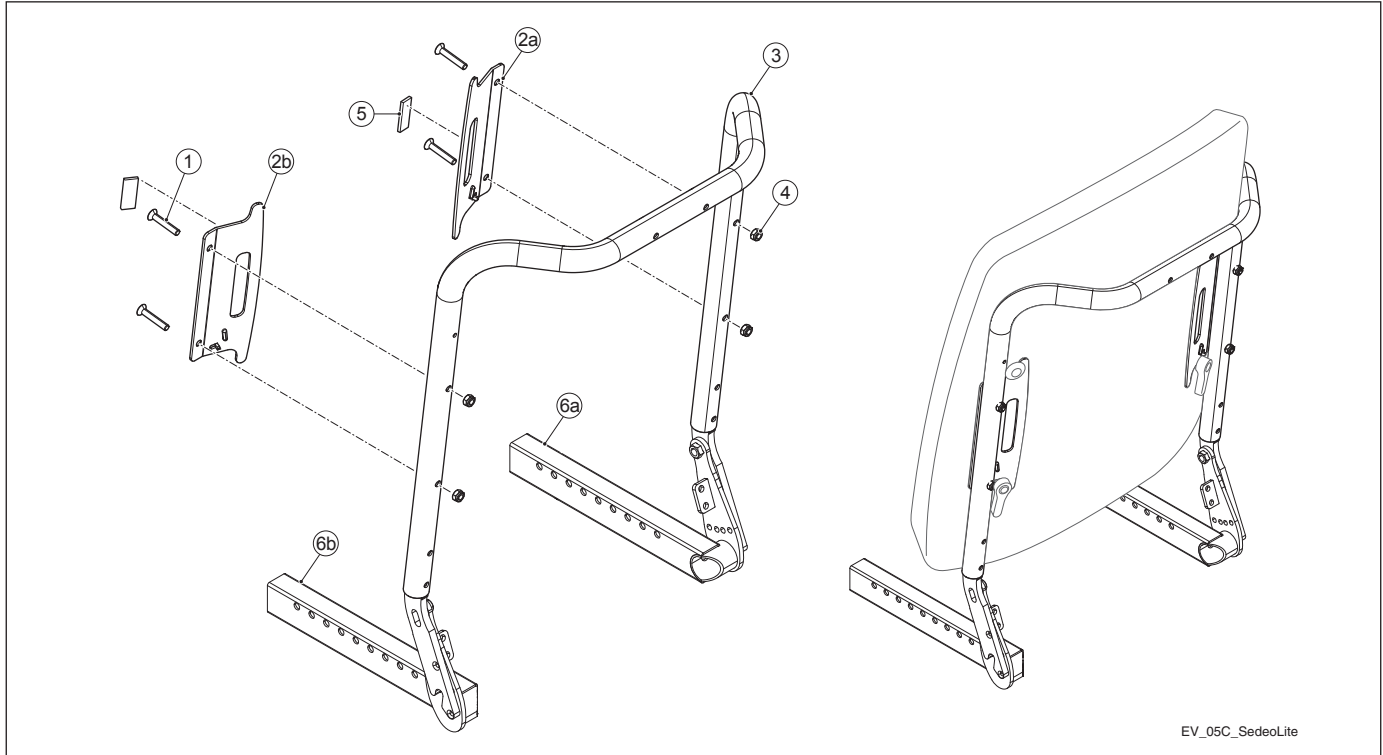
Pos	Qty	Article number	Description
1	2	1015338	Torx iso14579 cil.head M6x50 (100 pieces)
1-3	1	1010873	Legrest clamp, set
1-7	1	1012920	Seat frame
5	2	1015339	Torx socket head screw M6x12 iso10642 (100 pieces)
7	2	1015338	Torx iso14579 cil.head M6x50 (100 pieces)
8,9	1	1012921	Backrest wing bolt set
10	2	-	Lock nut M6 D985/8/VZ
12	2	1015333	Torx socket head screw M6x16 iso14579 Precote 85 (100 pieces)
13-18	1	1012922	Cover set
17	1	9004028	Ref ector sticker red
18	4	1015347	Ejot screw 4x12 WN5454 (100 pieces)
23a	1	1012927	Backrest frame strapped SW 42 cm
23b	1	1012928	Backrest frame strapped SW 45 cm
23c	1	1012929	Backrest frame strapped SW 48 cm
23d	1	1012930	Backrest frame strapped SW 51 cm
24a	1	9006172	Backrest frame sling SW 42 cm
24b	1	9006173	Backrest frame sling SW 45 cm
24c	1	9006174	Backrest frame sling SW 48 cm
24d	1	9006175	Backrest frame sling SW 51 cm
6-12,19a,19b	1	1012923	Backrest hinge set SW 42 cm
6-12,20a,20b	1	1012924	Backrest hinge set SW 45 cm
6-12,21a,21b	1	1012925	Backrest hinge set SW 48 cm
6-12,22a,22b	1	1012926	Backrest hinge set SW 51 cm
6-18,19a,19b,23a	1	1016173	Backrest frame complete with backrest with adjustable straps SW 42 cm
6-18,20a,20b,23b	1	1016174	Backrest frame complete with backrest with adjustable straps SW 45 cm
6-18,21a,21b,23c	1	1016175	Backrest frame complete with backrest with adjustable straps SW 48 cm
6-18,22a,22b,23d	1	1016176	Backrest frame complete with backrest with adjustable straps SW 51 cm
6-18,19a,19b,24a	1	1016177	Backrest frame complete with sling SW 42 cm
6-18,20a,20b,24b	1	1016178	Backrest frame complete with sling SW 45 cm
6-18,21a,21b,24c	1	1016179	Backrest frame complete with sling SW 48 cm
6-18,22a,22b,24d	1	1016180	Backrest frame complete with sling SW 51 cm
25	1	9006188	Electronics box PWC Sedeo Lite
26	2	1015331	Torx socket head screw M6x10 iso 14579 Precote 85 (100 pieces)
27	4	1015330	Torx socket head screw M6x8 iso 14579 Precote 85 (100 pieces)
28	4	-	Lock nut M6 D985/8/VZ

2 Sedeo Lite / Seat cushion



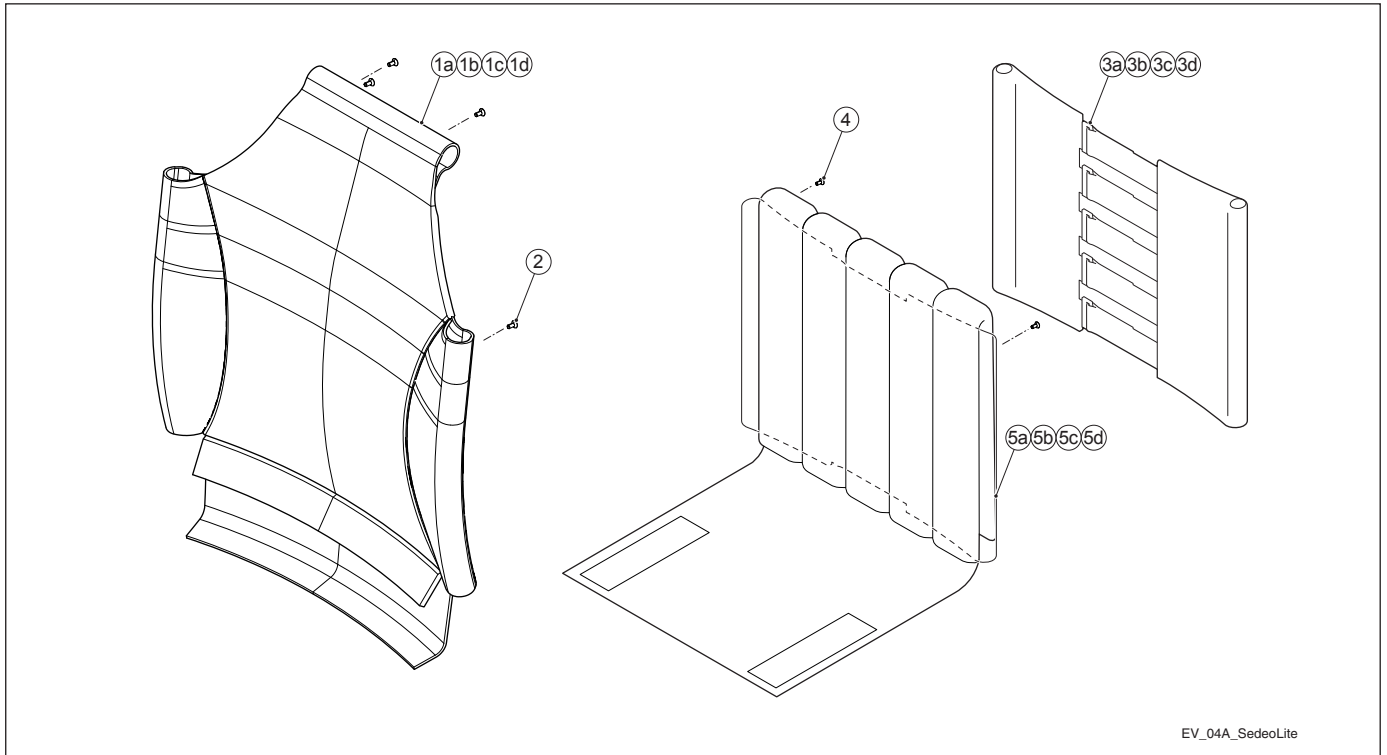
Pos	Qty	Article number	Description
1a	1	3104365	Seat cushion 42x39 cm
1b	1	58602	Seat cushion 45x39 cm
1c	1	58220	Seat cushion 48x39 cm
1d	1	58221	Seat cushion 51x39 cm
2a	1	3104366	Seat cushion 42x45 cm
2b	1	51831	Seat cushion 45x45 cm
2c	1	54526	Seat cushion 48x45 cm
2d	1	54326	Seat cushion 51x45 cm
3a,5-8	1	1012941	Seat board 42x39 cm
3b,5-8	1	1012942	Seat board 45x39 cm
3c,5-8	1	1012943	Seat board 48x39 cm
3d,5-8	1	1012944	Seat board 51x39 cm
4a,5-8	1	1012945	Seat board 42x45 cm
4b,5-8	1	1012946	Seat board 45x45 cm
4c,5-8	1	1012947	Seat board 48x45 cm
4d,5-8	1	1012948	Seat board 51x45 cm
8	4	1015346	Torx socket head screw M5x25 T30 (100 pieces)

3 Sedeo Lite / Backrest frame



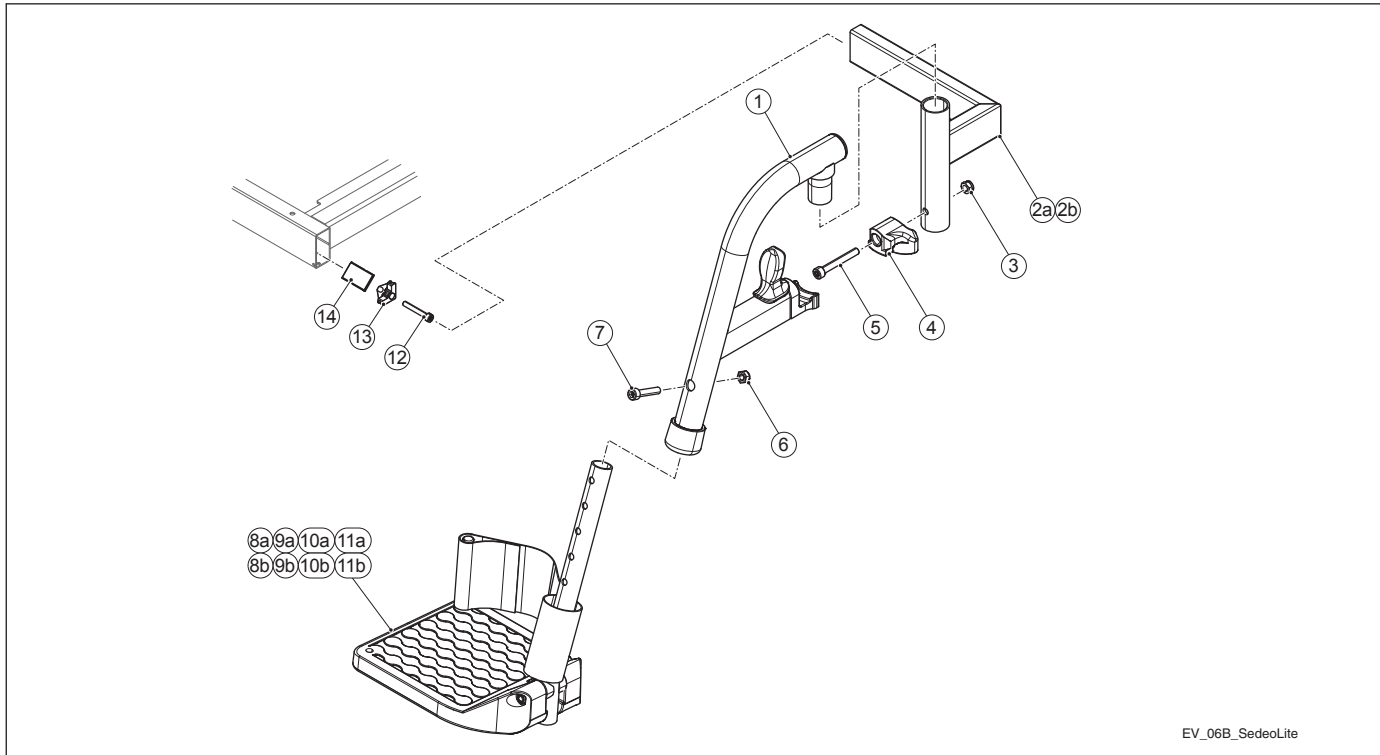
Pos	Qty	Article number	Description
1	4	1015341	Torx Countersunk socket head screw M6x35 din7991T (100 pieces)
1-6b	1	1012961	Comfort Backrest mounting set
1-2b,4,5	1	1014903	Mounting bracket set comfort Backrest for Backrest frame SW 45 cm
4	4	-	Lock nut M6 D985/8/VZ

4 Sedeo Lite / Backrest cushion



Pos	Qty	Article number	Description
1a,2	1	1012950	Backrest sling SW 42 cm
1b,2	1	1012951	Backrest sling SW 45 cm
1c,2	1	1012952	Backrest sling SW 48 cm
1d,2	1	1012953	Backrest sling SW 51 cm
2	4	1015345	Torx countersunk socket head screw M6x8 din7991T (100 pieces)
3a,4,5a	1	1012954	Backrest with adjustable straps SW 42 cm
3b,4,5b	1	1013161	Backrest with adjustable straps SW 45 cm
3c,4,5c	1	1012955	Backrest with adjustable straps SW 48 cm
3d,4,5d	1	1013162	Backrest with adjustable straps SW 51 cm
4	4	1015345	Torx countersunk socket head screw M6x8 din7991T (100 pieces)

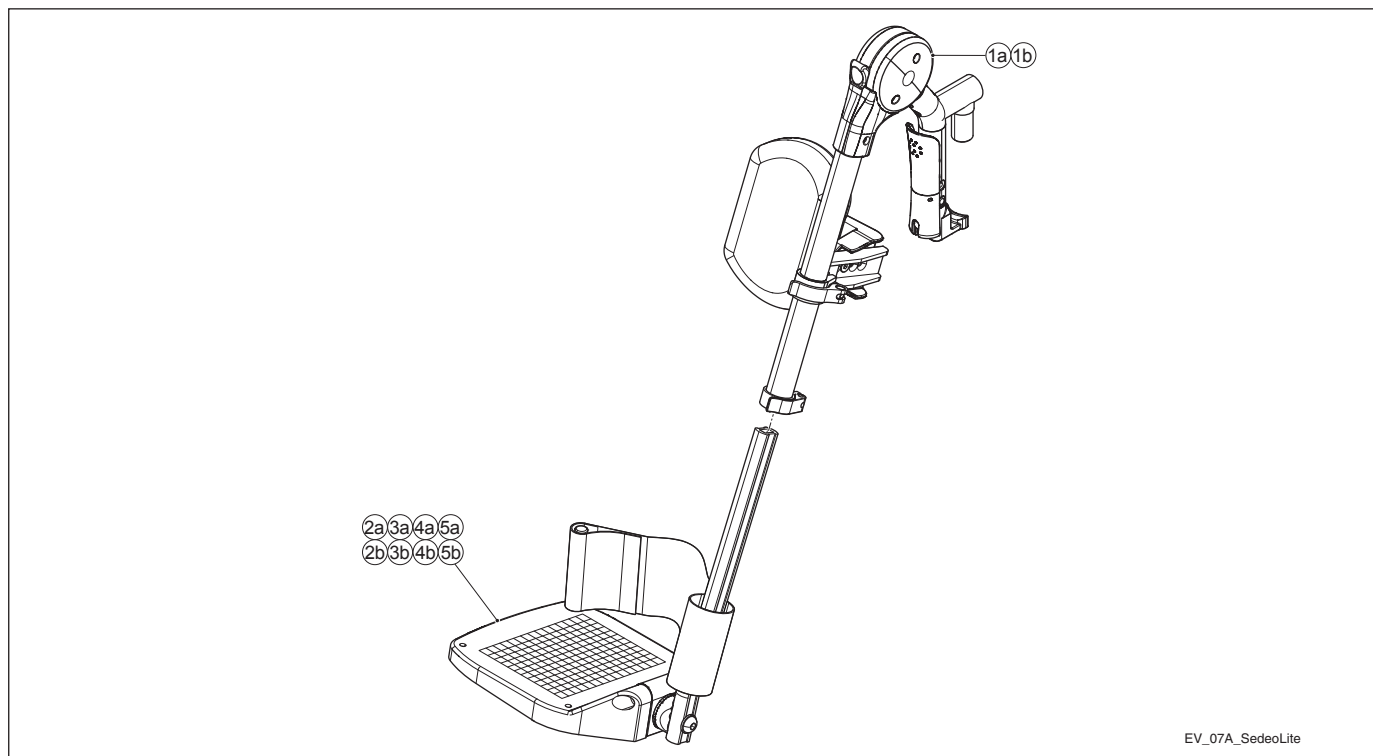
5 Sedeo Lite / Standard legrest



EV_06B_SedeoLite

Pos	Qty	Article number	Description
1	2	1012934	Standard legrest upper part assy
2a-5	1	1012932	Legrest socket, right
2b-5	1	1012931	Legrest socket, left
3	2	-	Lock nut M6 D985/8/VZ
3-5	2	1012933	Fixing for hanger
5	2	1015336	Torx socket head screw M6x40 iso14579 Precote 85 (100 pieces)
6-8a	1	3353418	Footplate with fixed angle and heel strap SW 42 cm, right
6-8b	1	3353419	Footplate with fixed angle and heel strap SW 42 cm, left
6-9a	1	3353420	Footplate with fixed angle and heel strap SW 45 cm, right
6-9b	1	3353421	Footplate with fixed angle and heel strap SW 45 cm, left
6-10a	1	3353422	Footplate with fixed angle and heel strap SW 48 cm, right
6-10b	1	3353423	Footplate with fixed angle and heel strap SW 48 cm, left
6-11a	1	3353424	Footplate with fixed angle and heel strap SW 51 cm, right
6-11b	1	3353425	Footplate with fixed angle and heel strap SW 51 cm, left
6	2	-	Lock nut M6 D985/8/VZ
7	2	-	Socket head screw M6X30 din912
1,6-8a	1	1014019	Standard legrest SW 42 cm, right
1,6-8b	1	1014020	Standard legrest SW 42 cm, left
1,6-9a	1	1014021	Standard legrest SW 45 cm, right
1,6-9b	1	1014022	Standard legrest SW 45 cm, left
1,6-10a	1	1014023	Standard legrest SW 48 cm, right
1,6-10b	1	1014024	Standard legrest SW 48 cm, left
1,6-11a	1	1014025	Standard legrest SW 51 cm, right
1,6-11b	1	1014026	Standard legrest SW 51 cm, left
1-8b	1	1014035	Standard legrest set SW 42 cm
1-9b	1	1014036	Standard legrest set SW 45 cm
1-10b	1	1014037	Standard legrest set SW 48 cm
1-11b	1	1014038	Standard legrest set SW 51 cm
12	2	1015338	Torx socket head screw M6x50 iso 14579 (100 pieces)
12-14	1	1010873	Legrest clamp, set

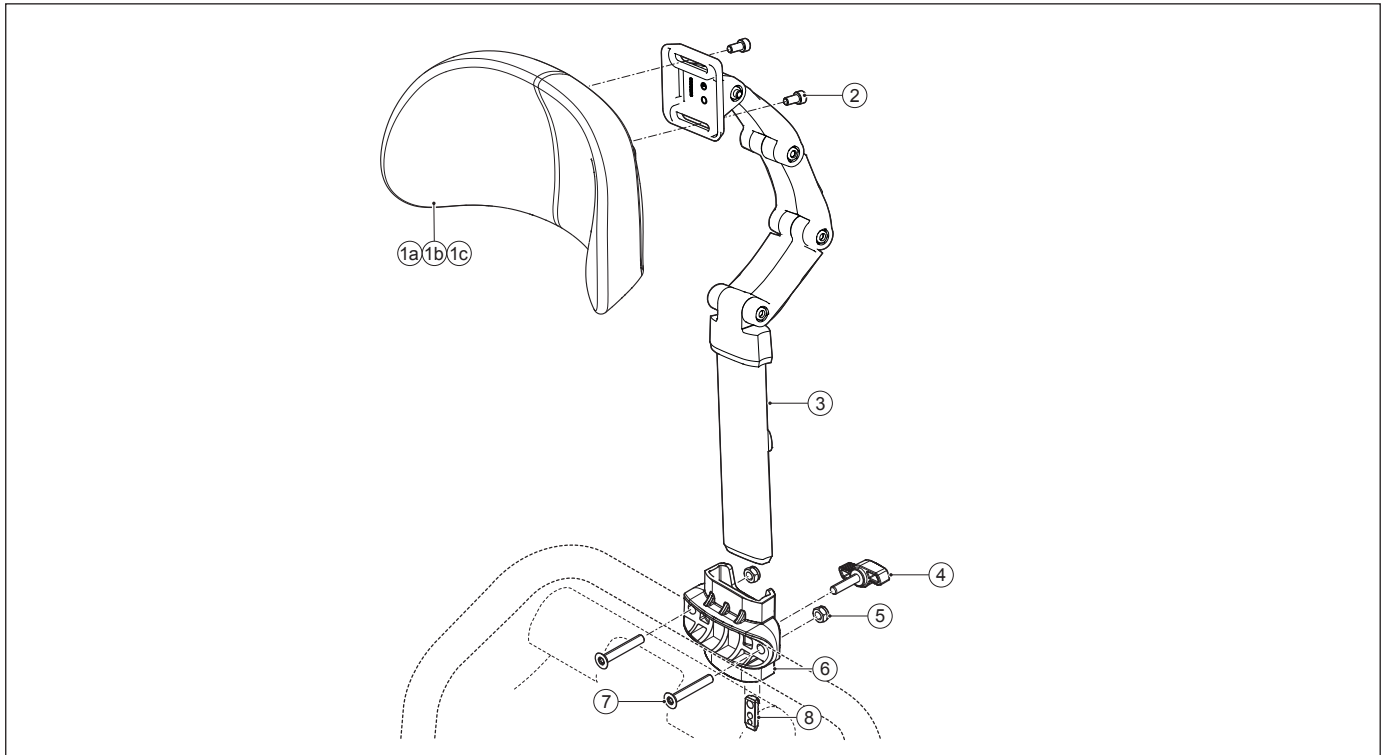
6 Sedeo Lite / Comfort legrest



EV_07A_SedeoLite

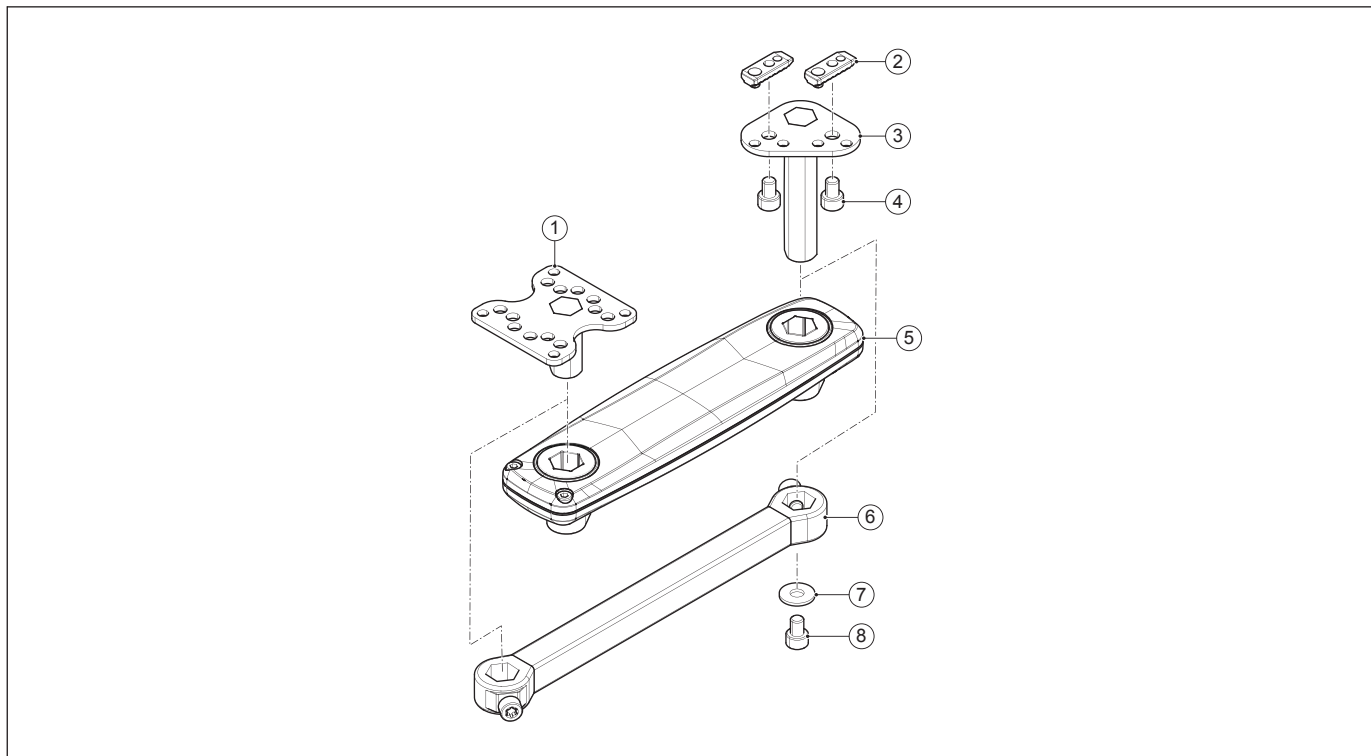
Pos	Qty	Article number	Description
1a	1	3353521	Manually elevating legrest upper part right
1b	1	3353522	Manually elevating legrest upper part left
2a	1	3353318	Footplate angle adjustable with heel strap SW 42 cm right
2b	1	3353319	Footplate angle adjustable with heel strap SW 42 cm left
3a	1	3353320	Footplate angle adjustable with heel strap SW 45 cm right
3b	1	3353321	Footplate angle adjustable with heel strap SW 45 cm left
4a	1	3353322	Footplate angle adjustable with heel strap SW 48 cm right
4b	1	3353323	Footplate angle adjustable with heel strap SW 48 cm left
5a	1	3353324	Footplate angle adjustable with heel strap SW 51 cm right
5b	1	3353325	Footplate angle adjustable with heel strap SW 51 cm left
1a,2a	1	1014027	Comfort legrest SW 42 cm right
1b,2b	1	1014028	Comfort legrest SW 42 cm left
1a,3a	1	1014029	Comfort legrest SW 45 cm right
1b,3b	1	1014030	Comfort legrest SW 45 cm left
1a,4a	1	1014031	Comfort legrest SW 48 cm right
1b,4b	1	1014032	Comfort legrest SW 48 cm left
1a,5a	1	1014033	Comfort legrest SW 51 cm right
1b,5b	1	1014034	Comfort legrest SW 51 cm left
1a,1b,2a,2b	1	1014039	Comfort legrest set SW 42 cm
1a,1b,3a,3b	1	1014040	Comfort legrest set SW 45 cm
1a,1b,4a,4b	1	1014041	Comfort legrest set SW 48 cm
1a,1b,5a,5b	1	1014042	Comfort legrest set SW 51 cm

8 Sedeo Lite / Headrest



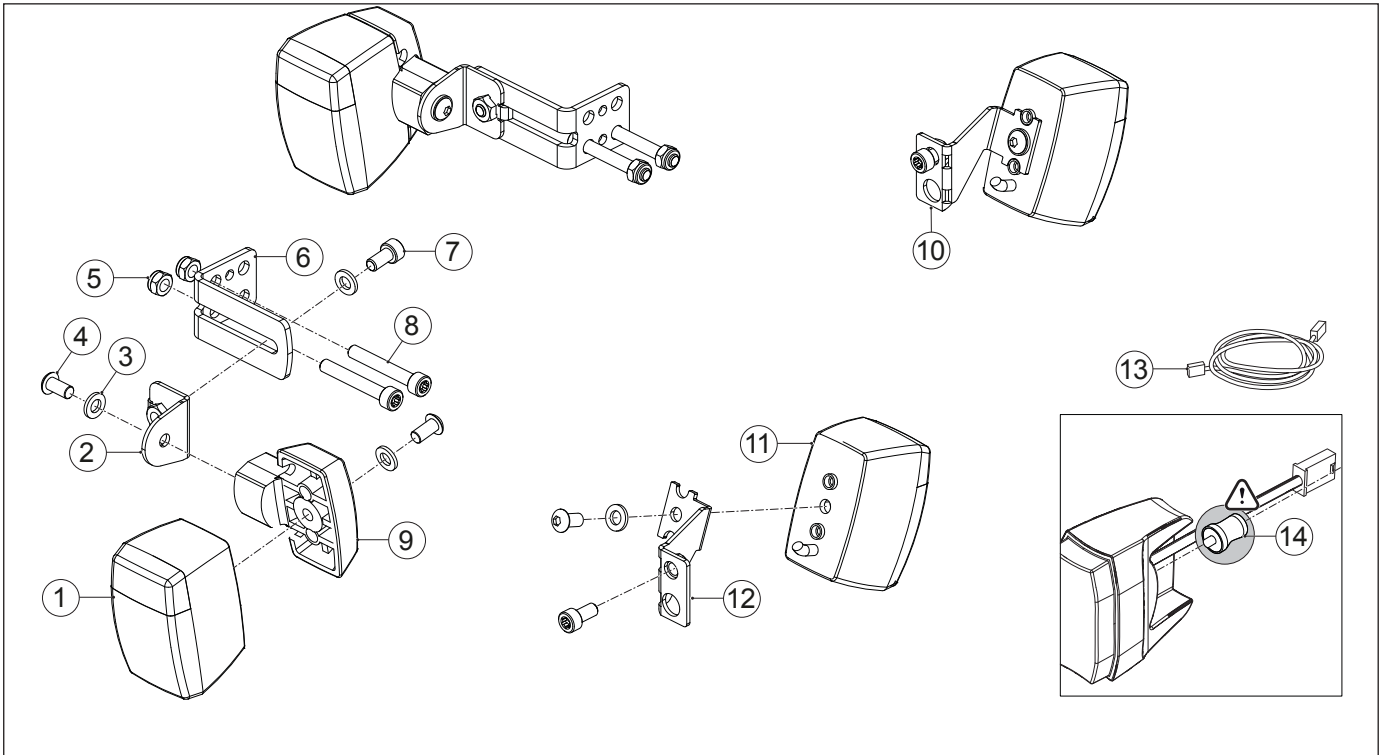
Pos	Qty	Article number	Description
1a,2	1	1010957	Headrest small
1b,2	1	1010996	Headrest large
1c,2	1	1010997	Headrest f exible
2	2	1015339	Torx socket head screw M6x12 iso10642 (100 pieces)
3	1	1010954	Headrest metal parts
4-8	1	1012949	Headrest metal part reciever
5	2	-	Lock nut M6 D985/8/VZ
7	2	1015341	Torx countersunk socket head screw M6x35 din7991T (100 pieces)
1a,2-8	2	1016182	Headrest small with metal parts and reciever Sedeo Lite

9 Sedeo Lite / Joystick bracket

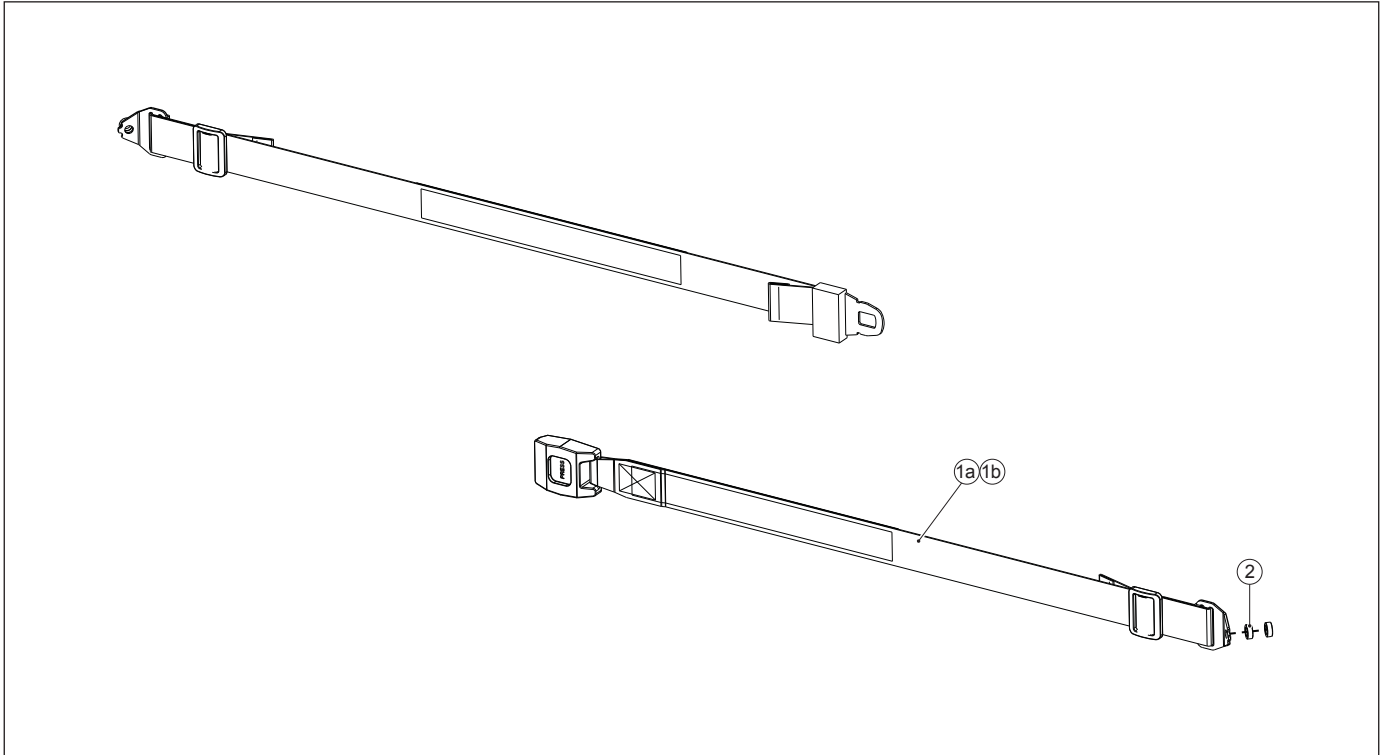


Pos	Qty	Article number	Description
1	1	1010949	Remote interface bracket
2	4	1010881	Clamp nut (10 pieces)
2-4, 7, 8	1	1010950	Remote Armrest bracket
4	2	1015330	Torx socket head screw M6x8 din7984T Precote 85 (100 pieces)
5	1	1010951	Swing-away remote holder
6	1	1010952	Standard remote holder
1-5, 7, 8	1	1011164	Swing-away remote holder complete
1-4, 6-8	1	1011165	Standard remote holder complete
7	1	-	Washer 3xD M6 D9021
8	1	1015331	Torx socket head screw M6x10m iso 14579 Precote 85 (100 pieces)
-	1	0001494	Gear belt 160 XL 3/8" ISO 5296

10 Sedeo Lite / Lighting

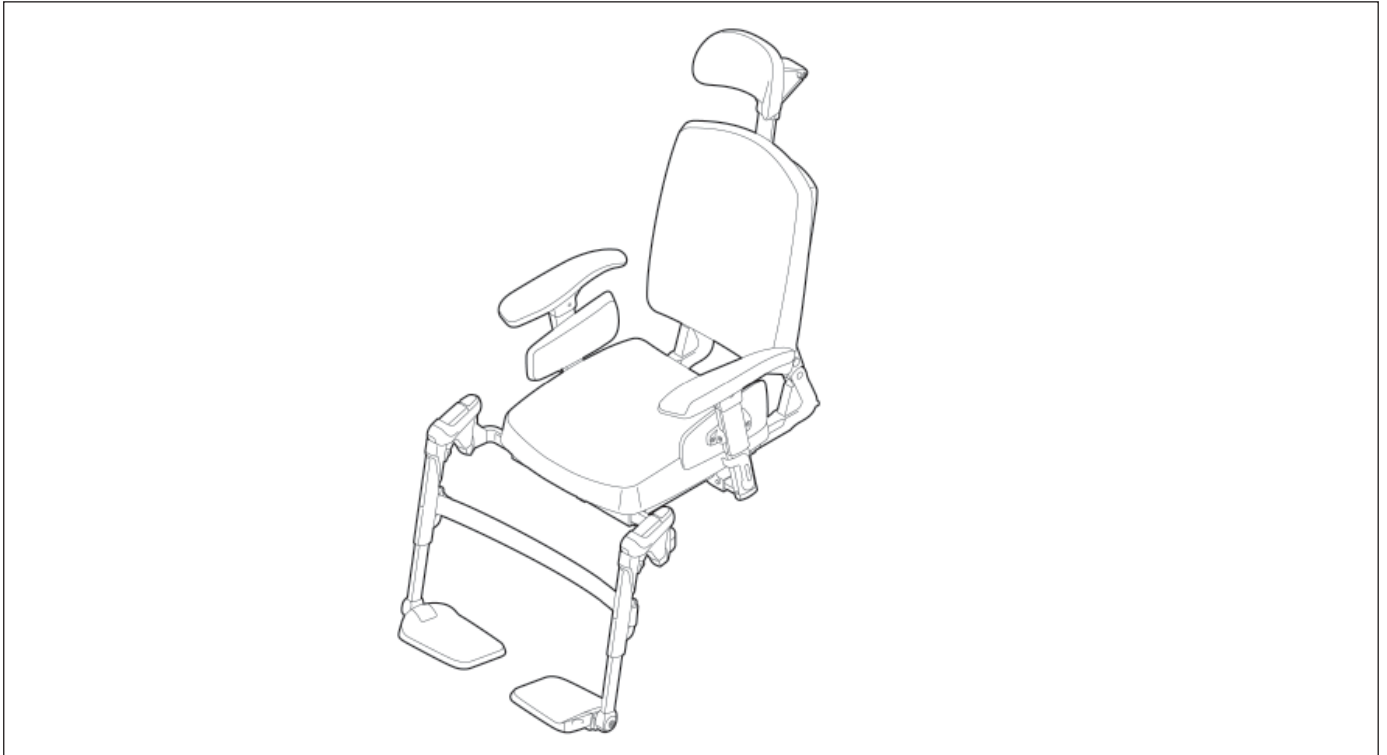


Pos	Qty	Article number	Description
1	2	6002661	Front light module standard
1	2	6000038	Front light module StVZO
1-9	2	1012957	Front light module incl mounting bracket, left = right
1-13	1	1014907	Lighting set Shark
1-13	1	1014908	Lighting set DX2
1-13	1	1014909	Lighting set R-net
1-13	1	1014910	Lighting set VR2
3,4,7,10,11	1	1012959	Rear light module incl mounting bracket, right
3,4,7,11,12	1	1012960	Rear light module incl mounting bracket, left
4	6	-	Buttonhead M6x12 ISO7380
5	4	-	Lock nut M6 D985/8/VZ
7	4	1015331	Torx socket head screw M6x10 iso14579 Precote 85 (100 pieces)
8	4	1015336	Torx socket head screw M6x40 iso14579 Precote 85 (100 pieces)
9	2	6000056	Light rubber mounting unit, left = right
11	2	6000039	Rear light module
13	1	9006302	Lighting harness Shark, no tilt and/or lift
13	1	9006298	Lighting harness Shark with tilt and/or lift
13	1	9006312	Lighting harness DX2, no tilt and/or lift
13	1	9006313	Lighting harness DX2 with tilt and/or lift
13	1	9006331	Lighting harness R-net lighting
13	1	9006332	Lighting harness R-net lighting and horn
13	1	9006333	Lighting harness VR2
14	2	1016517	Rubber damper (10 pieces) for version < July 2015

11 Sedeo Lite / Positioning belt

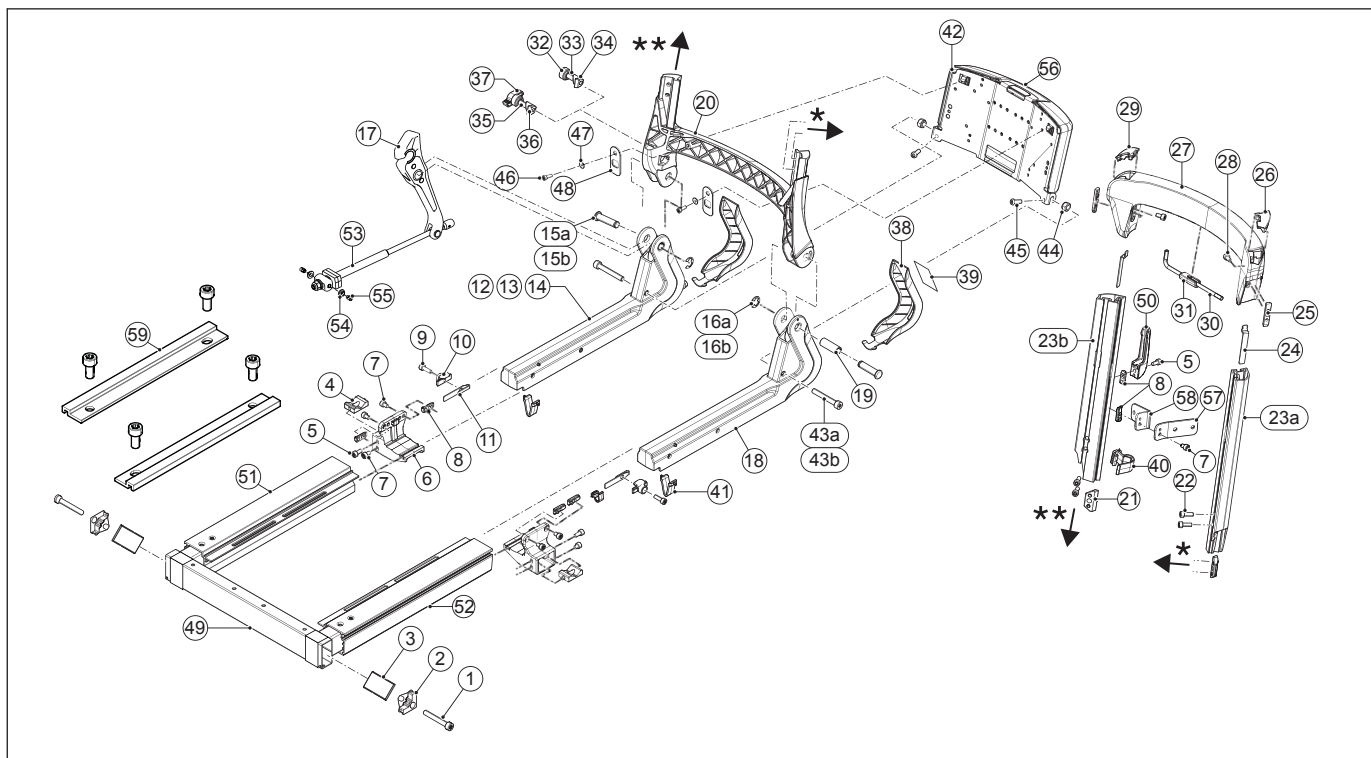
Pos	Qty	Article number	Description
1a,2	1	1010991	Positioning belt short
1b,2	1	1010992	Positioning belt long
2	4	-	Distance bush 13,5 x 8,5 x 5 mm

4.3 Sedeo Pro



Pos	Description	Page
12	Sedeo Pro / Seat frame	24
13	Sedeo Pro / Push bar	26
14	Sedeo Pro / Seat cushion	27
15	Sedeo Pro / Backrest	37
16	Sedeo Pro / Backrest flexible	42
17	Sedeo Original / Mounting bracket for legrest	46
18	Mounting bracket for heavy duty legrest	47
19	Sedeo Original / Standard legrest	48
20	Sedeo Original / Manually elevating legrest	50
21	Sedeo Original / Electrically elevating legrest	52
22	Standard heavy duty legrest	54
23	Comfort heavy duty legrest	55
24	Sedeo Pro / Central legrest	56
25	Sedeo Pro / Manually elevating central legrest	57
26	Sedeo Pro / Electrically elevating central legrest	58
27	Sedeo Pro / Removable armrest	59
28	Sedeo Pro / Flip up armrest	60
29	Sedeo Pro / Headrest	61
30	Sedeo Pro / Joystick bracket	62
31	Sedeo Pro / Lighting on flip up armrest	63
32	Sedeo Pro / Lighting on seat frame	64
33	Sedeo Pro / Abduction support	65
34	Sedeo Pro / Hemiplegia armrest - Side cushions wedge shaped - Mirror - Armrest bag	66
35	Sedeo Pro / Positioning belt - Cane holder - Thigh support	67
36	Sedeo Pro / Worktops manual wheelchair	68
37	Sedeo Pro / Worktops power wheelchair	69
38	Sedeo Pro / Third party backrest	70

12 Sedeo Pro / Seat frame

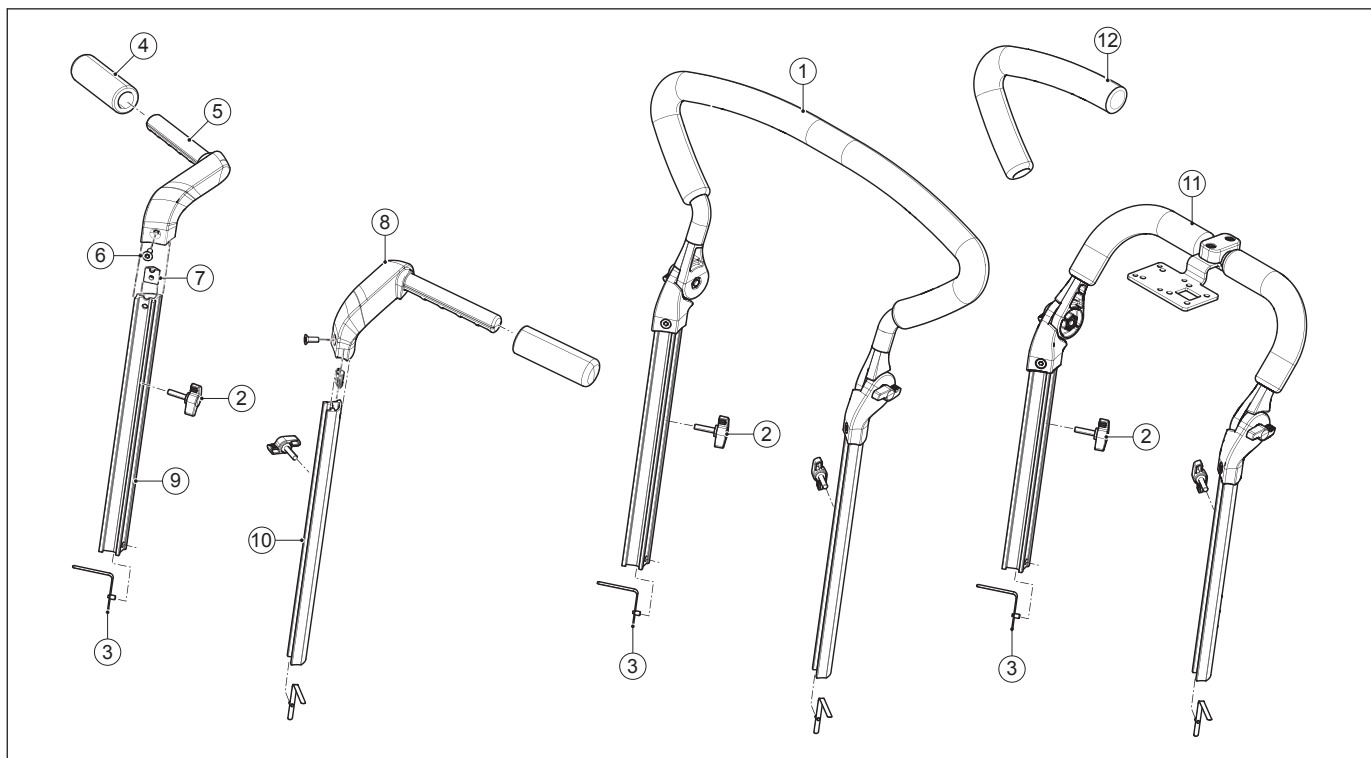


Pos	Qty	Article no	Description
1	2	1015338	Torx iso14579 cil.head M6x50 (100 pieces)
1-3	2	1010873	Legrest clamp, set
4-8	1	1010880	Armrest holder
4-11,13,15a,16a,17-36,38,39, 41,49,51,52	1	1016184	Seat frame complete with backrest with gasspring
4-11,13,15a,16a,17-31,35-39, 41,49,51,52	1	1016193	Seat frame complete with backrest with gasspring with foldable clamp, set
4-11,14,15a,16a,17-36,38,39, 41,49,51,52	1	1016185	Seat frame complete with backrest electrical
4-11,14,15a,16a,17-31,35-39, 41,49,51,52	1	1016194	Seat frame complete with backrest electrical with foldable clamp, set
4-12,15b,16b,17-36,38,39, 41,49,51-55	1	1016183	Seat frame complete with backrest mechanical
4-12,15b,16b,17-31,35-39, 41,49,51-55	1	1016192	Seat frame complete with backrest mechanical with foldable clamp, set
5	2	1015332	Torx socket head screw M6x12 iso14579 Precote 85 (100 pieces)
7	5	1015330	Torx socket head screw M6x8 din7984T Precote 85 (100 pieces)
8	2	1010881	Clamp nut (10 pieces)
9	2	1015333	Torx socket head screw M6x16 iso14579 Precote 85 (100 pieces)
9-11	1	1010876	Seat depth fixation (2 pieces)
12,15b,16b,17,19,41,53-55	1	1010874	Backrest slider mechanical, right
12,15b,16b,17-29,32-36, 41,53-55	1	1010879	Backrest mechanical
13,15a,16a,17,19,41	1	1010964	Backrest slider gasspring, right
13,15a,16a,17-29,32-36,41	1	1011160	Backrest with gasspring
14,15a,16a,17,19,41	1	1010965	Backrest slider electrical
14,15a,16a,17-29,32-36,41	1	1011161	Backrest electrical
15a,16a	2	1017875	Hinge axis for gasspring / electrical backrest, set
15b,16b	2	1017876	Hinge axis for mechanical backrest, set
15a+b,16a+b,18,19,41	1	1010875	Backrest slider, left
17	1	9010232	Backrest lever
17,53-55	1	1016687	Backrest shaft mechanical
21-22	2	1010883	Backrest profile clamp, set
22	4	1015333	Torx socket head screw M6x16 iso14579 Precote 85 (100 pieces)
24-29	1	1010878	Backrest frame upper part
25	2	1015133	Clamp nut profile for backrest frame (10 pieces)

Continued from 12 Sedeo Pro / Seat frame

Pos	Qty	Article no	Description
26,29	1	1010895	Cover Backrest frame (set, left = right)
28	2	1015331	Torx socket head screw M6x10 iso14579 Precote 85 (100 pieces)
30,31	1	1010884	Adjusting tool set, Torx
32-34	1	1010882	Backrest clamp, set
35-37	1	1010887	Foldable backrest clamp, set
38-39	2	1010885	Backrest angle adjustment cover
39	2	9004028	Ref ector label red
40	8	1010877	Cable f xations (10 pieces)
41	2	9004359	Slider locking clip
42-48	1	9005131	Electronics box PWC
43a	2	-	Socket head screw M8x50 DIN912
43b	2	-	Socket head screw M8x60 DIN912
44	2	-	Locking nut M8 D985/8/VZ
45	2	-	Buttonhead M5x10
46	2	1015794	Ejot 50x16 (100 pieces)
46-48	2	1015793	Mounting set electronics box
49	1	9003096	Legrest bracket
50,5,8	1	1012271	Bag hook
51	1	9003099	Seat frame prof le right
52	1	9003100	Seat frame prof le left
56	1	9005583	Cover for electronics box
57,7,8	1	1017910	Adapter bracket 0 degrees, set
58,7,8	1	1017911	Adapter bracket 90 degrees, set
59	1	1018110	Interface clamp set, Sedeo Pro
-	-	9010335	Upgrade set Sedeo Pro 2.0
20	1	9003102	Backrest hinge part
-	1	1016736	Back rest slider right with gasspring, operated by user right
-	1	1016737	Back rest slider right with gasspring, operated by user left
-	1	1016741	Control for gasspring backrest, operated by user left
-	1	1016742	Control for gasspring backrest, operated by user right

13 Sedeo Pro / Push bar



Pos	Qty	Article number	Description
1-3,12	1	1010998	Push bar, angle adjustable
2,3,11,12	1	1012272	Push bar for attendant control
2-7,9	1	1010890	Push handle, right
2-4,6-8,10	1	1010891	Push handle, left
2	2	1010894	Wing screw M6x25 (10 pieces)
3	2	1010893	Push handle locking clip
4	1	1010892	Push grip (set of 2)
6	2	1015340	Torx countersunk socket head screw M6x20 iso10642 Precote 85 (100 pieces)
12	2	9004109	Foam for push bar, angle adjustable, Sedeo Pro

Continued from 14 Sedeo Pro / Seat cushion

Pos	Qty	Article number	Description
1-5,7,8	1	1011666	Seat cushion padded 50x50 Comfort
1-5,7,8	1	1011667	Seat cushion padded 50x54 Comfort
1-5,7,8	1	1011668	Seat cushion padded 50x58 Comfort
1-5,7,8	1	1011669	Seat cushion padded 54x50 Comfort
1-5,7,8	1	1011670	Seat cushion padded 54x54 Comfort
1-5,7,8	1	1011671	Seat cushion padded 54x58 Comfort
7-8	1	9004861	Cover seat cushion padded 42x50 Comfort
7-8	1	9004862	Cover seat cushion padded 42x54 Comfort
7-8	1	9004863	Cover seat cushion padded 42x58 Comfort
7-8	1	9004864	Cover seat cushion padded 46x50 Comfort
7-8	1	9004865	Cover seat cushion padded 46x54 Comfort
7-8	1	9004866	Cover seat cushion padded 46x58 Comfort
7-8	1	9004867	Cover seat cushion padded 50x50 Comfort
7-8	1	9004868	Cover seat cushion padded 50x54 Comfort
7-8	1	9004869	Cover seat cushion padded 50x58 Comfort
7-8	1	9004870	Cover seat cushion padded 54x50 Comfort
7-8	1	9004871	Cover seat cushion padded 54x54 Comfort
7-8	1	9004872	Cover seat cushion padded 54x58 Comfort
7	1	9005515	Top cover seat cushion padded 42x50 Comfort
7	1	9005516	Top cover seat cushion padded 42x54 Comfort
7	1	9005517	Top cover seat cushion padded 42x58 Comfort
7	1	9005518	Top cover seat cushion padded 46x50 Comfort
7	1	9005519	Top cover seat cushion padded 46x54 Comfort
7	1	9005520	Top cover seat cushion padded 46x58 Comfort
7	1	9005521	Top cover seat cushion padded 50x50 Comfort
7	1	9005522	Top cover seat cushion padded 50x54 Comfort
7	1	9005523	Top cover seat cushion padded 50x58 Comfort
7	1	9005524	Top cover seat cushion padded 54x50 Comfort
7	1	9005525	Top cover seat cushion padded 54x54 Comfort
7	1	9005526	Top cover seat cushion padded 54x58 Comfort
1-6	1	1011738	Seat cushion memory foam 42x50 Stretch Rubber
1-6	1	1011739	Seat cushion memory foam 42x54 Stretch Rubber
1-6	1	1011740	Seat cushion memory foam 42x58 Stretch Rubber
1-6	1	1011741	Seat cushion memory foam 46x50 Stretch Rubber
1-6	1	1011742	Seat cushion memory foam 46x54 Stretch Rubber
1-6	1	1011743	Seat cushion memory foam 46x58 Stretch Rubber
1-6	1	1011744	Seat cushion memory foam 50x50 Stretch Rubber
1-6	1	1011745	Seat cushion memory foam 50x54 Stretch Rubber
1-6	1	1011746	Seat cushion memory foam 50x58 Stretch Rubber
1-6	1	1011747	Seat cushion memory foam 54x50 Stretch Rubber
1-6	1	1011748	Seat cushion memory foam 54x54 Stretch Rubber
1-6	1	1011749	Seat cushion memory foam 54x58 Stretch Rubber
6	1	9004897	Cover seat cushion memory foam 42x50 Stretch Rubber
6	1	9004898	Cover seat cushion memory foam 42x54 Stretch Rubber
6	1	9004899	Cover seat cushion memory foam 42x58 Stretch Rubber
6	1	9004900	Cover seat cushion memory foam 46x50 Stretch Rubber
6	1	9004901	Cover seat cushion memory foam 46x54 Stretch Rubber
6	1	9004902	Cover seat cushion memory foam 46x58 Stretch Rubber
6	1	9004903	Cover seat cushion memory foam 50x50 Stretch Rubber
6	1	9004904	Cover seat cushion memory foam 50x54 Stretch Rubber
6	1	9004905	Cover seat cushion memory foam 50x58 Stretch Rubber
6	1	9004906	Cover seat cushion memory foam 54x50 Stretch Rubber
6	1	9004907	Cover seat cushion memory foam 54x54 Stretch Rubber
6	1	9004908	Cover seat cushion memory foam 54x58 Stretch Rubber
1-5,7,8	1	1011672	Seat cushion memory foam 42x50 Comfort
1-5,7,8	1	1011674	Seat cushion memory foam 42x54 Comfort
1-5,7,8	1	1011675	Seat cushion memory foam 42x58 Comfort
1-5,7,8	1	1011676	Seat cushion memory foam 46x50 Comfort

Continued from 14 Sedeo Pro / Seat cushion

Pos	Qty	Article number	Description
1-5,7,8	1	1011677	Seat cushion memory foam 46x54 Comfort
1-5,7,8	1	1011678	Seat cushion memory foam 46x58 Comfort
1-5,7,8	1	1011679	Seat cushion memory foam 50x50 Comfort
1-5,7,8	1	1011680	Seat cushion memory foam 50x54 Comfort
1-5,7,8	1	1011681	Seat cushion memory foam 50x58 Comfort
1-5,7,8	1	1011682	Seat cushion memory foam 54x50 Comfort
1-5,7,8	1	1011683	Seat cushion memory foam 54x54 Comfort
1-5,7,8	1	1011684	Seat cushion memory foam 54x58 Comfort
7-8	1	9004885	Cover seat cushion memory foam 42x50 Comfort
7-8	1	9004886	Cover seat cushion memory foam 42x54 Comfort
7-8	1	9004887	Cover seat cushion memory foam 42x58 Comfort
7-8	1	9004888	Cover seat cushion memory foam 46x50 Comfort
7-8	1	9004889	Cover seat cushion memory foam 46x54 Comfort
7-8	1	9004890	Cover seat cushion memory foam 46x58 Comfort
7-8	1	9004891	Cover seat cushion memory foam 50x50 Comfort
7-8	1	9004892	Cover seat cushion memory foam 50x54 Comfort
7-8	1	9004893	Cover seat cushion memory foam 50x58 Comfort
7-8	1	9004894	Cover seat cushion memory foam 54x50 Comfort
7-8	1	9004895	Cover seat cushion memory foam 54x54 Comfort
7-8	1	9004896	Cover seat cushion memory foam 54x58 Comfort
7	1	9005527	Top cover seat cushion memory foam 42x50 Comfort
7	1	9005528	Top cover seat cushion memory foam 42x54 Comfort
7	1	9005529	Top cover seat cushion memory foam 42x58 Comfort
7	1	9005530	Top cover seat cushion memory foam 46x50 Comfort
7	1	9005531	Top cover seat cushion memory foam 46x54 Comfort
7	1	9005532	Top cover seat cushion memory foam 46x58 Comfort
7	1	9005533	Top cover seat cushion memory foam 50x50 Comfort
7	1	9005534	Top cover seat cushion memory foam 50x54 Comfort
7	1	9005535	Top cover seat cushion memory foam 50x58 Comfort
7	1	9005536	Top cover seat cushion memory foam 54x50 Comfort
7	1	9005537	Top cover seat cushion memory foam 54x54 Comfort
7	1	9005538	Top cover seat cushion memory foam 54x58 Comfort
1-6	1	1011751	Seat cushion support 42x50 Stretch Rubber
1-6	1	1011752	Seat cushion support 42x54 Stretch Rubber
1-6	1	1011753	Seat cushion support 42x58 Stretch Rubber
1-6	1	1011754	Seat cushion support 46x50 Stretch Rubber
1-6	1	1011755	Seat cushion support 46x54 Stretch Rubber
1-6	1	1011756	Seat cushion support 46x58 Stretch Rubber
1-6	1	1011757	Seat cushion support 50x50 Stretch Rubber
1-6	1	1011758	Seat cushion support 50x54 Stretch Rubber
1-6	1	1011759	Seat cushion support 50x58 Stretch Rubber
1-6	1	1011760	Seat cushion support 54x50 Stretch Rubber
1-6	1	1011761	Seat cushion support 54x54 Stretch Rubber
1-6	1	1011762	Seat cushion support 54x58 Stretch Rubber
6	1	9004921	Cover seat cushion support 42x50 Stretch Rubber
6	1	9004922	Cover seat cushion support 42x54 Stretch Rubber
6	1	9004923	Cover seat cushion support 42x58 Stretch Rubber
6	1	9004924	Cover seat cushion support 46x50 Stretch Rubber
6	1	9004925	Cover seat cushion support 46x54 Stretch Rubber
6	1	9004926	Cover seat cushion support 46x58 Stretch Rubber
6	1	9004927	Cover seat cushion support 50x50 Stretch Rubber
6	1	9004928	Cover seat cushion support 50x54 Stretch Rubber
6	1	9004929	Cover seat cushion support 50x58 Stretch Rubber
6	1	9004930	Cover seat cushion support 54x50 Stretch Rubber
6	1	9004931	Cover seat cushion support 54x54 Stretch Rubber
6	1	9004932	Cover seat cushion support 54x58 Stretch Rubber
1-5,7,8	1	1011685	Seat cushion support 42x50 Comfort
1-5,7,8	1	1011686	Seat cushion support 42x54 Comfort

Continued from 14 Sedeo Pro / Seat cushion

Pos	Qty	Article number	Description
1-5,7,8	1	1011687	Seat cushion support 42x58 Comfort
1-5,7,8	1	1011688	Seat cushion support 46x50 Comfort
1-5,7,8	1	1011689	Seat cushion support 46x54 Comfort
1-5,7,8	1	1011690	Seat cushion support 46x58 Comfort
1-5,7,8	1	1011691	Seat cushion support 50x50 Comfort
1-5,7,8	1	1011692	Seat cushion support 50x54 Comfort
1-5,7,8	1	1011693	Seat cushion support 50x58 Comfort
1-5,7,8	1	1011694	Seat cushion support 54x50 Comfort
1-5,7,8	1	1011695	Seat cushion support 54x54 Comfort
1-5,7,8	1	1011696	Seat cushion support 54x58 Comfort
7-8	1	9004909	Cover seat cushion support 42x50 Comfort
7-8	1	9004910	Cover seat cushion support 42x54 Comfort
7-8	1	9004911	Cover seat cushion support 42x58 Comfort
7-8	1	9004912	Cover seat cushion support 46x50 Comfort
7-8	1	9004913	Cover seat cushion support 46x54 Comfort
7-8	1	9004914	Cover seat cushion support 46x58 Comfort
7-8	1	9004915	Cover seat cushion support 50x50 Comfort
7-8	1	9004916	Cover seat cushion support 50x54 Comfort
7-8	1	9004917	Cover seat cushion support 50x58 Comfort
7-8	1	9004918	Cover seat cushion support 54x50 Comfort
7-8	1	9004919	Cover seat cushion support 54x54 Comfort
7-8	1	9004920	Cover seat cushion support 54x58 Comfort
7	1	9005539	Top cover seat cushion support 42x50 Comfort
7	1	9005540	Top cover seat cushion support 42x54 Comfort
7	1	9005541	Top cover seat cushion support 42x58 Comfort
7	1	9005542	Top cover seat cushion support 46x50 Comfort
7	1	9005543	Top cover seat cushion support 46x54 Comfort
7	1	9005544	Top cover seat cushion support 46x58 Comfort
7	1	9005545	Top cover seat cushion support 50x50 Comfort
7	1	9005546	Top cover seat cushion support 50x54 Comfort
7	1	9005547	Top cover seat cushion support 50x58 Comfort
7	1	9005548	Top cover seat cushion support 54x50 Comfort
7	1	9005549	Top cover seat cushion support 54x54 Comfort
7	1	9005550	Top cover seat cushion support 54x58 Comfort
1-5,7,8	1	1017175	Seat cushion support 42x50 Comfort with red stitching
1-5,7,8	1	1017176	Seat cushion support 42x54 Comfort with red stitching
1-5,7,8	1	1017177	Seat cushion support 42x58 Comfort with red stitching
1-5,7,8	1	1017178	Seat cushion support 46x50 Comfort with red stitching
1-5,7,8	1	1017179	Seat cushion support 46x54 Comfort with red stitching
1-5,7,8	1	1017180	Seat cushion support 46x58 Comfort with red stitching
1-5,7,8	1	1017181	Seat cushion support 50x50 Comfort with red stitching
1-5,7,8	1	1017182	Seat cushion support 50x54 Comfort with red stitching
1-5,7,8	1	1017183	Seat cushion support 50x58 Comfort with red stitching
1-5,7,8	1	1017184	Seat cushion support 54x50 Comfort with red stitching
1-5,7,8	1	1017185	Seat cushion support 54x54 Comfort with red stitching
1-5,7,8	1	1017186	Seat cushion support 54x58 Comfort with red stitching
1-6	1	1011763	Seat cushion support TR with memory foam 42x50 Stretch Rubber
1-6	1	1011764	Seat cushion support TR with memory foam 42x54 Stretch Rubber
1-6	1	1011765	Seat cushion support TR with memory foam 42x58 Stretch Rubber
1-6	1	1011766	Seat cushion support TR with memory foam 46x50 Stretch Rubber
1-6	1	1011767	Seat cushion support TR with memory foam 46x54 Stretch Rubber
1-6	1	1011768	Seat cushion support TR with memory foam 46x58 Stretch Rubber
1-6	1	1011769	Seat cushion support TR with memory foam 50x50 Stretch Rubber
1-6	1	1011770	Seat cushion support TR with memory foam 50x54 Stretch Rubber
1-6	1	1011771	Seat cushion support TR with memory foam 50x58 Stretch Rubber
1-6	1	1011772	Seat cushion support TR with memory foam 54x50 Stretch Rubber
1-6	1	1011773	Seat cushion support TR with memory foam 54x54 Stretch Rubber
1-6	1	1011774	Seat cushion support TR with memory foam 54x58 Stretch Rubber

Continued from 14 Sedeo Pro / Seat cushion

Pos	Qty	Article number	Description
6	1	9005007	Cover seat cushion support TR with memory foam 42x50 Stretch Rubber
6	1	9005008	Cover seat cushion support TR with memory foam 42x54 Stretch Rubber
6	1	9005009	Cover seat cushion support TR with memory foam 42x58 Stretch Rubber
6	1	9005010	Cover seat cushion support TR with memory foam 46x50 Stretch Rubber
6	1	9005011	Cover seat cushion support TR with memory foam 46x54 Stretch Rubber
6	1	9005012	Cover seat cushion support TR with memory foam 46x58 Stretch Rubber
6	1	9005013	Cover seat cushion support TR with memory foam 50x50 Stretch Rubber
6	1	9005014	Cover seat cushion support TR with memory foam 50x54 Stretch Rubber
6	1	9005015	Cover seat cushion support TR with memory foam 50x58 Stretch Rubber
6	1	9005016	Cover seat cushion support TR with memory foam 54x50 Stretch Rubber
6	1	9005017	Cover seat cushion support TR with memory foam 54x54 Stretch Rubber
6	1	9005018	Cover seat cushion support TR with memory foam 54x58 Stretch Rubber
1-5,7,8	1	1011697	Seat cushion support TR with memory foam 42x50 Comfort
1-5,7,8	1	1011698	Seat cushion support TR with memory foam 42x54 Comfort
1-5,7,8	1	1011699	Seat cushion support TR with memory foam 42x58 Comfort
1-5,7,8	1	1011700	Seat cushion support TR with memory foam 46x50 Comfort
1-5,7,8	1	1011701	Seat cushion support TR with memory foam 46x54 Comfort
1-5,7,8	1	1011702	Seat cushion support TR with memory foam 46x58 Comfort
1-5,7,8	1	1011703	Seat cushion support TR with memory foam 50x50 Comfort
1-5,7,8	1	1011704	Seat cushion support TR with memory foam 50x54 Comfort
1-5,7,8	1	1011705	Seat cushion support TR with memory foam 50x58 Comfort
1-5,7,8	1	1011706	Seat cushion support TR with memory foam 54x50 Comfort
1-5,7,8	1	1011707	Seat cushion support TR with memory foam 54x54 Comfort
1-5,7,8	1	1011750	Seat cushion support TR with memory foam 54x58 Comfort
7-8	1	9004995	Cover seat cushion support TR with memory foam 42x50 Comfort
7-8	1	9004996	Cover seat cushion support TR with memory foam 42x54 Comfort
7-8	1	9004997	Cover seat cushion support TR with memory foam 42x58 Comfort
7-8	1	9004998	Cover seat cushion support TR with memory foam 46x50 Comfort
7-8	1	9004999	Cover seat cushion support TR with memory foam 46x54 Comfort
7-8	1	9005000	Cover seat cushion support TR with memory foam 46x58 Comfort
7-8	1	9005001	Cover seat cushion support TR with memory foam 50x50 Comfort
7-8	1	9005002	Cover seat cushion support TR with memory foam 50x54 Comfort
7-8	1	9005003	Cover seat cushion support TR with memory foam 50x58 Comfort
7-8	1	9005004	Cover seat cushion support TR with memory foam 54x50 Comfort
7-8	1	9005005	Cover seat cushion support TR with memory foam 54x54 Comfort
7-8	1	9005006	Cover seat cushion support TR with memory foam 54x58 Comfort
7	1	9005551	Top cover seat cushion support TR with memory foam 42x50 Comfort
7	1	9005552	Top cover seat cushion support TR with memory foam 42x54 Comfort
7	1	9005553	Top cover seat cushion support TR with memory foam 42x58 Comfort
7	1	9005554	Top cover seat cushion support TR with memory foam 46x50 Comfort
7	1	9005555	Top cover seat cushion support TR with memory foam 46x54 Comfort
7	1	9005556	Top cover seat cushion support TR with memory foam 46x58 Comfort
7	1	9005557	Top cover seat cushion support TR with memory foam 50x50 Comfort
7	1	9005558	Top cover seat cushion support TR with memory foam 50x54 Comfort
7	1	9005559	Top cover seat cushion support TR with memory foam 50x58 Comfort
7	1	9005560	Top cover seat cushion support TR with memory foam 54x50 Comfort
7	1	9005561	Top cover seat cushion support TR with memory foam 54x54 Comfort
7	1	9005562	Top cover seat cushion support TR with memory foam 54x58 Comfort
1-6	1	9008325	Form seat 42x50 Stretch rubber
1-6	1	9008326	Form seat 42x54 Stretch rubber
1-6	1	9008327	Form seat 42x58 Stretch rubber
1-6	1	9008328	Form seat 46x50 Stretch rubber
1-6	1	9008329	Form seat 46x54 Stretch rubber
1-6	1	9008330	Form seat 46x58 Stretch rubber
1-6	1	9008331	Form seat 50x50 Stretch rubber
1-6	1	9008332	Form seat 50x54 Stretch rubber
1-6	1	9008333	Form seat 50x58 Stretch rubber
1-6	1	9008334	Form seat 54x50 Stretch rubber
1-6	1	9008335	Form seat 54x54 Stretch rubber

Continued from 14 Sedeo Pro / Seat cushion

Pos	Qty	Article number	Description
1-6	1	9008336	Form seat 54x58 Stretch rubber
6	1	9008138	Cover form seat 42x50 Stretch rubber
6	1	9008139	Cover form seat 42x54 Stretch rubber
6	1	9008140	Cover form seat 42x58 Stretch rubber
6	1	9008141	Cover form seat 46x50 Stretch rubber
6	1	9008142	Cover form seat 46x54 Stretch rubber
6	1	9008143	Cover form seat 46x58 Stretch rubber
6	1	9008144	Cover form seat 50x50 Stretch rubber
6	1	9008145	Cover form seat 50x54 Stretch rubber
6	1	9008146	Cover form seat 50x58 Stretch rubber
6	1	9008147	Cover form seat 54x50 Stretch rubber
6	1	9008148	Cover form seat 54x54 Stretch rubber
6	1	9008149	Cover form seat 54x58 Stretch rubber
1-6	1	1011775	Seat cushion balance 42x50 Stretch Rubber
1-6	1	1011776	Seat cushion balance 42x54 Stretch Rubber
1-6	1	1011777	Seat cushion balance 42x58 Stretch Rubber
1-6	1	1011778	Seat cushion balance 46x50 Stretch Rubber
1-6	1	1011779	Seat cushion balance 46x54 Stretch Rubber
1-6	1	1011780	Seat cushion balance 46x58 Stretch Rubber
1-6	1	1011781	Seat cushion balance 50x50 Stretch Rubber
1-6	1	1011782	Seat cushion balance 50x54 Stretch Rubber
1-6	1	1011783	Seat cushion balance 50x58 Stretch Rubber
1-6	1	1011784	Seat cushion balance 54x50 Stretch Rubber
1-6	1	1011785	Seat cushion balance 54x54 Stretch Rubber
1-6	1	1011786	Seat cushion balance 54x58 Stretch Rubber
6	1	9004945	Cover seat cushion balance 42x50 Stretch Rubber
6	1	9004946	Cover seat cushion balance 42x54 Stretch Rubber
6	1	9004947	Cover seat cushion balance 42x58 Stretch Rubber
6	1	9004948	Cover seat cushion balance 46x50 Stretch Rubber
6	1	9004949	Cover seat cushion balance 46x54 Stretch Rubber
6	1	9004950	Cover seat cushion balance 46x58 Stretch Rubber
6	1	9004951	Cover seat cushion balance 50x50 Stretch Rubber
6	1	9004952	Cover seat cushion balance 50x54 Stretch Rubber
6	1	9004953	Cover seat cushion balance 50x58 Stretch Rubber
6	1	9004954	Cover seat cushion balance 54x50 Stretch Rubber
6	1	9004955	Cover seat cushion balance 54x54 Stretch Rubber
6	1	9004956	Cover seat cushion balance 54x58 Stretch Rubber
1-5,7,8	1	1011708	Seat cushion balance 42x50 Comfort
1-5,7,8	1	1011709	Seat cushion balance 42x54 Comfort
1-5,7,8	1	1011710	Seat cushion balance 42x58 Comfort
1-5,7,8	1	1011711	Seat cushion balance 46x50 Comfort
1-5,7,8	1	1011712	Seat cushion balance 46x54 Comfort
1-5,7,8	1	1011713	Seat cushion balance 46x58 Comfort
1-5,7,8	1	1011714	Seat cushion balance 50x50 Comfort
1-5,7,8	1	1011715	Seat cushion balance 50x54 Comfort
1-5,7,8	1	1011716	Seat cushion balance 50x58 Comfort
1-5,7,8	1	1011717	Seat cushion balance 54x50 Comfort
1-5,7,8	1	1011718	Seat cushion balance 54x54 Comfort
1-5,7,8	1	1011719	Seat cushion balance 54x58 Comfort
7-8	1	9004933	Cover seat cushion balance 42x50 Comfort
7-8	1	9004934	Cover seat cushion balance 42x54 Comfort
7-8	1	9004935	Cover seat cushion balance 42x58 Comfort
7-8	1	9004936	Cover seat cushion balance 46x50 Comfort
7-8	1	9004937	Cover seat cushion balance 46x54 Comfort
7-8	1	9004938	Cover seat cushion balance 46x58 Comfort
7-8	1	9004939	Cover seat cushion balance 50x50 Comfort
7-8	1	9004940	Cover seat cushion balance 50x54 Comfort
7-8	1	9004941	Cover seat cushion balance 50x58 Comfort

Continued from 14 Sedeo Pro / Seat cushion

Pos	Qty	Article number	Description
7-8	1	9004942	Cover seat cushion balance 54x50 Comfort
7-8	1	9004943	Cover seat cushion balance 54x54 Comfort
7-8	1	9004944	Cover seat cushion balance 54x58 Comfort
7	1	9005563	Top cover seat cushion balance 42x50 Comfort
7	1	9005564	Top cover seat cushion balance 42x54 Comfort
7	1	9005565	Top cover seat cushion balance 42x58 Comfort
7	1	9005566	Top cover seat cushion balance 46x50 Comfort
7	1	9005567	Top cover seat cushion balance 46x54 Comfort
7	1	9005568	Top cover seat cushion balance 46x58 Comfort
7	1	9005569	Top cover seat cushion balance 50x50 Comfort
7	1	9005570	Top cover seat cushion balance 50x54 Comfort
7	1	9005571	Top cover seat cushion balance 50x58 Comfort
7	1	9005572	Top cover seat cushion balance 54x50 Comfort
7	1	9005573	Top cover seat cushion balance 54x54 Comfort
7	1	9005574	Top cover seat cushion balance 54x58 Comfort
1-6	1	1011787	Seat cushion f uid 42x50 Stretch Rubber
1-6	1	9008469	Seat cushion f uid 42x54 Stretch Rubber
1-6	1	9008470	Seat cushion f uid 42x58 Stretch Rubber
1-6	1	1011788	Seat cushion f uid 46x50 Stretch Rubber
1-6	1	9008471	Seat cushion f uid 46x54 Stretch Rubber
1-6	1	9008472	Seat cushion f uid 46x58 Stretch Rubber
1-6	1	1011789	Seat cushion f uid 50x50 Stretch Rubber
1-6	1	9008473	Seat cushion f uid 50x54 Stretch Rubber
1-6	1	9008474	Seat cushion f uid 50x58 Stretch Rubber
1-6	1	9008475	Seat cushion f uid 54x50 Stretch Rubber
1-6	1	9008476	Seat cushion f uid 54x54 Stretch Rubber
1-6	1	9008477	Seat cushion f uid 54x58 Stretch Rubber
6	1	9004960	Cover seat cushion f uid 42x50 Stretch Rubber
6	1	9008451	Cover seat cushion f uid 42x54 Stretch Rubber
6	1	9008452	Cover seat cushion f uid 42x58 Stretch Rubber
6	1	9004961	Cover seat cushion f uid 46x50 Stretch Rubber
6	1	9008453	Cover seat cushion f uid 46x54 Stretch Rubber
6	1	9008454	Cover seat cushion f uid 46x58 Stretch Rubber
6	1	9004962	Cover seat cushion f uid 50x50 Stretch Rubber
6	1	9008455	Cover seat cushion f uid 50x54 Stretch Rubber
6	1	9008456	Cover seat cushion f uid 50x58 Stretch Rubber
6	1	9008457	Cover seat cushion f uid 54x50 Stretch Rubber
6	1	9008458	Cover seat cushion f uid 54x54 Stretch Rubber
6	1	9008459	Cover seat cushion f uid 54x58 Stretch Rubber
1-5,7,8	1	1011720	Seat cushion f uid 42x50 Comfort
1-5,7,8	1	9008478	Seat cushion f uid 42x54 Comfort
1-5,7,8	1	9008479	Seat cushion f uid 42x58 Comfort
1-5,7,8	1	1011721	Seat cushion f uid 46x50 Comfort
1-5,7,8	1	9008480	Seat cushion f uid 46x54 Comfort
1-5,7,8	1	9008481	Seat cushion f uid 46x58 Comfort
1-5,7,8	1	1011722	Seat cushion f uid 50x50 Comfort
1-5,7,8	1	9008482	Seat cushion f uid 50x54 Comfort
1-5,7,8	1	9008483	Seat cushion f uid 50x58 Comfort
1-5,7,8	1	9008484	Seat cushion f uid 54x50 Comfort
1-5,7,8	1	9008485	Seat cushion f uid 54x54 Comfort
1-5,7,8	1	9008486	Seat cushion f uid 54x58 Comfort
7-8	1	9004957	Cover seat cushion f uid 42x50 Comfort
7-8	1	9008433	Cover seat cushion f uid 42x54 Comfort
7-8	1	9008434	Cover seat cushion f uid 42x58 Comfort
7-8	1	9004958	Cover seat cushion f uid 46x50 Comfort
7-8	1	9008435	Cover seat cushion f uid 46x54 Comfort
7-8	1	9008436	Cover seat cushion f uid 46x58 Comfort
7-8	1	9004959	Cover seat cushion f uid 50x50 Comfort

Continued from 14 Sedeo Pro / Seat cushion

Pos	Qty	Article number	Description
7-8	1	9008437	Cover seat cushion f uid 50x54 Comfort
7-8	1	9008438	Cover seat cushion f uid 50x58 Comfort
7-8	1	9008439	Cover seat cushion f uid 54x50 Comfort
7-8	1	9008440	Cover seat cushion f uid 54x54 Comfort
7-8	1	9008441	Cover seat cushion f uid 54x58 Comfort
7	1	9005575	Top cover seat cushion f uid 42x50 Comfort
7	1	9008442	Top cover seat cushion f uid 42x54 Comfort
7	1	9008443	Top cover seat cushion f uid 42x58 Comfort
7	1	9005576	Top cover seat cushion f uid 46x50 Comfort
7	1	9008444	Top cover seat cushion f uid 46x54 Comfort
7	1	9008445	Top cover seat cushion f uid 46x58 Comfort
7	1	9005577	Top cover seat cushion f uid 50x50 Comfort
7	1	9008446	Top cover seat cushion f uid 50x54 Comfort
7	1	9008447	Top cover seat cushion f uid 50x58 Comfort
7	1	9008448	Top cover seat cushion f uid 54x50 Comfort
7	1	9008449	Top cover seat cushion f uid 54x54 Comfort
7	1	9008450	Top cover seat cushion f uid 54x58 Comfort
1-6	1	1011790	Air contour seat ROHO® 42x50 Stretch Rubber
1-6	1	9008393	Air contour seat ROHO® 42x54 Stretch Rubber
1-6	1	9008394	Air contour seat ROHO® 42x58 Stretch Rubber
1-6	1	1011791	Air contour seat ROHO® 46x50 Stretch Rubber
1-6	1	9008395	Air contour seat ROHO® 46x54 Stretch Rubber
1-6	1	9008396	Air contour seat ROHO® 46x58 Stretch Rubber
1-6	1	1011792	Air contour seat ROHO® 50x50 Stretch Rubber
1-6	1	9008397	Air contour seat ROHO® 50x54 Stretch Rubber
1-6	1	9008398	Air contour seat ROHO® 50x58 Stretch Rubber
1-6	1	9008399	Air contour seat ROHO® 54x50 Stretch Rubber
1-6	1	9008400	Air contour seat ROHO® 54x54 Stretch Rubber
1-6	1	9008401	Air contour seat ROHO® 54x58 Stretch Rubber
6	1	1017330	Cover air contour seat ROHO® 42x50 Stretch Rubber
6	1	1017332	Cover air contour seat ROHO® 42x54 Stretch Rubber
6	1	1017333	Cover air contour seat ROHO® 42x58 Stretch Rubber
6	1	1017338	Cover air contour seat ROHO® 46x50 Stretch Rubber
6	1	1017340	Cover air contour seat ROHO® 46x54 Stretch Rubber
6	1	1017341	Cover air contour seat ROHO® 46x58 Stretch Rubber
6	1	1017346	Cover air contour seat ROHO® 50x50 Stretch Rubber
6	1	1017348	Cover air contour seat ROHO® 50x54 Stretch Rubber
6	1	1017349	Cover air contour seat ROHO® 50x58 Stretch Rubber
6	1	1017354	Cover air contour seat ROHO® 54x50 Stretch Rubber
6	1	1017356	Cover air contour seat ROHO® 54x54 Stretch Rubber
6	1	1017357	Cover air contour seat ROHO® 54x58 Stretch Rubber
1-6	1	1014300	Seat cushion pan 5 cm, 42x50 Sellaskin
1-6	1	1011863	Seat cushion pan 5 cm, 42x54 Sellaskin
1-6	1	1011928	Seat cushion pan 5 cm, 42x58 Sellaskin
1-6	1	1011929	Seat cushion pan 5 cm, 46x50 Sellaskin
1-6	1	1011930	Seat cushion pan 5 cm, 46x54 Sellaskin
1-6	1	1011932	Seat cushion pan 5 cm, 46x58 Sellaskin
1-6	1	1011933	Seat cushion pan 5 cm, 50x50 Sellaskin
1-6	1	1011934	Seat cushion pan 5 cm, 50x54 Sellaskin
1-6	1	1011935	Seat cushion pan 5 cm, 50x58 Sellaskin
1-6	1	1011936	Seat cushion pan 5 cm, 54x50 Sellaskin
1-6	1	1011937	Seat cushion pan 5 cm, 54x54 Sellaskin
1-6	1	1011938	Seat cushion pan 5 cm, 54x58 Sellaskin
1-6	1	9008369	Seat cushion pan 7,5 cm, 42x50 Sellaskin
1-6	1	9008370	Seat cushion pan 7,5 cm, 42x54 Sellaskin
1-6	1	9008371	Seat cushion pan 7,5 cm, 42x58 Sellaskin
1-6	1	9008372	Seat cushion pan 7,5 cm, 46x50 Sellaskin
1-6	1	9008373	Seat cushion pan 7,5 cm, 46x54 Sellaskin

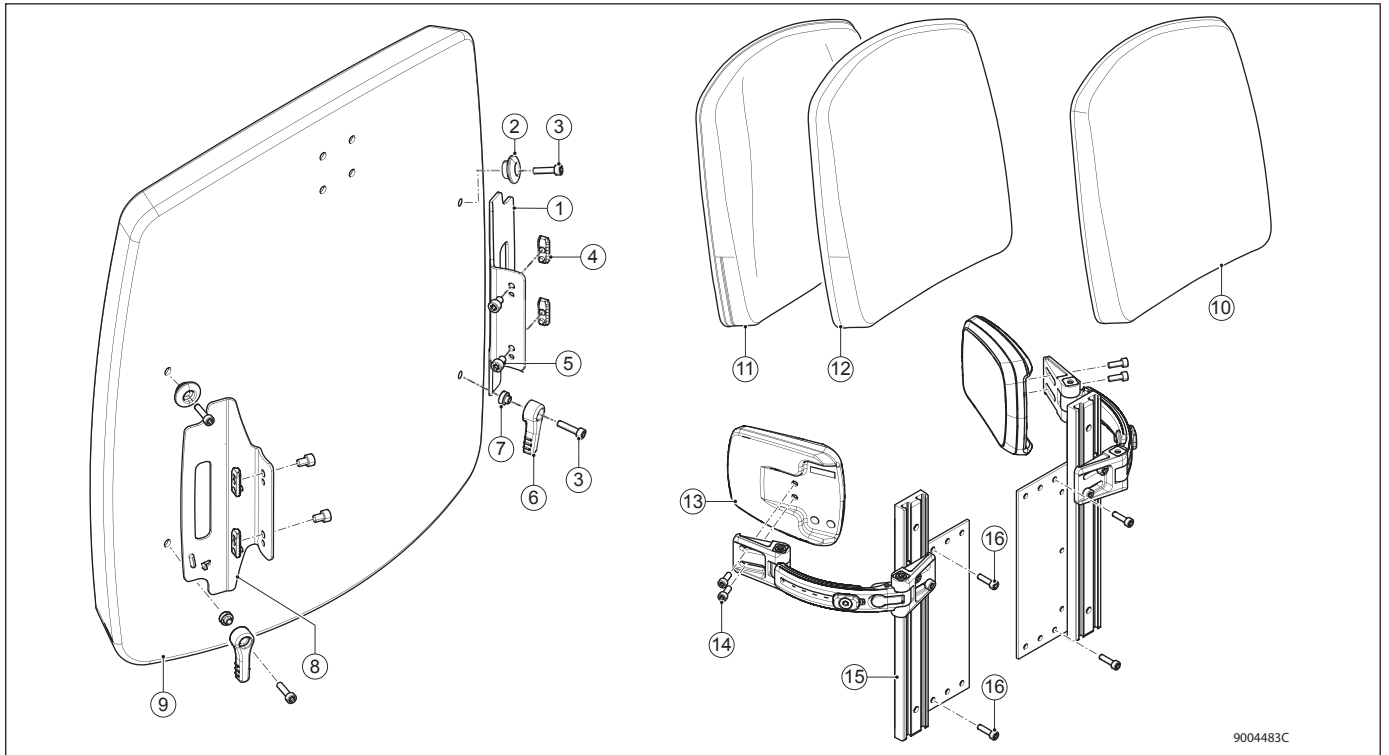
Continued from 14 Sedeo Pro / Seat cushion

Pos	Qty	Article number	Description
1-6	1	9008374	Seat cushion pan 7,5 cm, 46x58 Sellaskin
1-6	1	9008375	Seat cushion pan 7,5 cm, 50x50 Sellaskin
1-6	1	9008376	Seat cushion pan 7,5 cm, 50x54 Sellaskin
1-6	1	9008377	Seat cushion pan 7,5 cm, 50x58 Sellaskin
1-6	1	9008378	Seat cushion pan 7,5 cm, 54x50 Sellaskin
1-6	1	9008379	Seat cushion pan 7,5 cm, 54x54 Sellaskin
1-6	1	9008380	Seat cushion pan 7,5 cm, 54x58 Sellaskin
1-6	1	9008381	Seat cushion pan 10 cm, 42x50 Sellaskin
1-6	1	9008382	Seat cushion pan 10 cm, 42x54 Sellaskin
1-6	1	9008383	Seat cushion pan 10 cm, 42x58 Sellaskin
1-6	1	9008384	Seat cushion pan 10 cm, 46x50 Sellaskin
1-6	1	9008385	Seat cushion pan 10 cm, 46x54 Sellaskin
1-6	1	9008386	Seat cushion pan 10 cm, 46x58 Sellaskin
1-6	1	9008387	Seat cushion pan 10 cm, 50x50 Sellaskin
1-6	1	9008388	Seat cushion pan 10 cm, 50x54 Sellaskin
1-6	1	9008389	Seat cushion pan 10 cm, 50x58 Sellaskin
1-6	1	9008390	Seat cushion pan 10 cm, 54x50 Sellaskin
1-6	1	9008391	Seat cushion pan 10 cm, 54x54 Sellaskin
1-6	1	9008392	Seat cushion pan 10 cm, 54x58 Sellaskin
1-6	1	1011952	Seat cushion board with rear pan 42x50 Sellaskin
1-6	1	1011953	Seat cushion board with rear pan 42x54 Sellaskin
1-6	1	1011954	Seat cushion board with rear pan 42x58 Sellaskin
1-6	1	1011955	Seat cushion board with rear pan 46x50 Sellaskin
1-6	1	1011956	Seat cushion board with rear pan 46x54 Sellaskin
1-6	1	1011957	Seat cushion board with rear pan 46x58 Sellaskin
1-6	1	1011958	Seat cushion board with rear pan 50x50 Sellaskin
1-6	1	1011959	Seat cushion board with rear pan 50x54 Sellaskin
1-6	1	1011960	Seat cushion board with rear pan 50x58 Sellaskin
1-6	1	1011961	Seat cushion board with rear pan 54x50 Sellaskin
1-6	1	1011962	Seat cushion board with rear pan 54x54 Sellaskin
1-6	1	1011963	Seat cushion board with rear pan 54x58 Sellaskin
1-6	1	1011939	Seat cushion board 42x50 Sellaskin
1-6	1	1011940	Seat cushion board 42x54 Sellaskin
1-6	1	1011941	Seat cushion board 42x58 Sellaskin
1-6	1	1011942	Seat cushion board 46x50 Sellaskin
1-6	1	1011943	Seat cushion board 46x54 Sellaskin
1-6	1	1011944	Seat cushion board 46x58 Sellaskin
1-6	1	1011945	Seat cushion board 50x50 Sellaskin
1-6	1	1011946	Seat cushion board 50x54 Sellaskin
1-6	1	1011948	Seat cushion board 50x58 Sellaskin
1-6	1	1011949	Seat cushion board 54x50 Sellaskin
1-6	1	1011950	Seat cushion board 54x54 Sellaskin
1-6	1	1011951	Seat cushion board 54x58 Sellaskin
-	-	9008228	Front pan 5 cm for pan seat, SW 42 cm
-	-	9008229	Front pan 5 cm for pan seat, SW 46 cm
-	-	9008230	Front pan 5 cm for pan seat, SW 50 cm
-	-	9008231	Front pan 5 cm for pan seat, SW 54 cm
-	-	9008260	Front pan 7,5 cm for pan seat, SW 42 cm
-	-	9008261	Front pan 7,5 cm for pan seat, SW 46 cm
-	-	9008262	Front pan 7,5 cm for pan seat, SW 50 cm
-	-	9008263	Front pan 7,5 cm for pan seat, SW 54 cm
-	-	9008268	Front pan 10 cm for pan seat, SW 42 cm
-	-	9008269	Front pan 10 cm for pan seat, SW 46 cm
-	-	9008270	Front pan 10 cm for pan seat, SW 50 cm
-	-	9008271	Front pan 10 cm for pan seat, SW 54 cm
-	-	9007089	Rear pan 5 cm for pan seat
-	-	9008274	Rear pan 7,5 cm for pan seat

Continued from **14 Sedeo Pro / Seat cushion**

Pos	Qty	Article number	Description
-	-	1015093	Sellaskin Sedeo Pro (per meter)
-	-	1015091	Comfort fabric (per meter)
-	-	00004.0291	Black Stretch Rubber (per meter)

15 Sedeo Pro / Backrest



9004483C

Pos	Qty	Article number	Description
1,4,5,8	1	1010888	Backrest mounting plate, set
2,3,6,7	1	1010889	Backrest mounting, set
3	4	1015344	Torx countersunk head screw M5x25 T30 (100 pieces)
4	4	1010881	Clamp nut (10 pieces)
5	2	1015330	Torx socket head screw M6x8 din7984T Precote 85 (100 pieces)
13,14	2	1010980	Thoracic support cushion
13-16	1	1010979	Thoracic support set complete
14	4	1015332	Torx socket head screw M6x12 iso14579 Precote 85 (100 pieces)
15,16	1	1016549	Thoracic support mounting, right
15,16	1	1016550	Thoracic support mounting, left
15,16	1	1010978	Thoracic support mounting, set
16	4	-	Round head screw with Philips head M5x30 din7985
2,3,6,7,9,10	1	1012196	Backrest padded 42 x 50 Stretch Rubber
2,3,6,7,9,10	1	1012197	Backrest padded 42 x 56 Stretch Rubber
2,3,6,7,9,10	1	1012198	Backrest padded 46 x 50 Stretch Rubber
2,3,6,7,9,10	1	1012199	Backrest padded 46 x 56 Stretch Rubber
2,3,6,7,9,10	1	1012200	Backrest padded 50 x 50 Stretch Rubber
2,3,6,7,9,10	1	1012201	Backrest padded 50 x 56 Stretch Rubber
2,3,6,7,9,10	1	1012202	Backrest padded 54 x 50 Stretch Rubber
2,3,6,7,9,10	1	1012203	Backrest padded 54 x 56 Stretch Rubber
10	1	9005445	Cover backrest padded 42 x 50 Stretch Rubber
10	1	9005446	Cover backrest padded 42 x 56 Stretch Rubber
10	1	9005447	Cover backrest padded 46 x 50 Stretch Rubber
10	1	9005448	Cover backrest padded 46 x 56 Stretch Rubber
10	1	9005449	Cover backrest padded 50 x 50 Stretch Rubber
10	1	9005450	Cover backrest padded 50 x 56 Stretch Rubber
10	1	9005451	Cover backrest padded 54 x 50 Stretch Rubber
10	1	9005452	Cover backrest padded 54 x 56 Stretch Rubber
2,3,6,7,9,11,12	1	1012140	Backrest padded 42 x 50 Comfort
2,3,6,7,9,11,12	1	1012141	Backrest padded 42 x 56 Comfort
2,3,6,7,9,11,12	1	1012142	Backrest padded 46 x 50 Comfort
2,3,6,7,9,11,12	1	1012143	Backrest padded 46 x 56 Comfort
2,3,6,7,9,11,12	1	1012144	Backrest padded 50 x 50 Comfort

Continued from 15 Sedeo Pro / Backrest

Pos	Qty	Article number	Description
2,3,6,7,9,11,12	1	1012145	Backrest padded 50 x 56 Comfort
2,3,6,7,9,11,12	1	1012146	Backrest padded 54 x 50 Comfort
2,3,6,7,9,11,12	1	1012147	Backrest padded 54 x 56 Comfort
11-12	1	9005301	Cover backrest padded 42 x 50 Comfort
11-12	1	9005302	Cover backrest padded 42 x 56 Comfort
11-12	1	9005303	Cover backrest padded 46 x 50 Comfort
11-12	1	9005304	Cover backrest padded 46 x 56 Comfort
11-12	1	9005305	Cover backrest padded 50 x 50 Comfort
11-12	1	9005306	Cover backrest padded 50 x 56 Comfort
11-12	1	9005307	Cover backrest padded 54 x 50 Comfort
11-12	1	9005308	Cover backrest padded 54 x 56 Comfort
12	1	9005373	Top cover backrest padded 42 x 50 Comfort
12	1	9005374	Top cover backrest padded 42 x 56 Comfort
12	1	9005375	Top cover backrest padded 46 x 50 Comfort
12	1	9005376	Top cover backrest padded 46 x 56 Comfort
12	1	9005377	Top cover backrest padded 50 x 50 Comfort
12	1	9005378	Top cover backrest padded 50 x 56 Comfort
12	1	9005379	Top cover backrest padded 54 x 50 Comfort
12	1	9005380	Top cover backrest padded 54 x 56 Comfort
2,3,6,7,9,10	1	1012204	Backrest webbed 42 x 50 Stretch Rubber
2,3,6,7,9,10	1	1012205	Backrest webbed 42 x 56 Stretch Rubber
2,3,6,7,9,10	1	1012206	Backrest webbed 46 x 50 Stretch Rubber
2,3,6,7,9,10	1	1012207	Backrest webbed 46 x 56 Stretch Rubber
2,3,6,7,9,10	1	1012208	Backrest webbed 50 x 50 Stretch Rubber
2,3,6,7,9,10	1	1012209	Backrest webbed 50 x 56 Stretch Rubber
2,3,6,7,9,10	1	1012210	Backrest webbed 54 x 50 Stretch Rubber
2,3,6,7,9,10	1	1012211	Backrest webbed 54 x 56 Stretch Rubber
10	1	9005453	Cover backrest webbed 42 x 50 Stretch Rubber
10	1	9005454	Cover backrest webbed 42 x 56 Stretch Rubber
10	1	9005455	Cover backrest webbed 46 x 50 Stretch Rubber
10	1	9005456	Cover backrest webbed 46 x 56 Stretch Rubber
10	1	9005457	Cover backrest webbed 50 x 50 Stretch Rubber
10	1	9005458	Cover backrest webbed 50 x 56 Stretch Rubber
10	1	9005459	Cover backrest webbed 54 x 50 Stretch Rubber
10	1	9005460	Cover backrest webbed 54 x 56 Stretch Rubber
2,3,6,7,9,11,12	1	1012148	Backrest webbed 42 x 50 Comfort
2,3,6,7,9,11,12	1	1012149	Backrest webbed 42 x 56 Comfort
2,3,6,7,9,11,12	1	1012150	Backrest webbed 46 x 50 Comfort
2,3,6,7,9,11,12	1	1012151	Backrest webbed 46 x 56 Comfort
2,3,6,7,9,11,12	1	1012152	Backrest webbed 50 x 50 Comfort
2,3,6,7,9,11,12	1	1012153	Backrest webbed 50 x 56 Comfort
2,3,6,7,9,11,12	1	1012154	Backrest webbed 54 x 50 Comfort
2,3,6,7,9,11,12	1	1012155	Backrest webbed 54 x 56 Comfort
11-12	1	9005309	Cover backrest webbed 42 x 50 Comfort
11-12	1	9005310	Cover backrest webbed 42 x 56 Comfort
11-12	1	9005311	Cover backrest webbed 46 x 50 Comfort
11-12	1	9005312	Cover backrest webbed 46 x 56 Comfort
11-12	1	9005313	Cover backrest webbed 50 x 50 Comfort
11-12	1	9005314	Cover backrest webbed 50 x 56 Comfort
11-12	1	9005315	Cover backrest webbed 54 x 50 Comfort
11-12	1	9005316	Cover backrest webbed 54 x 56 Comfort
12	1	9005381	Top cover backrest webbed 42 x 50 Comfort
12	1	9005382	Top cover backrest webbed 42 x 56 Comfort
12	1	9005383	Top cover backrest webbed 46 x 50 Comfort
12	1	9005384	Top cover backrest webbed 46 x 56 Comfort
12	1	9005385	Top cover backrest webbed 50 x 50 Comfort

Continued from 15 Sedeo Pro / Backrest

Pos	Qty	Article number	Description
12	1	9005386	Top cover backrest webbed 50 x 56 Comfort
12	1	9005387	Top cover backrest webbed 54 x 50 Comfort
12	1	9005388	Top cover backrest webbed 54 x 56 Comfort
2,3,6,7,9,10	1	1012220	Backrest support 42 x 50 Stretch Rubber
2,3,6,7,9,10	1	1012221	Backrest support 42 x 56 Stretch Rubber
2,3,6,7,9,10	1	1012222	Backrest support 46 x 50 Stretch Rubber
2,3,6,7,9,10	1	1012223	Backrest support 46 x 56 Stretch Rubber
2,3,6,7,9,10	1	1012224	Backrest support 50 x 50 Stretch Rubber
2,3,6,7,9,10	1	1012225	Backrest support 50 x 56 Stretch Rubber
2,3,6,7,9,10	1	1012226	Backrest support 54 x 50 Stretch Rubber
2,3,6,7,9,10	1	1012227	Backrest support 54 x 56 Stretch Rubber
10	1	9005469	Cover backrest support 42 x 50 Stretch Rubber
10	1	9005470	Cover backrest support 42 x 56 Stretch Rubber
10	1	9005471	Cover backrest support 46 x 50 Stretch Rubber
10	1	9005472	Cover backrest support 46 x 56 Stretch Rubber
10	1	9005473	Cover backrest support 50 x 50 Stretch Rubber
10	1	9005474	Cover backrest support 50 x 56 Stretch Rubber
10	1	9005475	Cover backrest support 54 x 50 Stretch Rubber
10	1	9005476	Cover backrest support 54 x 56 Stretch Rubber
2,3,6,7,9,11,12	1	1012164	Backrest support 42 x 50 Comfort
2,3,6,7,9,11,12	1	1012165	Backrest support 42 x 56 Comfort
2,3,6,7,9,11,12	1	1012166	Backrest support 46 x 50 Comfort
2,3,6,7,9,11,12	1	1012167	Backrest support 46 x 56 Comfort
2,3,6,7,9,11,12	1	1012168	Backrest support 50 x 50 Comfort
2,3,6,7,9,11,12	1	1012169	Backrest support 50 x 56 Comfort
2,3,6,7,9,11,12	1	1012170	Backrest support 54 x 50 Comfort
2,3,6,7,9,11,12	1	1012171	Backrest support 54 x 56 Comfort
11-12	1	9005325	Cover backrest support 42 x 50 Comfort
11-12	1	9005326	Cover backrest support 42 x 56 Comfort
11-12	1	9005327	Cover backrest support 46 x 50 Comfort
11-12	1	9005328	Cover backrest support 46 x 56 Comfort
11-12	1	9005329	Cover backrest support 50 x 50 Comfort
11-12	1	9005330	Cover backrest support 50 x 56 Comfort
11-12	1	9005331	Cover backrest support 54 x 50 Comfort
11-12	1	9005332	Cover backrest support 54 x 56 Comfort
12	1	9005397	Top cover backrest support 42 x 50 Comfort
12	1	9005398	Top cover backrest support 42 x 56 Comfort
12	1	9005399	Top cover backrest support 46 x 50 Comfort
12	1	9005400	Top cover backrest support 46 x 56 Comfort
12	1	9005401	Top cover backrest support 50 x 50 Comfort
12	1	9005402	Top cover backrest support 50 x 56 Comfort
12	1	9005403	Top cover backrest support 54 x 50 Comfort
12	1	9005404	Top cover backrest support 54 x 56 Comfort
2,3,6,7,9,10	1	1012228	Backrest with adjustable straps passive 42 x 50 Stretch Rubber
2,3,6,7,9,10	1	1012229	Backrest with adjustable straps passive 42 x 56 Stretch Rubber
2,3,6,7,9,10	1	1012230	Backrest with adjustable straps passive 46 x 50 Stretch Rubber
2,3,6,7,9,10	1	1012231	Backrest with adjustable straps passive 46 x 56 Stretch Rubber
2,3,6,7,9,10	1	1012232	Backrest with adjustable straps passive 50 x 50 Stretch Rubber
2,3,6,7,9,10	1	1012233	Backrest with adjustable straps passive 50 x 56 Stretch Rubber
2,3,6,7,9,10	1	1012234	Backrest with adjustable straps passive 54 x 50 Stretch Rubber
2,3,6,7,9,10	1	1012235	Backrest with adjustable straps passive 54 x 56 Stretch Rubber
10	1	9005477	Cover backrest with adjustable straps passive 42 x 50 Stretch Rubber
10	1	9005478	Cover backrest with adjustable straps passive 42 x 56 Stretch Rubber
10	1	9005479	Cover backrest with adjustable straps passive 46 x 50 Stretch Rubber
10	1	9005480	Cover backrest with adjustable straps passive 46 x 56 Stretch Rubber
10	1	9005481	Cover backrest with adjustable straps passive 50 x 50 Stretch Rubber

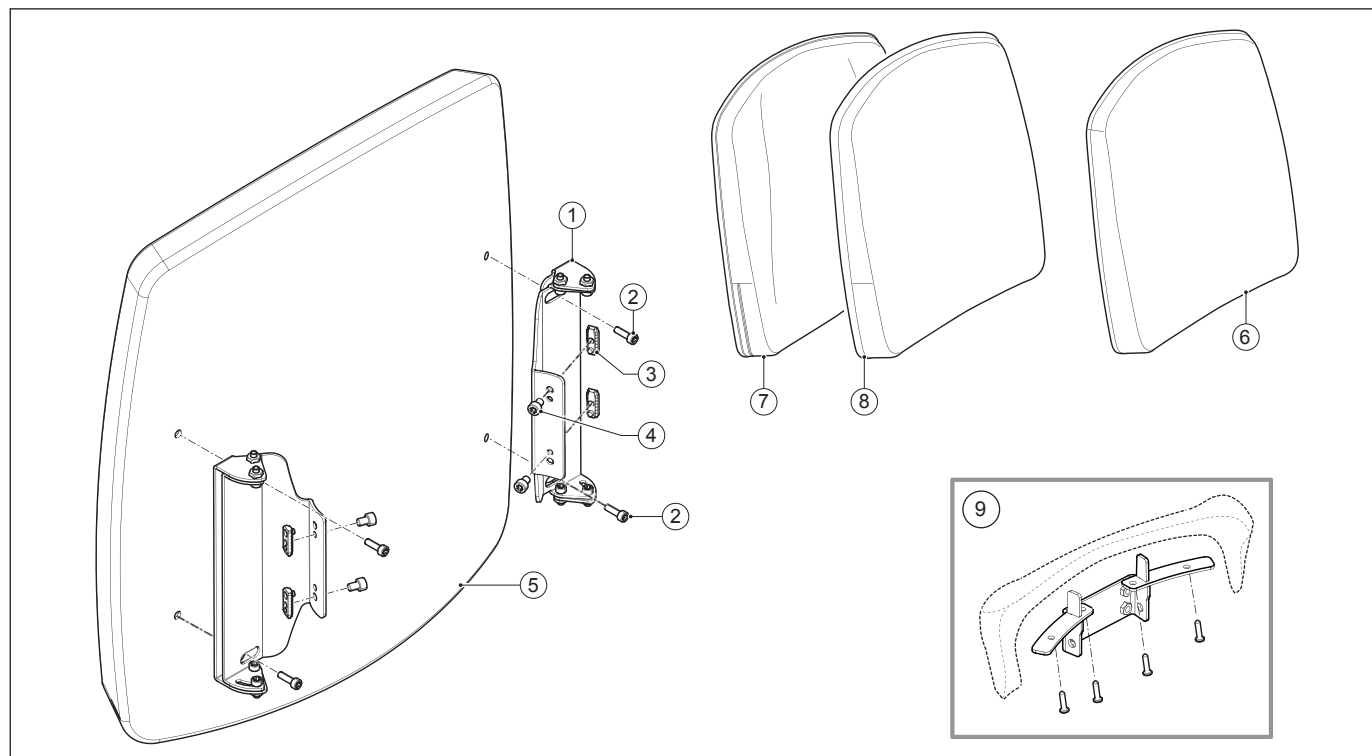
Continued from 15 Sedeo Pro / Backrest

Pos	Qty	Article number	Description
10	1	9005482	Cover backrest with adjustable straps passive 50 x 56 Stretch Rubber
10	1	9005483	Cover backrest with adjustable straps passive 54 x 50 Stretch Rubber
10	1	9005484	Cover backrest with adjustable straps passive 54 x 56 Stretch Rubber
2,3,6,7,9,11,12	1	1012172	Backrest with adjustable straps passive 42 x 50 Comfort
2,3,6,7,9,11,12	1	1012173	Backrest with adjustable straps passive 42 x 56 Comfort
2,3,6,7,9,11,12	1	1012174	Backrest with adjustable straps passive 46 x 50 Comfort
2,3,6,7,9,11,12	1	1012175	Backrest with adjustable straps passive 46 x 56 Comfort
2,3,6,7,9,11,12	1	1012176	Backrest with adjustable straps passive 50 x 50 Comfort
2,3,6,7,9,11,12	1	1012177	Backrest with adjustable straps passive 50 x 56 Comfort
2,3,6,7,9,11,12	1	1012178	Backrest with adjustable straps passive 54 x 50 Comfort
2,3,6,7,9,11,12	1	1012179	Backrest with adjustable straps passive 54 x 56 Comfort
11-12	1	9005333	Cover backrest with adjustable straps passive 42 x 50 Comfort
11-12	1	9005334	Cover backrest with adjustable straps passive 42 x 56 Comfort
11-12	1	9005335	Cover backrest with adjustable straps passive 46 x 50 Comfort
11-12	1	9005336	Cover backrest with adjustable straps passive 46 x 56 Comfort
11-12	1	9005337	Cover backrest with adjustable straps passive 50 x 50 Comfort
11-12	1	9005338	Cover backrest with adjustable straps passive 50 x 56 Comfort
11-12	1	9005339	Cover backrest with adjustable straps passive 54 x 50 Comfort
11-12	1	9005340	Cover backrest with adjustable straps passive 54 x 56 Comfort
12	1	9005405	Top cover backrest with adjustable straps passive 42 x 50 Comfort
12	1	9005406	Top cover backrest with adjustable straps passive 42 x 56 Comfort
12	1	9005407	Top cover backrest with adjustable straps passive 46 x 50 Comfort
12	1	9005408	Top cover backrest with adjustable straps passive 46 x 56 Comfort
12	1	9005409	Top cover backrest with adjustable straps passive 50 x 50 Comfort
12	1	9005410	Top cover backrest with adjustable straps passive 50 x 56 Comfort
12	1	9005411	Top cover backrest with adjustable straps passive 54 x 50 Comfort
12	1	9005412	Top cover backrest with adjustable straps passive 54 x 56 Comfort
2,3,6,7,9,10	1	1012236	Backrest with adjustable straps active 42 x 50 Stretch Rubber
2,3,6,7,9,10	1	1012237	Backrest with adjustable straps active 42 x 56 Stretch Rubber
2,3,6,7,9,10	1	1012238	Backrest with adjustable straps active 46 x 50 Stretch Rubber
2,3,6,7,9,10	1	1012239	Backrest with adjustable straps active 46 x 56 Stretch Rubber
2,3,6,7,9,10	1	1012240	Backrest with adjustable straps active 50 x 50 Stretch Rubber
2,3,6,7,9,10	1	1012241	Backrest with adjustable straps active 50 x 56 Stretch Rubber
2,3,6,7,9,10	1	1012242	Backrest with adjustable straps active 54 x 50 Stretch Rubber
2,3,6,7,9,10	1	1012243	Backrest with adjustable straps active 54 x 56 Stretch Rubber
10	1	9005485	Cover backrest with adjustable straps active 42 x 50 Stretch Rubber
10	1	9005486	Cover backrest with adjustable straps active 42 x 56 Stretch Rubber
10	1	9005487	Cover backrest with adjustable straps active 46 x 50 Stretch Rubber
10	1	9005488	Cover backrest with adjustable straps active 46 x 56 Stretch Rubber
10	1	9005489	Cover backrest with adjustable straps active 50 x 50 Stretch Rubber
10	1	9005490	Cover backrest with adjustable straps active 50 x 56 Stretch Rubber
10	1	9005491	Cover backrest with adjustable straps active 54 x 50 Stretch Rubber
10	1	9005492	Cover backrest with adjustable straps active 54 x 56 Stretch Rubber
2,3,6,7,9,11,12	1	1012180	Backrest with adjustable straps active 42 x 50 Comfort
2,3,6,7,9,11,12	1	1012181	Backrest with adjustable straps active 42 x 56 Comfort
2,3,6,7,9,11,12	1	1012182	Backrest with adjustable straps active 46 x 50 Comfort
2,3,6,7,9,11,12	1	1012183	Backrest with adjustable straps active 46 x 56 Comfort
2,3,6,7,9,11,12	1	1012184	Backrest with adjustable straps active 50 x 50 Comfort
2,3,6,7,9,11,12	1	1012185	Backrest with adjustable straps active 50 x 56 Comfort
2,3,6,7,9,11,12	1	1012186	Backrest with adjustable straps active 54 x 50 Comfort
2,3,6,7,9,11,12	1	1012187	Backrest with adjustable straps active 54 x 56 Comfort
11-12	1	9005341	Cover backrest with adjustable straps active 42 x 50 Comfort
11-12	1	9005342	Cover backrest with adjustable straps active 42 x 56 Comfort
11-12	1	9005343	Cover backrest with adjustable straps active 46 x 50 Comfort
11-12	1	9005344	Cover backrest with adjustable straps active 46 x 56 Comfort
11-12	1	9005345	Cover backrest with adjustable straps active 50 x 50 Comfort

Continued from 15 Sedeo Pro / Backrest

Pos	Qty	Article number	Description
11-12	1	9005346	Cover backrest with adjustable straps active 50 x 56 Comfort
11-12	1	9005347	Cover backrest with adjustable straps active 54 x 50 Comfort
11-12	1	9005348	Cover backrest with adjustable straps active 54 x 56 Comfort
12	1	9005413	Top cover backrest with adjustable straps active 42 x 50 Comfort
12	1	9005414	Top cover backrest with adjustable straps active 42 x 56 Comfort
12	1	9005415	Top cover backrest with adjustable straps active 46 x 50 Comfort
12	1	9005416	Top cover backrest with adjustable straps active 46 x 56 Comfort
12	1	9005417	Top cover backrest with adjustable straps active 50 x 50 Comfort
12	1	9005418	Top cover backrest with adjustable straps active 50 x 56 Comfort
12	1	9005419	Top cover backrest with adjustable straps active 54 x 50 Comfort
12	1	9005420	Top cover backrest with adjustable straps active 54 x 56 Comfort
2,3,6,7,9,11,12	1	1017167	Backrest with adjustable straps active 42 x 50 Comfort with red stitching
2,3,6,7,9,11,12	1	1017168	Backrest with adjustable straps active 42 x 56 Comfort with red stitching
2,3,6,7,9,11,12	1	1017169	Backrest with adjustable straps active 46 x 50 Comfort with red stitching
2,3,6,7,9,11,12	1	1017170	Backrest with adjustable straps active 46 x 56 Comfort with red stitching
2,3,6,7,9,11,12	1	1017171	Backrest with adjustable straps active 50 x 50 Comfort with red stitching
2,3,6,7,9,11,12	1	1017172	Backrest with adjustable straps active 50 x 56 Comfort with red stitching
2,3,6,7,9,11,12	1	1017173	Backrest with adjustable straps active 54 x 50 Comfort with red stitching
2,3,6,7,9,11,12	1	1017174	Backrest with adjustable straps active 54 x 56 Comfort with red stitching
-	-	1015093	Sellaskin Sedeo Pro (per meter)
-	-	1015091	Comfort fabric (per meter)
-	-	00004.0291	Black Stretch Rubber (per meter)

16 Sedeo Pro / Backrest f exible



Pos	Qty	Article no	Description
1,3,4	1	1010986	Angle adjustable backrest mounting, set
2	4	1015344	Torx countersunk head screw M5x25 T30 (100 pieces)
4	4	1015330	Torx socket head screw M6x8 din7984T Precote 85 (100 pieces)
9	1	1017704	Headrest mounting bracket for f exible backrest >2014
2,5,6	1	1012293	Backrest f exible with adjustable straps passive 42 x 50 Stretch rubber
2,5,6	1	1012294	Backrest f exible with adjustable straps passive 42 x 56 Stretch rubber
2,5,6	1	1012295	Backrest f exible with adjustable straps passive 46 x 50 Stretch rubber
2,5,6	1	1012296	Backrest f exible with adjustable straps passive 46 x 56 Stretch rubber
2,5,6	1	1012297	Backrest f exible with adjustable straps passive 50 x 50 Stretch rubber
2,5,6	1	1012298	Backrest f exible with adjustable straps passive 50 x 56 Stretch rubber
2,5,6	1	1012299	Backrest f exible with adjustable straps passive 54 x 50 Stretch rubber
2,5,6	1	1012300	Backrest f exible with adjustable straps passive 54 x 56 Stretch rubber
6	1	9005493	Cover backrest f exible with adjustable straps passive 42 x 50 Stretch rubber
6	1	9005494	Cover backrest f exible with adjustable straps passive 42 x 56 Stretch rubber
6	1	9005495	Cover backrest f exible with adjustable straps passive 46 x 50 Stretch rubber
6	1	9005496	Cover backrest f exible with adjustable straps passive 46 x 56 Stretch rubber
6	1	9005497	Cover backrest f exible with adjustable straps passive 50 x 50 Stretch rubber
6	1	9005498	Cover backrest f exible with adjustable straps passive 50 x 56 Stretch rubber
6	1	9006244	Cover backrest f exible with adjustable straps passive 54 x 50 Stretch rubber
6	1	9006245	Cover backrest f exible with adjustable straps passive 54 x 56 Stretch rubber
2,5,7,8	1	1012277	Backrest f exible with adjustable straps passive 42 x 50 Comfort
2,5,7,8	1	1012278	Backrest f exible with adjustable straps passive 42 x 56 Comfort
2,5,7,8	1	1012279	Backrest f exible with adjustable straps passive 46 x 50 Comfort
2,5,7,8	1	1012280	Backrest f exible with adjustable straps passive 46 x 56 Comfort
2,5,7,8	1	1012281	Backrest f exible with adjustable straps passive 50 x 50 Comfort
2,5,7,8	1	1012282	Backrest f exible with adjustable straps passive 50 x 56 Comfort
2,5,7,8	1	1012283	Backrest f exible with adjustable straps passive 54 x 50 Comfort
2,5,7,8	1	1012284	Backrest f exible with adjustable straps passive 54 x 56 Comfort
7-8	1	9005349	Cover backrest f exible with adjustable straps passive 42 x 50 Comfort
7-8	1	9005350	Cover backrest f exible with adjustable straps passive 42 x 56 Comfort
7-8	1	9005351	Cover backrest f exible with adjustable straps passive 46 x 50 Comfort
7-8	1	9005352	Cover backrest f exible with adjustable straps passive 46 x 56 Comfort

Continued from 16 Sedeo Pro / Backrest f exible

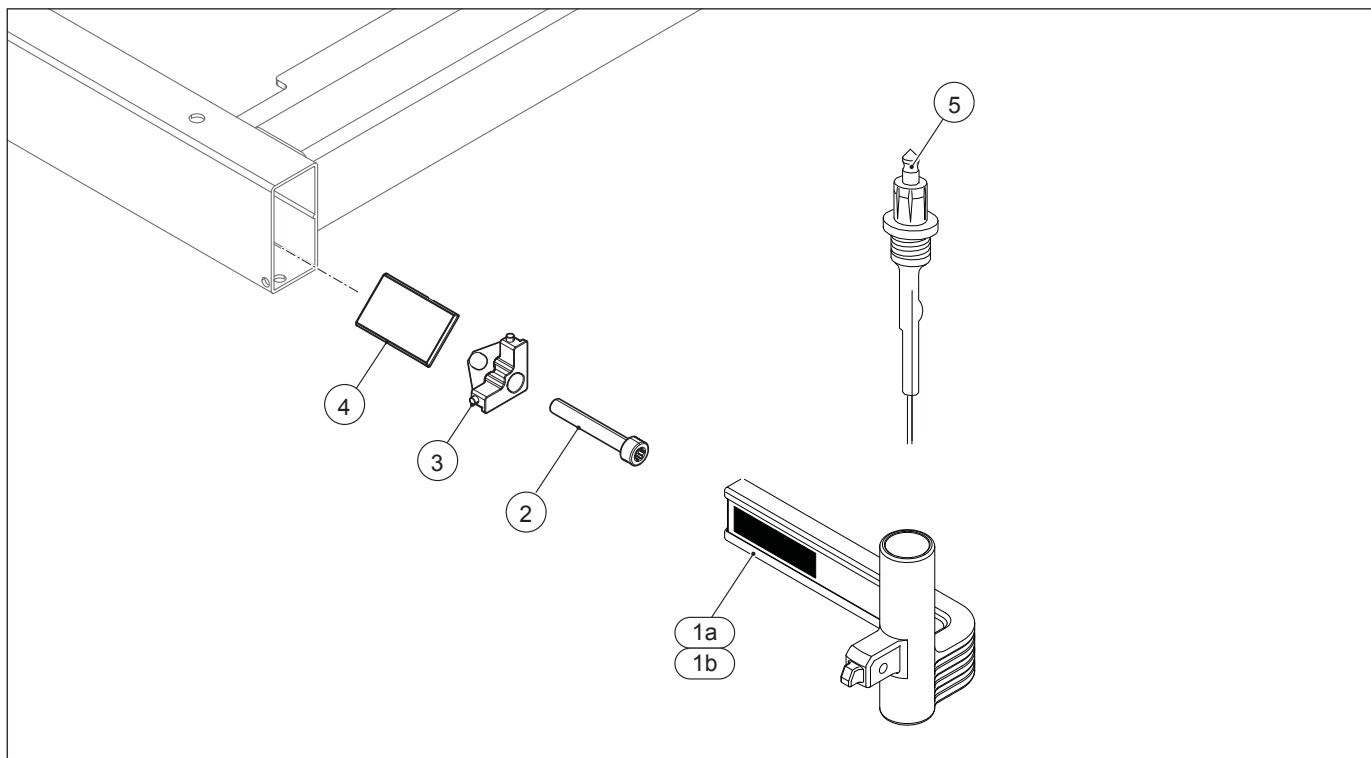
Pos	Qty	Article no	Description
7-8	1	9005353	Cover backrest f exible with adjustable straps passive 50 x 50 Comfort
7-8	1	9005354	Cover backrest f exible with adjustable straps passive 50 x 56 Comfort
7-8	1	9005355	Cover backrest f exible with adjustable straps passive 54 x 50 Comfort
7-8	1	9005356	Cover backrest f exible with adjustable straps passive 54 x 56 Comfort
8	1	9005421	Top cover backrest f exible with adjustable straps passive 42 x 50 Comfort
8	1	9005422	Top cover backrest f exible with adjustable straps passive 42 x 56 Comfort
8	1	9005423	Top cover backrest f exible with adjustable straps passive 46 x 50 Comfort
8	1	9005424	Top cover backrest f exible with adjustable straps passive 46 x 56 Comfort
8	1	9005425	Top cover backrest f exible with adjustable straps passive 50 x 50 Comfort
8	1	9005426	Top cover backrest f exible with adjustable straps passive 50 x 56 Comfort
8	1	9005427	Top cover backrest f exible with adjustable straps passive 54 x 50 Comfort
8	1	9005428	Top cover backrest f exible with adjustable straps passive 54 x 56 Comfort
2,5,6	1	9008341	Backrest f exible with adjustable straps active 42 x 44 Stretch rubber
2,5,6	1	1012301	Backrest f exible with adjustable straps active 42 x 50 Stretch rubber
2,5,6	1	1012302	Backrest f exible with adjustable straps active 42 x 56 Stretch rubber
2,5,6	1	9008342	Backrest f exible with adjustable straps active 46 x 44 Stretch rubber
2,5,6	1	1012303	Backrest f exible with adjustable straps active 46 x 50 Stretch rubber
2,5,6	1	1012304	Backrest f exible with adjustable straps active 46 x 56 Stretch rubber
2,5,6	1	9008343	Backrest f exible with adjustable straps active 50 x 44 Stretch rubber
2,5,6	1	1012305	Backrest f exible with adjustable straps active 50 x 50 Stretch rubber
2,5,6	1	1012306	Backrest f exible with adjustable straps active 50 x 56 Stretch rubber
2,5,6	1	9008344	Backrest f exible with adjustable straps active 54 x 44 Stretch rubber
2,5,6	1	1012307	Backrest f exible with adjustable straps active 54 x 50 Stretch rubber
2,5,6	1	1012308	Backrest f exible with adjustable straps active 54 x 56 Stretch rubber
6	1	9008062	Cover backrest f exible with adjustable straps active 42 x 44 Stretch rubber
6	1	9005499	Cover backrest f exible with adjustable straps active 42 x 50 Stretch rubber
6	1	9005500	Cover backrest f exible with adjustable straps active 42 x 56 Stretch rubber
6	1	9008063	Cover backrest f exible with adjustable straps active 46 x 44 Stretch rubber
6	1	9005501	Cover backrest f exible with adjustable straps active 46 x 50 Stretch rubber
6	1	9005502	Cover backrest f exible with adjustable straps active 46 x 56 Stretch rubber
6	1	9008064	Cover backrest f exible with adjustable straps active 50 x 44 Stretch rubber
6	1	9005503	Cover backrest f exible with adjustable straps active 50 x 50 Stretch rubber
6	1	9005504	Cover backrest f exible with adjustable straps active 50 x 56 Stretch rubber
6	1	9008065	Cover backrest f exible with adjustable straps active 54 x 44 Stretch rubber
6	1	9005505	Cover backrest f exible with adjustable straps active 54 x 50 Stretch rubber
6	1	9005506	Cover backrest f exible with adjustable straps active 54 x 56 Stretch rubber
2,5,7,8	1	9008337	Backrest f exible with adjustable straps active 42 x 44 Comfort
2,5,7,8	1	1012285	Backrest f exible with adjustable straps active 42 x 50 Comfort
2,5,7,8	1	1012286	Backrest f exible with adjustable straps active 42 x 56 Comfort
2,5,7,8	1	9008338	Backrest f exible with adjustable straps active 46 x 44 Comfort
2,5,7,8	1	1012287	Backrest f exible with adjustable straps active 46 x 50 Comfort
2,5,7,8	1	1012288	Backrest f exible with adjustable straps active 46 x 56 Comfort
2,5,7,8	1	9008339	Backrest f exible with adjustable straps active 50 x 44 Comfort
2,5,7,8	1	1012289	Backrest f exible with adjustable straps active 50 x 50 Comfort
2,5,7,8	1	1012290	Backrest f exible with adjustable straps active 50 x 56 Comfort
2,5,7,8	1	9008340	Backrest f exible with adjustable straps active 54 x 44 Comfort
2,5,7,8	1	1012291	Backrest f exible with adjustable straps active 54 x 50 Comfort
2,5,7,8	1	1012292	Backrest f exible with adjustable straps active 54 x 56 Comfort
7-8	1	9008054	Cover backrest f exible with adjustable straps active 42 x 44 Comfort
7-8	1	9005357	Cover backrest f exible with adjustable straps active 42 x 50 Comfort
7-8	1	9005358	Cover backrest f exible with adjustable straps active 42 x 56 Comfort
7-8	1	9008055	Cover backrest f exible with adjustable straps active 46 x 44 Comfort
7-8	1	9005359	Cover backrest f exible with adjustable straps active 46 x 50 Comfort
7-8	1	9005360	Cover backrest f exible with adjustable straps active 46 x 56 Comfort
7-8	1	9008056	Cover backrest f exible with adjustable straps active 50 x 44 Comfort
7-8	1	9005361	Cover backrest f exible with adjustable straps active 50 x 50 Comfort
7-8	1	9005362	Cover backrest f exible with adjustable straps active 50 x 56 Comfort
7-8	1	9008057	Cover backrest f exible with adjustable straps active 54 x 44 Comfort

Continued from 16 Sedeo Pro / Backrest f exible

Pos	Qty	Article no	Description
7-8	1	9005363	Cover backrest f exible with adjustable straps active 54 x 50 Comfort
7-8	1	9005364	Cover backrest f exible with adjustable straps active 54 x 56 Comfort
8	1	9008058	Top cover backrest f exible with adjustable straps active 42 x 44 Comfort
8	1	9005429	Top cover backrest f exible with adjustable straps active 42 x 50 Comfort
8	1	9005430	Top cover backrest f exible with adjustable straps active 42 x 56 Comfort
8	1	9008059	Top cover backrest f exible with adjustable straps active 46 x 44 Comfort
8	1	9005431	Top cover backrest f exible with adjustable straps active 46 x 50 Comfort
8	1	9005432	Top cover backrest f exible with adjustable straps active 46 x 56 Comfort
8	1	9008060	Top cover backrest f exible with adjustable straps active 50 x 44 Comfort
8	1	9005433	Top cover backrest f exible with adjustable straps active 50 x 50 Comfort
8	1	9005434	Top cover backrest f exible with adjustable straps active 50 x 56 Comfort
8	1	9008061	Top cover backrest f exible with adjustable straps active 54 x 44 Comfort
8	1	9005435	Top cover backrest f exible with adjustable straps active 54 x 50 Comfort
8	1	9005436	Top cover backrest f exible with adjustable straps active 54 x 56 Comfort
2,5,6	1	9008357	Extra deep backrest f exible with adjustable straps active 42 x 44 Stretch rubber
2,5,6	1	9008358	Extra deep backrest f exible with adjustable straps active 42 x 50 Stretch rubber
2,5,6	1	9008359	Extra deep backrest f exible with adjustable straps active 42 x 56 Stretch rubber
2,5,6	1	9008360	Extra deep backrest f exible with adjustable straps active 46 x 44 Stretch rubber
2,5,6	1	9008361	Extra deep backrest f exible with adjustable straps active 46 x 50 Stretch rubber
2,5,6	1	9008362	Extra deep backrest f exible with adjustable straps active 46 x 56 Stretch rubber
2,5,6	1	9008363	Extra deep backrest f exible with adjustable straps active 50 x 44 Stretch rubber
2,5,6	1	9008364	Extra deep backrest f exible with adjustable straps active 50 x 50 Stretch rubber
2,5,6	1	9008365	Extra deep backrest f exible with adjustable straps active 50 x 56 Stretch rubber
2,5,6	1	9008366	Extra deep backrest f exible with adjustable straps active 54 x 44 Stretch rubber
2,5,6	1	9008367	Extra deep backrest f exible with adjustable straps active 54 x 50 Stretch rubber
2,5,6	1	9008368	Extra deep backrest f exible with adjustable straps active 54 x 56 Stretch rubber
6	1	9008114	Cover extra deep backrest f exible with adjustable straps active 42 x 44 Stretch rubber
6	1	9008115	Cover extra deep backrest f exible with adjustable straps active 42 x 50 Stretch rubber
6	1	9008116	Cover extra deep backrest f exible with adjustable straps active 42 x 56 Stretch rubber
6	1	9008117	Cover extra deep backrest f exible with adjustable straps active 46 x 44 Stretch rubber
6	1	9008118	Cover extra deep backrest f exible with adjustable straps active 46 x 50 Stretch rubber
6	1	9008119	Cover extra deep backrest f exible with adjustable straps active 46 x 56 Stretch rubber
6	1	9008120	Cover extra deep backrest f exible with adjustable straps active 50 x 44 Stretch rubber
6	1	9008121	Cover extra deep backrest f exible with adjustable straps active 50 x 50 Stretch rubber
6	1	9008122	Cover extra deep backrest f exible with adjustable straps active 50 x 56 Stretch rubber
6	1	9008123	Cover extra deep backrest f exible with adjustable straps active 54 x 44 Stretch rubber
6	1	9008124	Cover extra deep backrest f exible with adjustable straps active 54 x 50 Stretch rubber
6	1	9008125	Cover extra deep backrest f exible with adjustable straps active 54 x 56 Stretch rubber
2,5,7,8	1	9008345	Extra deep backrest f exible with adjustable straps active 42 x 44 Comfort
2,5,7,8	1	9008346	Extra deep backrest f exible with adjustable straps active 42 x 50 Comfort
2,5,7,8	1	9008347	Extra deep backrest f exible with adjustable straps active 42 x 56 Comfort
2,5,7,8	1	9008348	Extra deep backrest f exible with adjustable straps active 46 x 44 Comfort
2,5,7,8	1	9008349	Extra deep backrest f exible with adjustable straps active 46 x 50 Comfort
2,5,7,8	1	9008350	Extra deep backrest f exible with adjustable straps active 46 x 56 Comfort
2,5,7,8	1	9008351	Extra deep backrest f exible with adjustable straps active 50 x 44 Comfort
2,5,7,8	1	9008352	Extra deep backrest f exible with adjustable straps active 50 x 50 Comfort
2,5,7,8	1	9008353	Extra deep backrest f exible with adjustable straps active 50 x 56 Comfort
2,5,7,8	1	9008354	Extra deep backrest f exible with adjustable straps active 54 x 44 Comfort
2,5,7,8	1	9008355	Extra deep backrest f exible with adjustable straps active 54 x 50 Comfort
2,5,7,8	1	9008356	Extra deep backrest f exible with adjustable straps active 54 x 56 Comfort
7-8	1	9008090	Cover extra deep backrest f exible with adjustable straps active 42 x 44 Comfort
7-8	1	9008091	Cover extra deep backrest f exible with adjustable straps active 42 x 50 Comfort
7-8	1	9008092	Cover extra deep backrest f exible with adjustable straps active 42 x 56 Comfort
7-8	1	9008093	Cover extra deep backrest f exible with adjustable straps active 46 x 44 Comfort
7-8	1	9008094	Cover extra deep backrest f exible with adjustable straps active 46 x 50 Comfort
7-8	1	9008095	Cover extra deep backrest f exible with adjustable straps active 46 x 56 Comfort
7-8	1	9008096	Cover extra deep backrest f exible with adjustable straps active 50 x 44 Comfort
7-8	1	9008097	Cover extra deep backrest f exible with adjustable straps active 50 x 50 Comfort

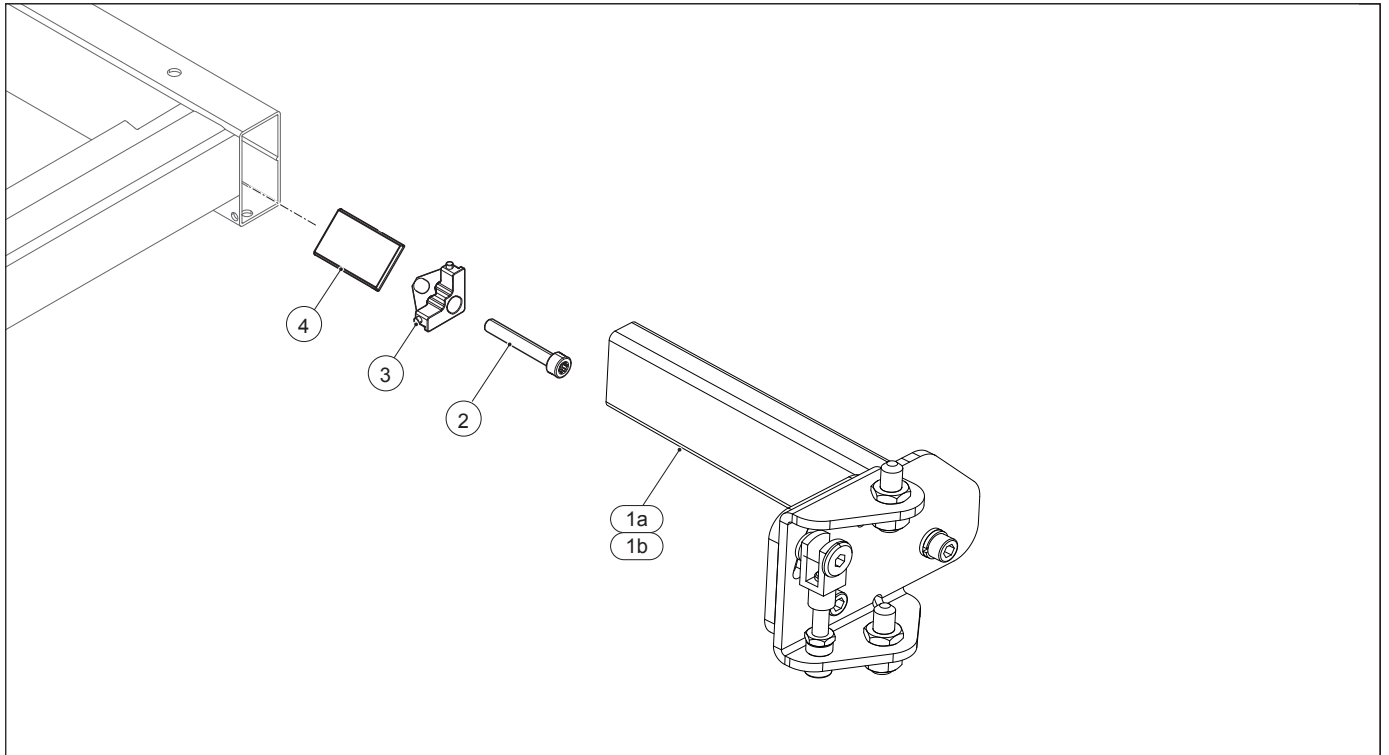
Continued from **16 Sedeo Pro / Backrest f exible**

Pos	Qty	Article number	Description
7-8	1	9008098	Cover extra deep backrest f exible with adjustable straps active 50 x 56 Comfort
7-8	1	9008099	Cover extra deep backrest f exible with adjustable straps active 54 x 44 Comfort
7-8	1	9008100	Cover extra deep backrest f exible with adjustable straps active 54 x 50 Comfort
7-8	1	9008101	Cover extra deep backrest f exible with adjustable straps active 54 x 56 Comfort
8	1	9008102	Topcover extra deep backrest f exible with adjustable straps active 42 x 44 Comfort
8	1	9008103	Topcover extra deep backrest f exible with adjustable straps active 42 x 50 Comfort
8	1	9008104	Topcover extra deep backrest f exible with adjustable straps active 42 x 56 Comfort
8	1	9008105	Topcover extra deep backrest f exible with adjustable straps active 46 x 44 Comfort
8	1	9008106	Topcover extra deep backrest f exible with adjustable straps active 46 x 50 Comfort
8	1	9008107	Topcover extra deep backrest f exible with adjustable straps active 46 x 56 Comfort
8	1	9008108	Topcover extra deep backrest f exible with adjustable straps active 50 x 44 Comfort
8	1	9008109	Topcover extra deep backrest f exible with adjustable straps active 50 x 50 Comfort
8	1	9008110	Topcover extra deep backrest f exible with adjustable straps active 50 x 56 Comfort
8	1	9008111	Topcover extra deep backrest f exible with adjustable straps active 54 x 44 Comfort
8	1	9008112	Topcover extra deep backrest f exible with adjustable straps active 54 x 50 Comfort
8	1	9008113	Topcover extra deep backrest f exible with adjustable straps active 54 x 56 Comfort
-	-	1015093	Sellaskin Sedeo Pro (per meter)
-	-	1015091	Comfort fabric (per meter)
-	-	00004.0291	Black Stretch rubber (per meter)

17 Sedeo Original / Mounting bracket for legrest

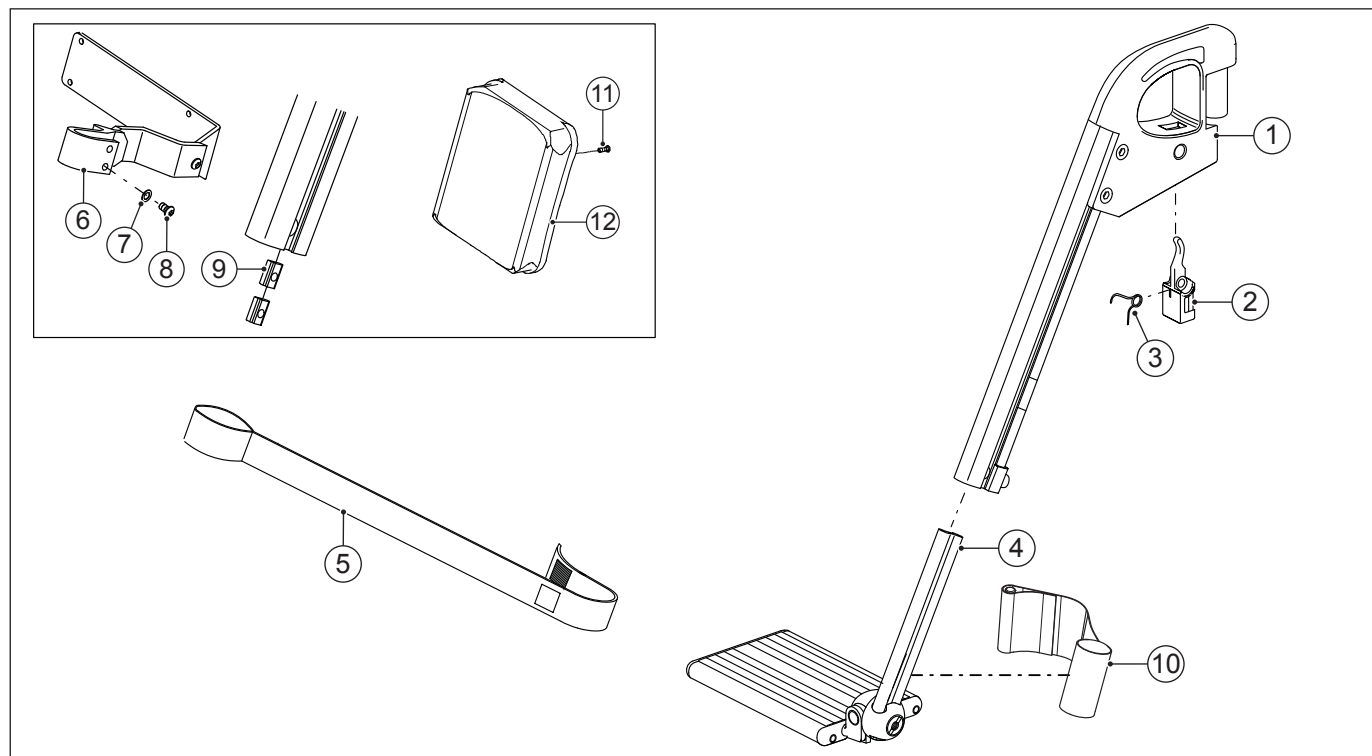
Pos	Qty	Article number	Description
1a	1	9001156	Legrest holder right
1b	1	9001155	Legrest holder left
2	2	1015338	Torx socket head screw M6x50 iso 14579 (100 pieces)
2-4	1	1010873	Legrest clamp, set
5	2	9002923	Legrest harness

18 Mounting bracket for heavy duty legrest



Pos	Qty	Article number	Description
1a,2-4	1	1016567	Legrest insert tube heavy duty, right
1b,2-4	1	1016568	Legrest insert tube heavy duty, left
1-4	1	1016569	Legrest insert tube heavy duty, set
2-4	2	1010873	Legrest clamp, set

19 Sedeo Original / Standard legrest

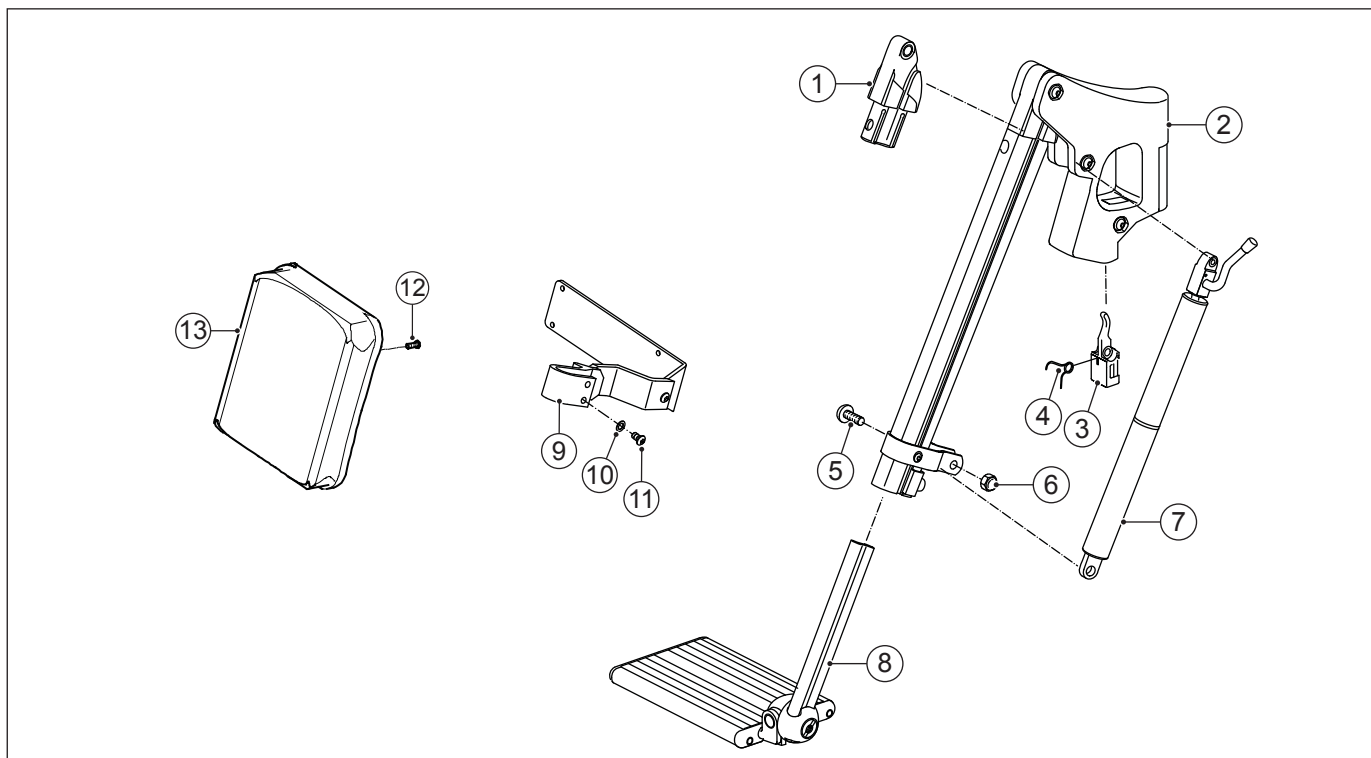


Pos	Qty	Article number	Description
1-3	1	1002514	Sedeo Original standard legrest upper part right
1-3	1	1002515	Sedeo Original standard legrest upper part left
1-4	1	1003563	Sedeo Original standard legrest for SW 42 cm (size 15) right
1-4	1	01500.9019	Sedeo Original standard legrest for SW 46 cm (size 17) right
1-4	1	1003565	Sedeo Original standard legrest for SW 50 cm (size 19) right
1-4	1	1003567	Sedeo Original standard legrest for SW 54 cm (size 21) right
1-4	1	1003562	Sedeo Original standard legrest for SW 42 cm (size 15) left
1-4	1	01500.9119	Sedeo Original standard legrest for SW 46 cm (size 17) left
1-4	1	1003564	Sedeo Original standard legrest for SW 50 cm (size 19) left
1-4	1	1003566	Sedeo Original standard legrest for SW 54 cm (size 21) left
2	2	01500.1112	Legrest release lever
3	2	01500.2212	Legrest release spring
4	1	140.00171.000	Sedeo Original footplate for SW 42 cm (size 15) right
4	1	140.00121.000	Sedeo Original footplate for SW 46 cm (size 17) right
4	1	140.00181.000	Sedeo Original footplate for SW 50 cm (size 19) right
4	1	1003220	Sedeo Original footplate for SW 54 cm (size 21) right
4	1	140.00201.000	Sedeo Original footplate for SW 42 cm (size 15) left
4	1	140.00131.000	Sedeo Original footplate for SW 46 cm (size 17) left
4	1	140.00211.000	Sedeo Original footplate for SW 50 cm (size 19) left
4	1	1003219	Sedeo Original footplate for SW 54 cm (size 21) left
5	1	01263.9000	Calf strap
6-9	2	1004189	Calf plate hinge standard
6-9	2	1004188	Calf plate hinge small
7	4	00000.2601	Toothed spring washer M6
8	4	00000.3725	Button head M6X10
9	4	01500.2110	Legrest clamping strip short
10	1	01273.9110	Canvas heel support left = right
11	4	00000.3206	Screw M5x16
11,12	1	220.00121.505	Calf plate standard
11,12	1	220.00141.505	Calf plate small
-	1	01503.8000	Sedeo Original standard legrest top complete right
-	1	01503.8100	Sedeo Original standard legrest top complete left
-	1	1015137	Sedeo Original standard legrests with calf strap for SW 42 cm, set (mounting brackets included)
-	1	1015138	Sedeo Original standard legrests with calf strap for SW 46 cm, set (mounting brackets included)

Continued from 19 Sedeo Original / Standard legrest

Pos	Qty	Article number	Description
-	1	1015139	Sedeo Original standard legrests with calf strap for SW 50 cm, set (mounting brackets included)
-	1	1015140	Sedeo Original standard legrests with calf strap for SW 54 cm, set (mounting brackets included)
-	1	1015141	Sedeo Original standard legrests with calf support for SW 42 cm, set (mounting brackets included)
-	1	1015142	Sedeo Original standard legrests with calf support for SW 46 cm, set (mounting brackets included)
-	1	1015143	Sedeo Original standard legrests with calf support for SW 50 cm, set (mounting brackets included)
-	1	1015144	Sedeo Original standard legrests with calf support for SW 54 cm, set (mounting brackets included)
-	1	9006539	Torx set Sedeo Original legrest
-	2	1002599	Legrest inner extrusion 10 cm extended
-	2	1005119	Depth adjustable calf plate bracket (max. 4,5 cm)
-	1	1005160	Depth adjustable calf plate bracket (max. 4,5 cm), set

20 Sedeo Original / Manually elevating legrest

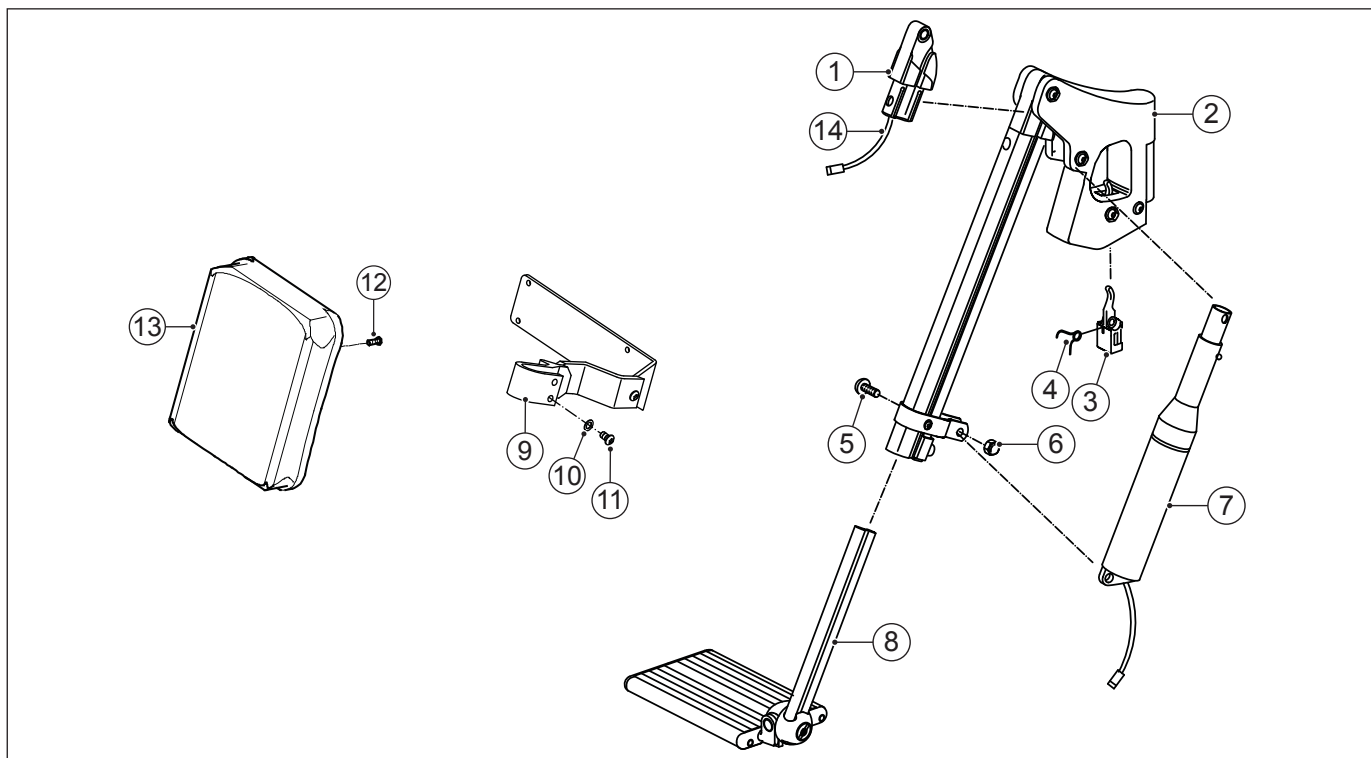


Pos	Qty	Article number	Description
1	2	1008580	Hinge Sedeo Original manually elevating legrest
1-7	1	1002516	Sedeo Original manually elevating legrest upper part right
1-7	1	1002517	Sedeo Original manually elevating legrest upper part left
1-11	1	140.00351.000	Sedeo Original manually elevating legrest for SW 42 cm (size 15) right
1-11	1	01500.9219	Sedeo Original manually elevating legrest for SW 46 cm (size 17) right
1-11	1	140.00361.000	Sedeo Original manually elevating legrest for SW 50 cm (size 19) right
1-11	1	1003601	Sedeo Original manually elevating legrest for SW 54 cm (size 21) right
1-11	1	140.00321.000	Sedeo Original manually elevating legrest for SW 42 cm (size 15) left
1-11	1	01500.9319	Sedeo Original manually elevating legrest for SW 46 cm (size 17) left
1-11	1	140.00331.000	Sedeo Original manually elevating legrest for SW 50 cm (size 19) left
1-11	1	1003598	Sedeo Original manually elevating legrest for SW 54 cm (size 21) left
3	2	01500.1112	Legrest release lever
4	2	01500.2212	Legrest release spring
5	2	00000.3706	Button head M8X25
6	2	00000.1802	Cap lock nut M8
7	1	1008077	Gaspring with gaspring control right
7	1	1008076	Gaspring with gaspring control left
-	1	1009968	Gaspring 200N
8	1	140.00171.000	Sedeo Original footplate for SW 42 cm (size 15) right
8	1	140.00121.000	Sedeo Original footplate for SW 46 cm (size 17) right
8	1	140.00181.000	Sedeo Original footplate for SW 50 cm (size 19) right
8	1	1003220	Sedeo Original footplate for SW 54 cm (size 21) right
8	1	140.00201.000	Sedeo Original footplate for SW 42 cm (size 15) left
8	1	140.00131.000	Sedeo Original footplate for SW 46 cm (size 17) left
8	1	140.00211.000	Sedeo Original footplate for SW 50 cm (size 19) left
8	1	1003219	Sedeo Original footplate for SW 54 cm (size 21) left
9-11	2	1004189	Calf plate hinge standard
9-11	2	1004188	Calf plate hinge small
10	4	00000.2601	Toothed spring washer M6
11	4	00000.3725	Button head M6X10
12	4	00000.3206	Screw M5x16
12,13	1	220.00121.505	Calf plate standard
12,13	1	220.00141.505	Calf plate small
-	1	01503.8200	Sedeo Original manually elevating legrest top complete right
-	1	01503.8300	Sedeo Original manually elevating legrest top complete left

Continued from 20 Sedeo Original / Manually elevating legrest

Pos	Qty	Article number	Description
-	1	1015145	Sedeo Original manually elevating legrests with calf support for SW 42 cm, set (mounting brackets included)
-	1	1015146	Sedeo Original manually elevating legrests with calf support for SW 46 cm, set (mounting brackets included)
-	1	1015147	Sedeo Original manually elevating legrests with calf support for SW 50 cm, set (mounting brackets included)
-	1	1015148	Sedeo Original manually elevating legrests with calf support for SW 54 cm, set (mounting brackets included)
-	1	9006539	Torx set Sedeo Original legrest
-	2	1002599	Legrest inner extrusion 10 cm extended
-	2	1005119	Depth adjustable calf plate bracket (max. 4,5 cm)
-	1	1005160	Depth adjustable calf plate bracket (max. 4,5 cm), set

21 Sedeo Original / Electrically elevating legrest

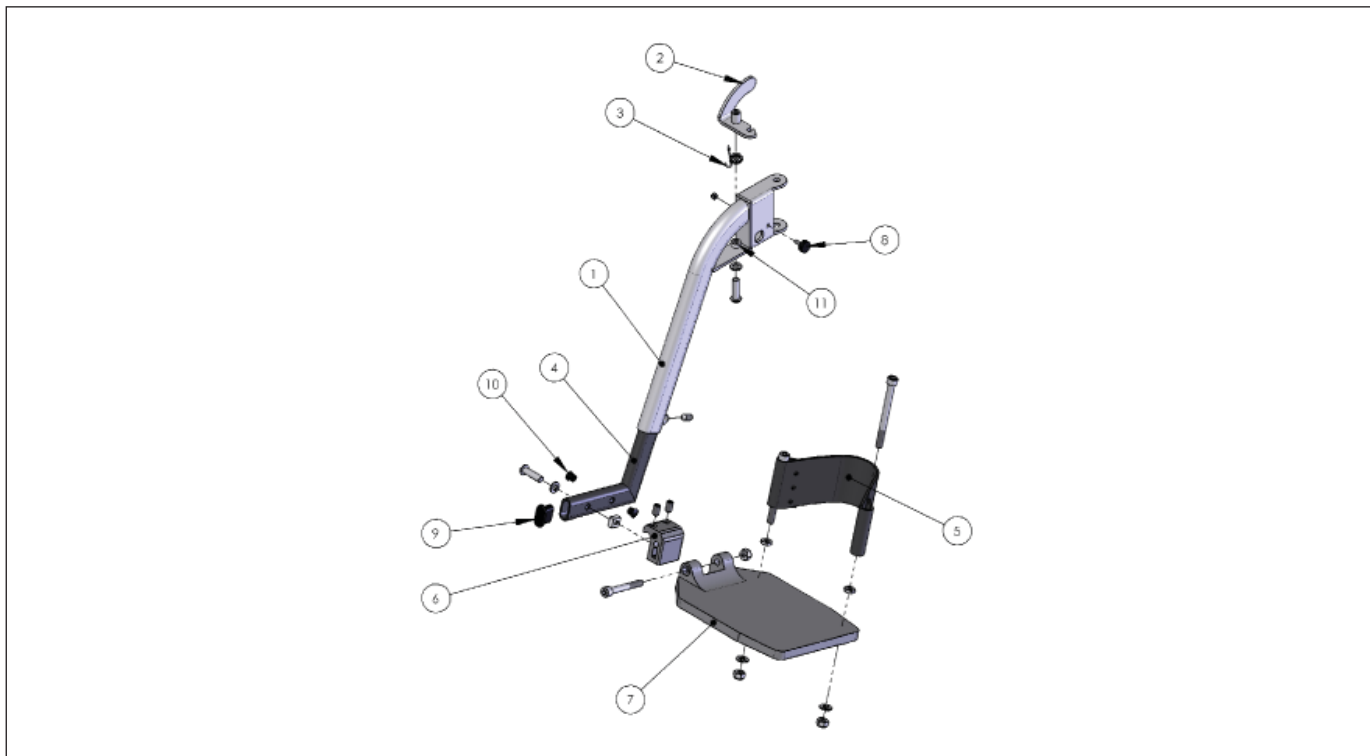


Pos	Qty	Article number	Description
1	2	1008580	Hinge Sedeo Original manually elevating legrest
1-7	1	1003028	Sedeo Original electrically elevating legrest upper part right
1-7	1	1003029	Sedeo Original electrically elevating legrest upper part left
1-11	1	1003618	Sedeo Original electrically elevating legrest for SW 42 cm (size 15) right
1-11	1	01502.9013	Sedeo Original electrically elevating legrest for SW 46 cm (size 17) right
1-11	1	1003619	Sedeo Original electrically elevating legrest for SW 50 cm (size 19) right
1-11	1	1003620	Sedeo Original electrically elevating legrest for SW 54 cm (size 21) right
1-11	1	1003613	Sedeo Original electrically elevating legrest for SW 42 cm (size 15) left
1-11	1	01502.9113	Sedeo Original electrically elevating legrest for SW 46 cm (size 17) left
1-11	1	1003614	Sedeo Original electrically elevating legrest for SW 50 cm (size 19) left
1-11	1	1003615	Sedeo Original electrically elevating legrest for SW 54 cm (size 21) left
3	2	01500.1112	Legrest release lever
4	2	01500.2212	Legrest release spring
5	2	00000.3706	Button head M8X25
6	2	00000.1802	Cap lock nut M8
7	2	9001232	Legrest actuator inc. kabel
8	1	140.00171.000	Sedeo Original footplate for SW 42 cm (size 15) right
8	1	140.00121.000	Sedeo Original footplate for SW 46 cm (size 17) right
8	1	140.00181.000	Sedeo Original footplate for SW 50 cm (size 19) right
8	1	1003220	Sedeo Original footplate for SW 54 cm (size 21) right
8	1	140.00201.000	Sedeo Original footplate for SW 42 cm (size 15) left
8	1	140.00131.000	Sedeo Original footplate for SW 46 cm (size 17) left
8	1	140.00211.000	Sedeo Original footplate for SW 50 cm (size 19) left
8	1	1003219	Sedeo Original footplate for SW 54 cm (size 21) left
9-11	2	1004189	Calf plate hinge standard
9-11	2	1004188	Calf plate hinge small
10	2	00000.2601	Toothed spring washer M6
11	2	00000.3725	Button head M6X10
12	4	00000.3206	Screw M5x16
12,13	1	220.00121.505	Calf plate standard
12,13	1	220.00141.505	Calf plate small
14	2	9001233	Legrest actuator harness
-	1	01503.8400	Sedeo Original electrically elevating legrest top complete right
-	1	01503.8500	Sedeo Original electrically elevating legrest top complete left
-	1	1015149	Sedeo Original electrically elevating legrests with calf support for SW 42 cm, set (mounting brackets included)

Continued from 21 Sedeo Original / Electrically elevating legrest

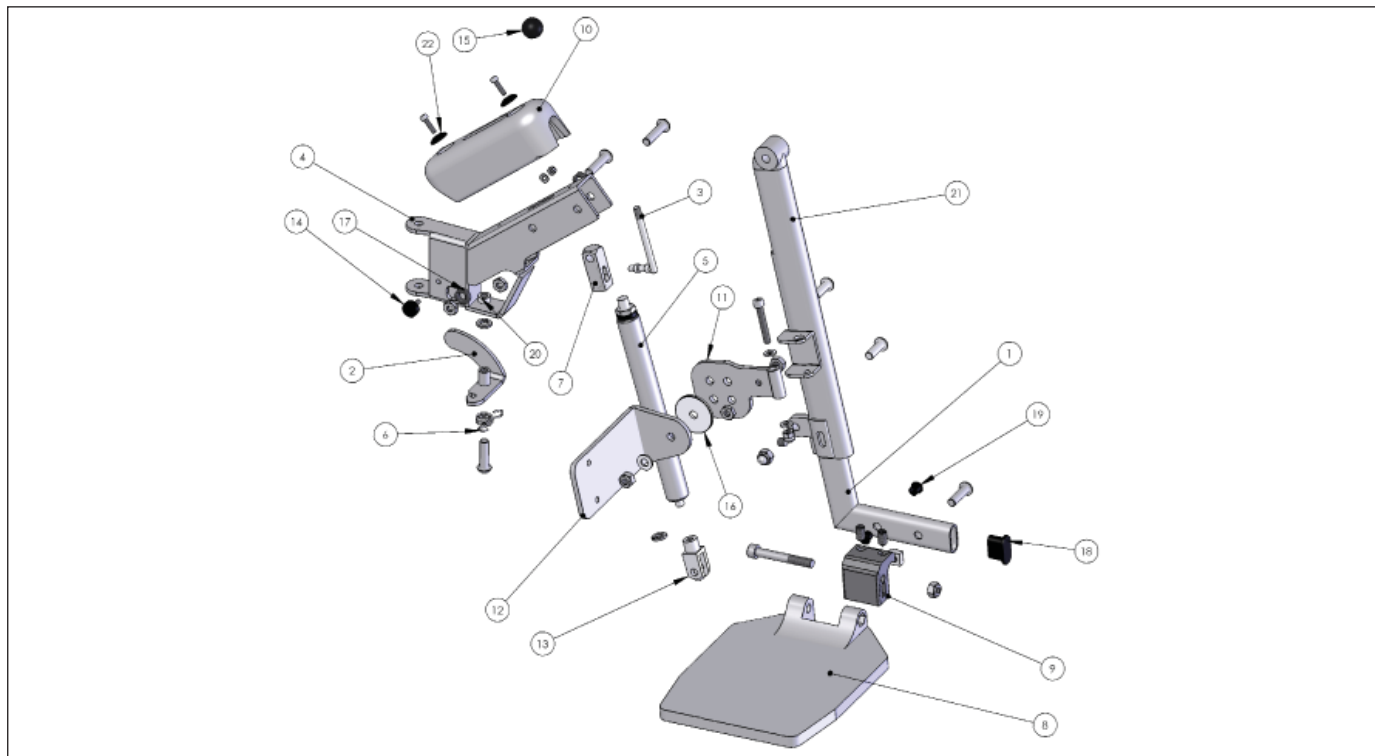
Pos	Qty	Article number	Description
-	1	1015150	Sedeo Original electrically elevating legrests with calf support for SW 46 cm,set (mounting brackets included)
-	1	1015151	Sedeo Original electrically elevating legrests with calf support for SW 50 cm,set (mounting brackets included)
-	1	1015152	Sedeo Original electrically elevating legrests with calf support for SW 54 cm,set (mounting brackets included)
-	1	9006539	Torx set Sedeo Original legrest
-	2	1002599	Legrest inner extrusion 10 cm extended
-	2	1005119	Depth adjustable calf plate bracket (max. 4,5 cm)
-	1	1005160	Depth adjustable calf plate bracket (max. 4,5 cm), set

22 Standard heavy duty legrest



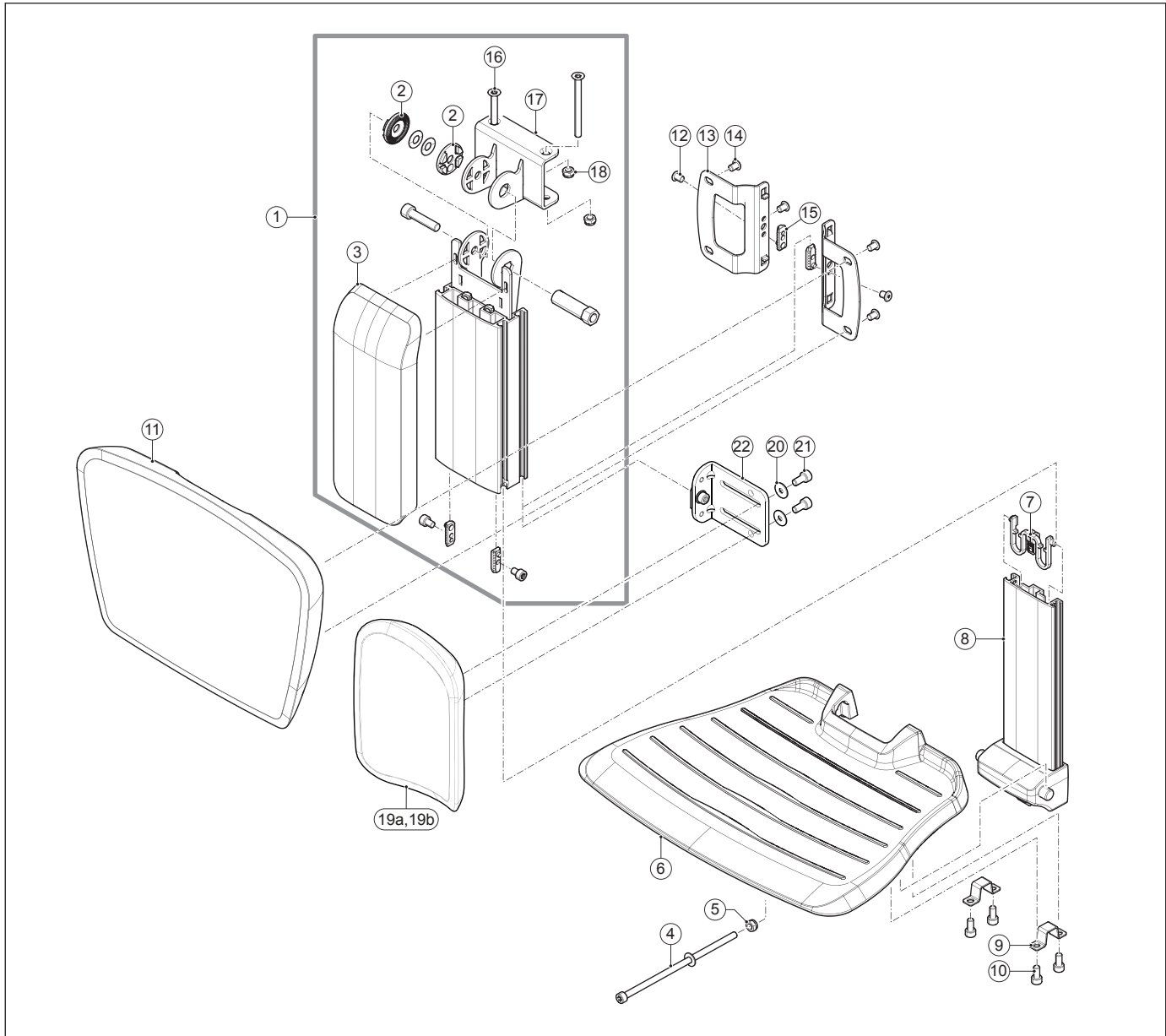
Pos	Qty	Article number	Description
1	1	14003	Upper tube standard leg rest, left
1	1	14004	Upper tube standard leg rest, right
2	1	14005	Leg rest release lever, left
2	1	14006	Leg rest release lever, right
3	1	14011	Spring release lever, left
3	1	14014	Spring release lever, right
4	1	14007	Lower tube, leg rest
5	1	1008816	Heel loop
6	1	14009	Ankle hinge
7	1	14008	Footplate
8	1	91039	Vibration damper, M4x13
9	1	8049150	Insert cap, flat, oval, 30x15
10	2	91065	Decorative plug, 8.5x12x8
11	1	8600620	Bling rivet nut M8
-	1	BS10000L	Standard heavy duty legrest, left
-	1	BS10000R	Standard heavy duty legrest, right
-	1	BS10000	Standard heavy duty legrest, set
-	1	15402	Calf plate 40 - 45 - 50 cm

23 Comfort heavy duty legrest



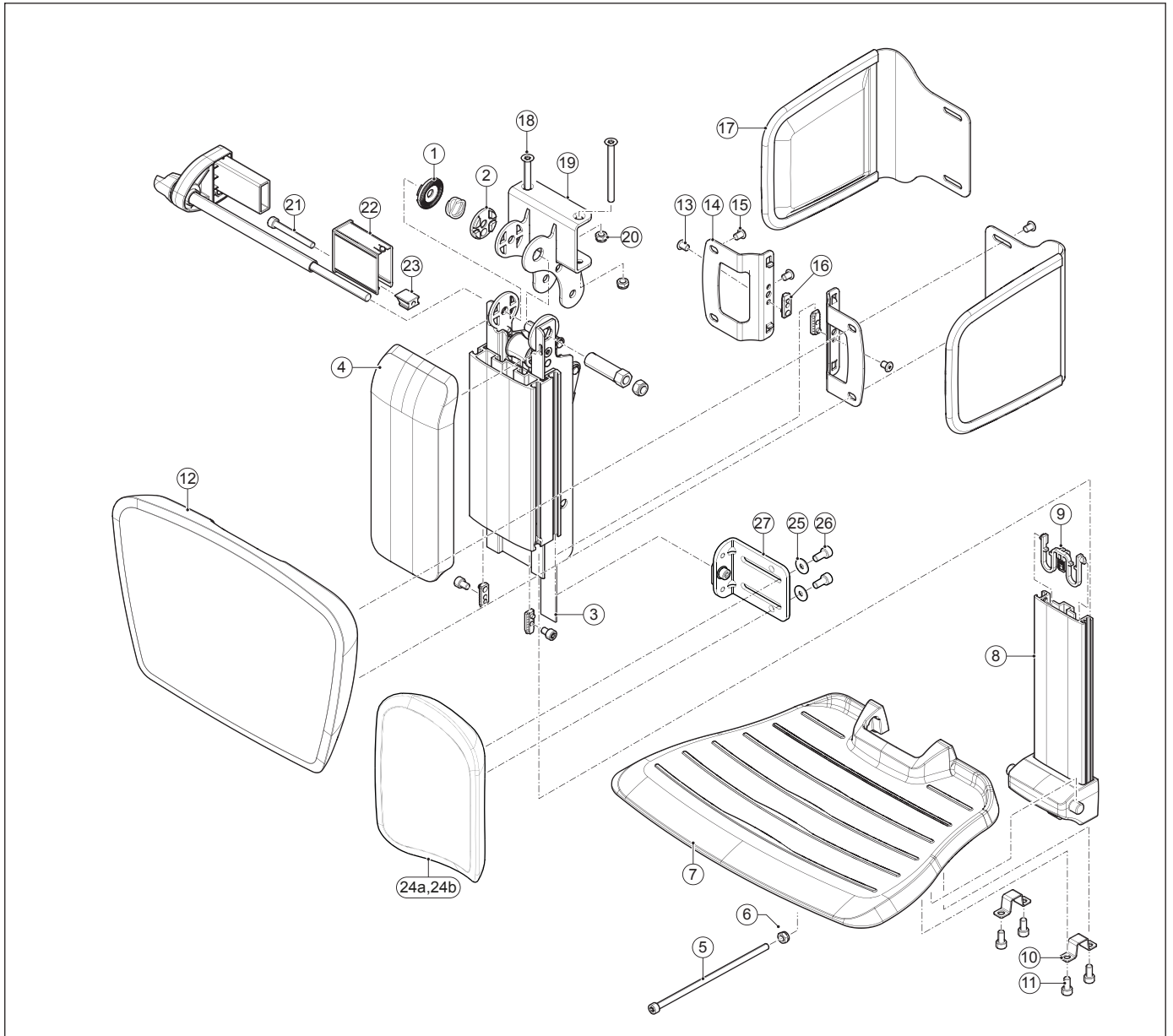
Pos	Qty	Article number	Description
1	1	14007	Lower tube, leg rest
2	1	14005	Leg rest release lever, left
2	1	14006	Leg rest release lever, right
3	1	14036	Operating lever for comfort leg rest
4	1	14015	Leg rest head for comfort leg rest, left
4	1	14016	Leg rest head for comfort leg rest, right
5	1	91025	Gas spring for comfort leg rest
6	1	14011	Spring release lever, left
6	1	14014	Spring release lever, right
7	1	91040	Control block, gas spring, right-angled (excluding lever and knob)
8	1	14008	Footplate
9	1	14009	Ankle hinge
10	1	14023	Cap, comfort leg rest
11	1	14026	Hinge, calf support
12	1	14027	Calf support bracket
13	1	001.14080.002	Fork, M8x16
14	1	91039	Vibration damper, M4x13
15	1	8600282	Ball knob M6 R/20 black
16	1	99030	Washer nylon 8,4x40
17	2	91046	Fixing ring
18	1	8049150	Insert cap, fat, oval, 30x15
19	2	91065	Decorative plug, 8.5x12x8
20	1	8600620	Bling rivet nut M8
21	1	14029	Upper tube, comfort leg rest, left
21	1	14030	Upper tube, comfort leg rest, right
22	2	00000.7001	Plastic Washer M5
-	1	BS10322L	Comfort heavy duty legrest, left
-	1	BS10322R	Comfort heavy duty legrest, right
-	1	BS10322	Comfort heavy duty legrest, set
-	1	15402	Calf plate 40 - 45 - 50 cm

24 Sedeo Pro / Central legrest

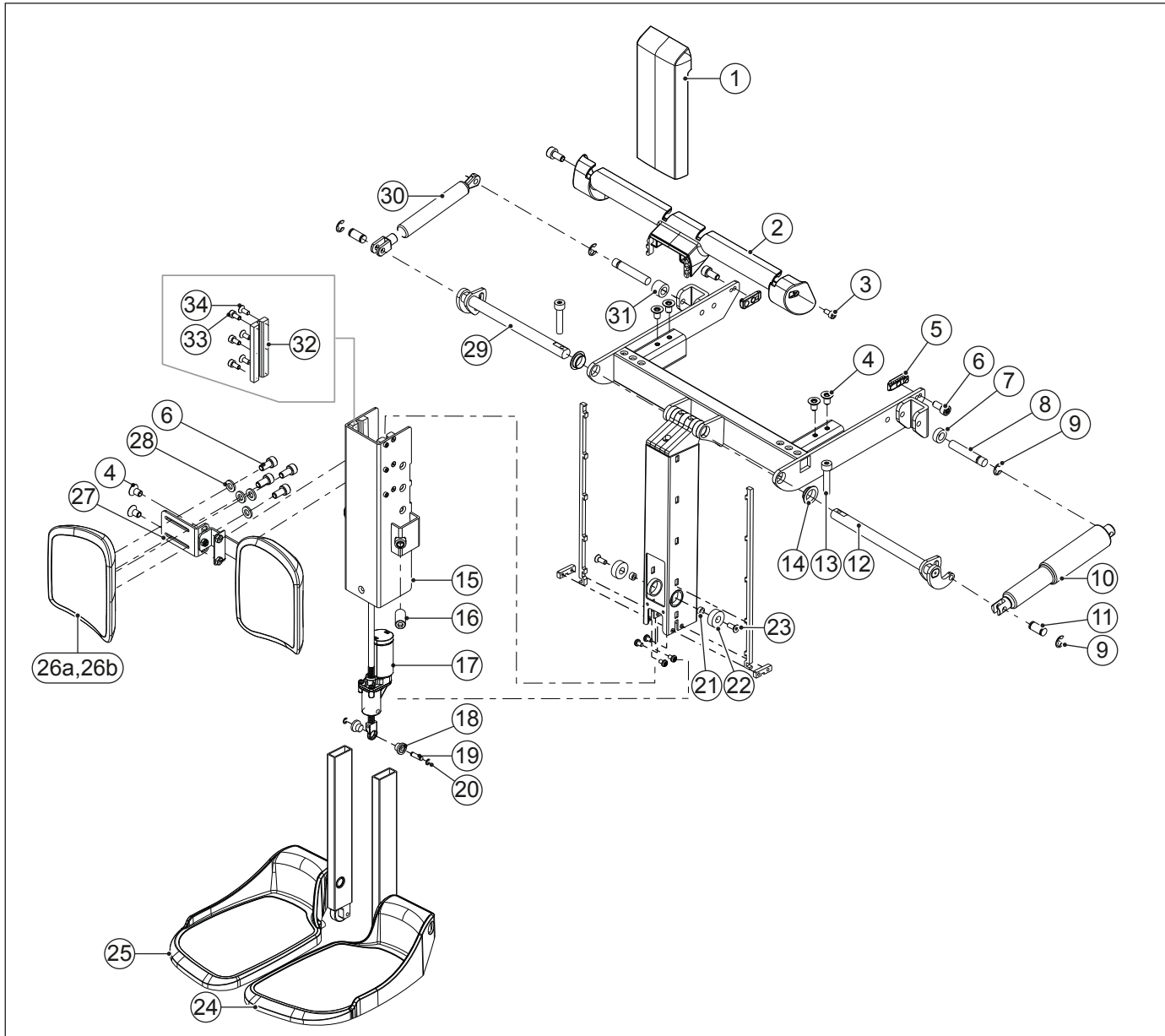


Pos	Qty	Article number	Description
1	1	1010941	Standard central legrest upper part
1-10,16-18	1	1011156	Standard central legrest
1-18	1	1011157	Standard central legrest with calf plate
2	1	1010943	Adjustment wheel, set
3	1	1010942	Central legrest cover
4	1	9003894	Angle adjustment bolt
5	1	-	Lock nut M6 D985/8/VZ
4-10	1	1010939	Central legrest lower part
4,5,6,9,10	1	1010940	Footplate
10	4	1015332	Torx socket head screw M6x12 iso14579 Precote 85 (100 pieces)
11-15	1	1010948	Central legrest calf plate with mousing set
11,14	1	1010947	Central legrest calf plate
12,13,15	1	1010946	Central legrest calf plate mounting, set
12	2	1015330	Torx socket head screw M6x8 din 7984T Precote 85 (100 pieces)
14	4	1015330	Torx socket head screw M6x8 din 7984T Precote 85 (100 pieces)
16-18	1	1016446	Standard central legrest mounting bracket
19a,20,21	2	1016775	Separate calf plate for central legrest (L=R)
19b,20,21	2	1016776	Separate calf plate side support for central legrest (L=R)
19a,20-22	2	9010234	Separate calf plate for central legrest with mounting set (L=R)

25 Sedeo Pro / Manually elevating central legrest

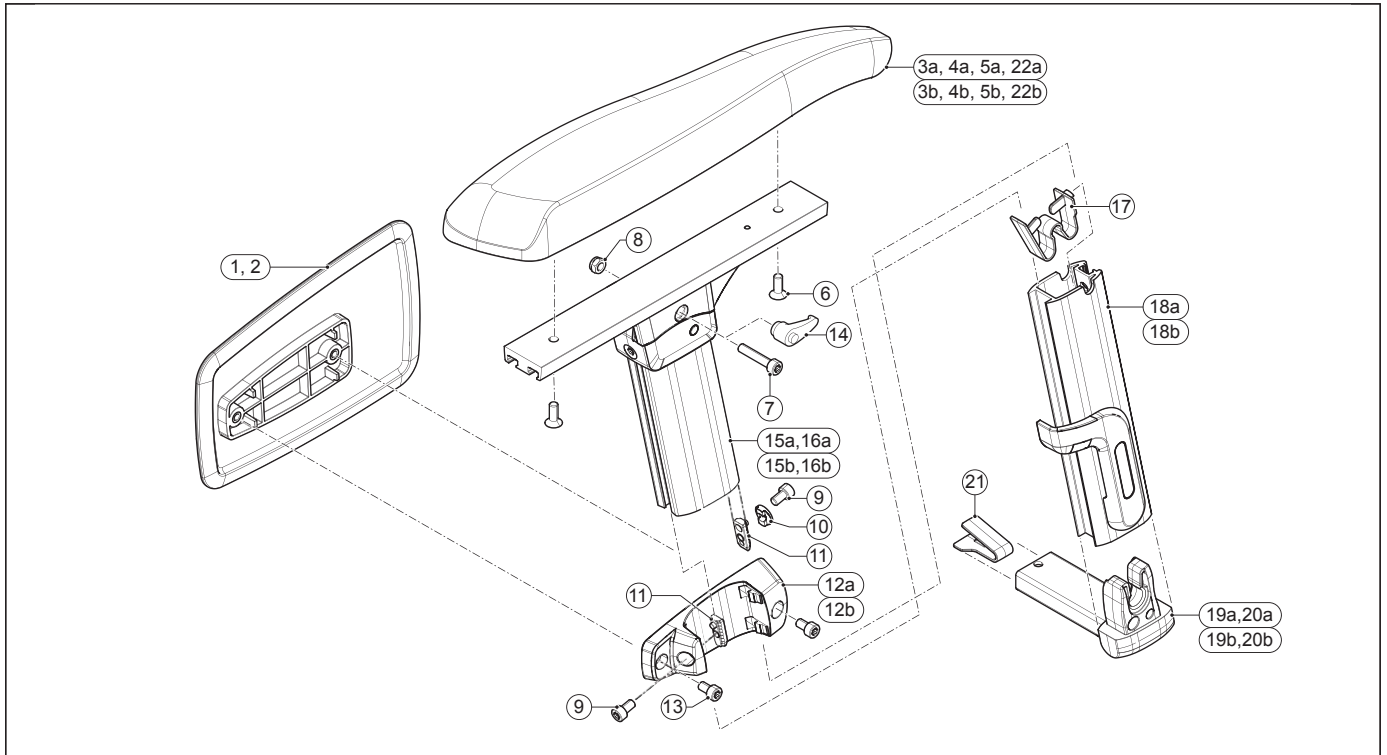


Pos	Qty	Article number	Description
1-4,18-23	1	1010944	Manually elevating central legrest upper part
1-11,18-23	1	1011158	Manually elevating central legrest
1-16,18-23	1	1011159	Manually elevating central legrest with calf plate
1,2	1	1010943	Adjustment wheel, set
3	1	1010945	Manually elevating central legrest strap
4	1	1010942	Central legrest cover
5	1	9003894	Angle adjustment bolt
6	1	-	Lock nut M6 D985/8/VZ
5-11	1	1010939	Central legrest lower part
5-7,10,11	1	1010940	Footplate
11	4	1015332	Torx socket head screw M6x12 iso14579 Precote 85 (100 pieces)
12-16	1	1010948	Central legrest calf plate with mousing set
12	1	1010947	Central legrest calf plate
13-16	1	1010946	Central legrest calf plate mounting set
13	2	1015330	Torx socket head screw M6x8 din 7984T Precote 85 (100 pieces)
15	4	1015330	Torx socket head screw M6x8 din 7984T Precote 85 (100 pieces)
17	1	1010981	Calf support side plate, set
18-20	1	1016447	Manually elevating central legrest mounting bracket
21-23	1	1017019	Front profile sleeve
24a,25,26	2	1016775	Separate calf plate for central legrest (L=R)
24b,25,26	2	1016776	Separate calf plate side support for central legrest (L=R)
24a,25-27	2	9010234	Separate calf plate for central legrest with mounting set (L=R)

26 Sedeo Pro / Electrically elevating central legrest (only i.c.w. R-net/DX2)


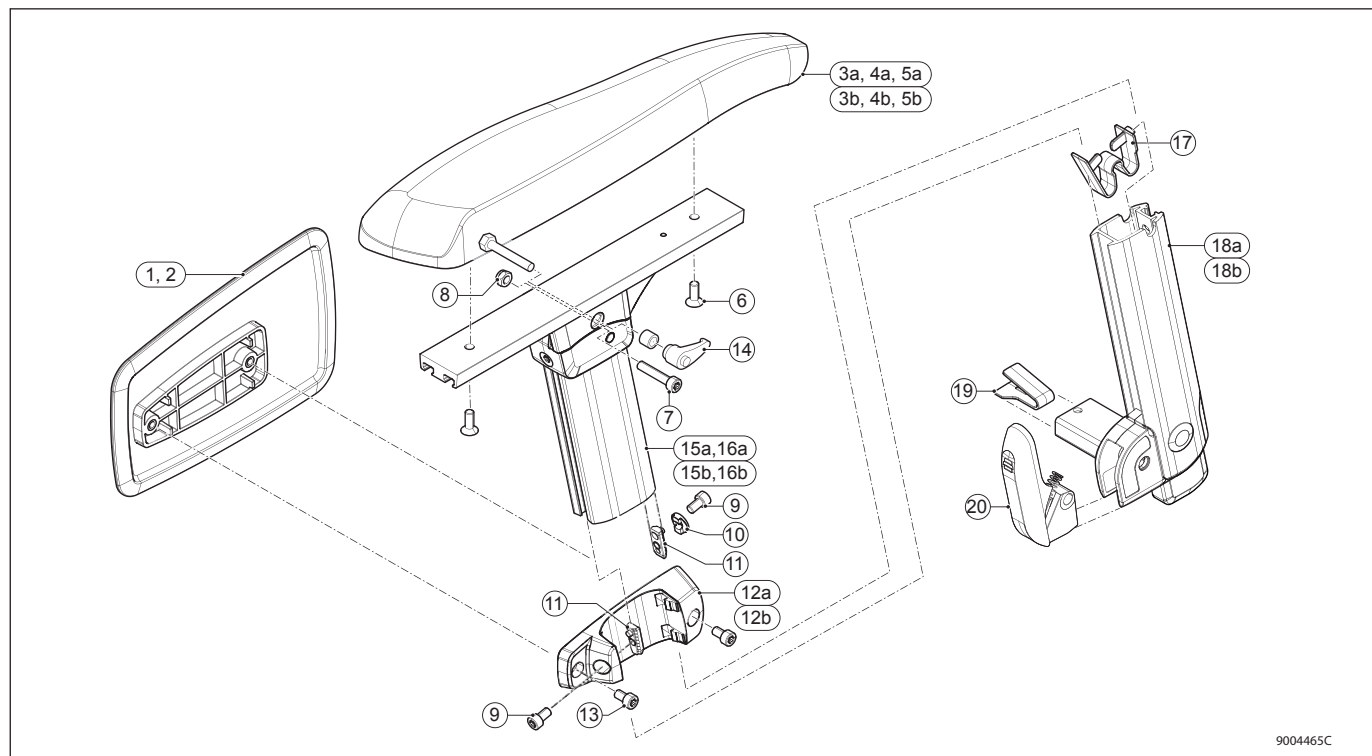
Pos	Qty	Article number	Description
1	1	1016763	Front cover
2,3	1	1016764	Axle cover
4	8	1016778	Torx countersunk socket head screw M6x10 ISO10642 (100 pieces)
4,6,26a,27,28	1	1016774	Calf plate bracket complete with calf plates
4,6,26b,27,28	1	1016782	Calf plate bracket complete with calf plates side support
4,27	1	1016777	Calf plate mounting bracket
5	2	1010881	Clamp nut prof les (10 pieces)
6	10	1015332	Torx socket head screw M6x12 ISO14579 (100 pieces)
6,26a,28	2	1016775	Separate calf plate for central legrest (L=R)
6,26b,28	2	1016776	Separate calf plate side support for central legrest (L=R)
7-11	1	1016768	Tilt actuator
8,9,11,30,31	1	1016767	Gas spring
12-14	1	1016766	Tilt actuator axle
13	2	1016780	Torx socket head screw M6x30 ISO14579 (100 pieces)
13,14,29	1	1016765	Gas spring axle
15,16,32-34	1	1016770	Outside prof le
17-23	1	1016769	Height adjustment actuator
24	1	1016773	Footplate left
25	1	1016772	Footplate right
32-34	1	1016771	Slider bearing
1-25,29-34	1	1016781	Electrical elevating central legrest without calfplates

27 Sedeo Pro / Removable armrest



Pos	Qty	Article number	Description
1,13	2	1010911	Side plate PA
1,9,11,12a,12b,13	2	1016186	Side plate PA set incl mounting bracket
2,13	2	1010912	Side support PU
2,9,11,12a,12b,13	2	1016187	Side support PU, set, incl. mounting bracket
3a,6	1	1010905	Armrest pad 40 cm, right
3b,6	1	1010904	Armrest pad 40 cm, left
4a,6	1	1010907	Armrest pad narrow, 40 cm, right
4b,6	1	1010906	Armrest pad narrow, 40 cm, left
5a,6	1	1010908	Armrest pad 30 cm, right
5b,6	1	1010909	Armrest pad 30 cm, left
6	4	1015340	Torx countersunk socket head screw M6x20 iso10642 Precote 85 (100 pieces)
7	2	1015335	Torx socket head screw M6x30 iso14579 (100 pieces)
7-11,15a	1	1010915	Armrest upper part, right
7-11,15b	1	1010913	Armrest upper part, left
7-11,16a	1	1010976	Armrest upper part 10 cm extended, right
7-11,16b	1	1010975	Armrest upper part 10 cm extended, left
8,14	2	9004725	Wing bolt Armrest angle adjuster
9	2	1015331	Torx socket head screw M6x10 iso14579 Precote 85 (100 pieces)
9,11,12a,12b	1	1010910	Side supports mounting set
11	4	1010881	Clamp nut (10 pieces)
13	4	1015332	Torx socket head screw M6x12 iso14579 Precote 85 (100 pieces)
17	2	1010898	Armrest height locking clip (10 pieces)
17,18a	1	1010903	Removable armrest lower, right
17,18b	1	1010901	Removable armrest lower, left
19a,21	1	1010902	Removable armrest socket, right
19b,21	1	1010900	Removable armrest socket, left
20a,21	1	1010974	Removable armrest socket extended, right
20b,21	1	1010973	Removable armrest socket extended, left
7-11,15a,15b,17,18a,18b,19a,19b,21	1	1016188	Removable armrest, set
21	2	1010899	Armrest width locking clip (10 pieces)
22a,6	1	1016558	Armrest pad wide 45 cm, right
22b,6	1	1016559	Armrest pad wide 45 cm, left

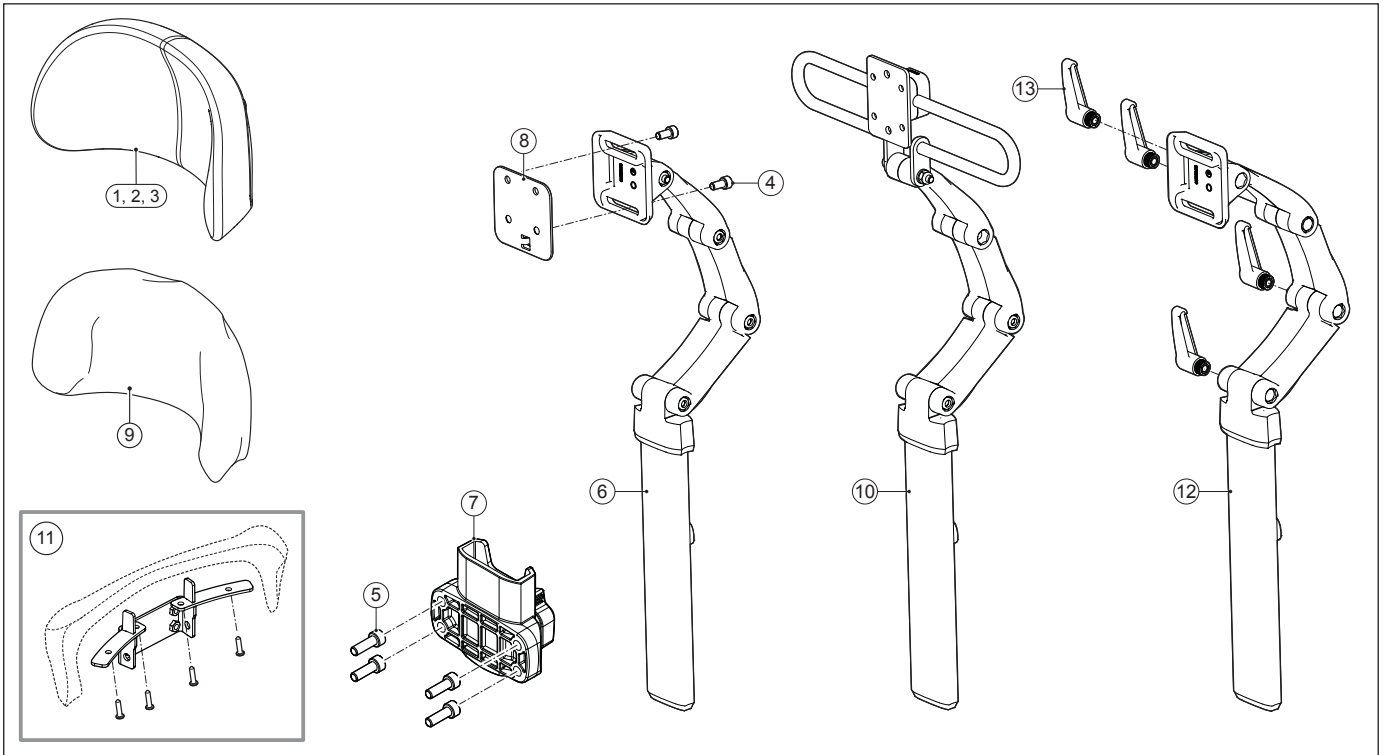
28 Sedeo Pro / Flip up armrest



9004465C

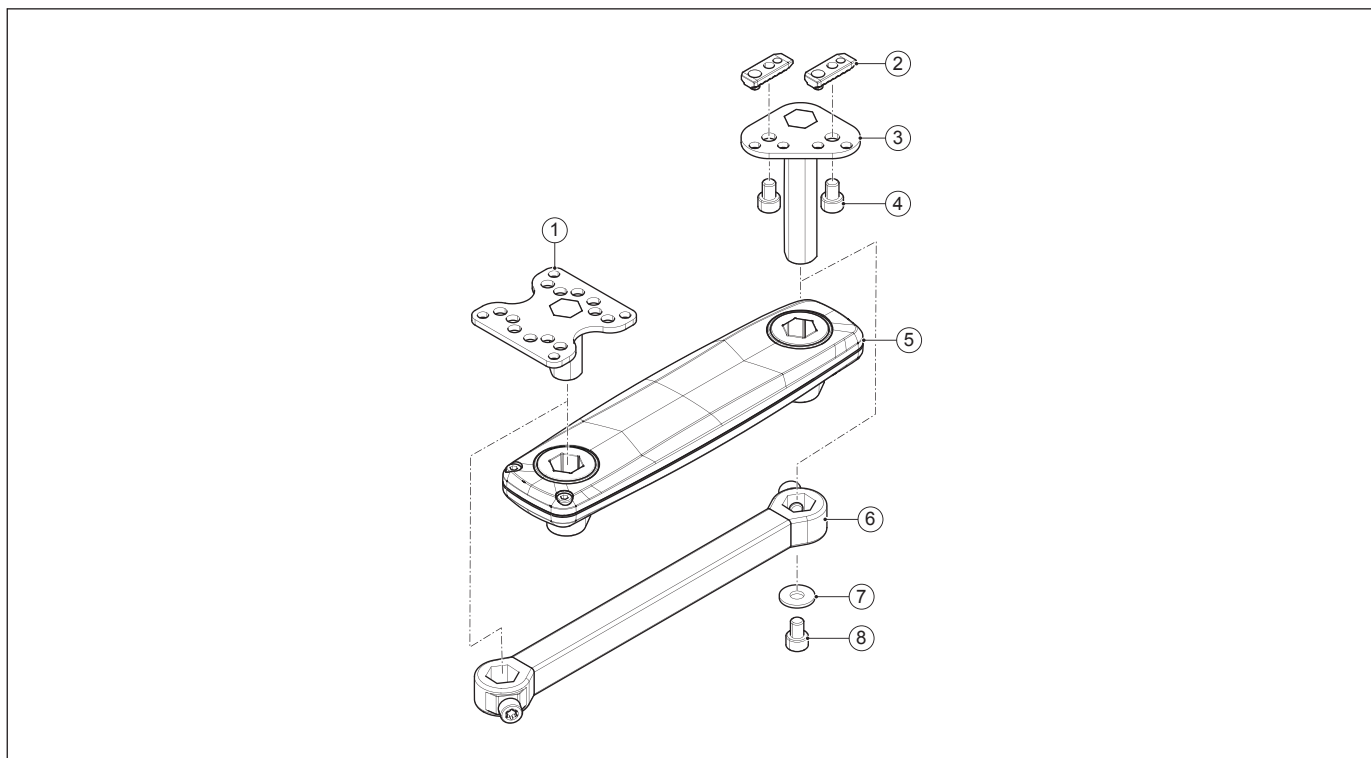
Pos	Qty	Article number	Description
1,13	2	1010911	Side plate PA
2,13	2	1010912	Side support PU
3a,6	1	1010905	Armrest pad 40 cm, right
3b,6	1	1010904	Armrest pad 40 cm, left
4a,6	1	1010907	Armrest pad narrow, 40 cm, right
4b,6	1	1010906	Armrest pad narrow, 40 cm, left
5a,6	1	1010908	Armrest pad 30 cm, right
5b,6	1	1010909	Armrest pad 30 cm, left
6	4	1015340	Torx countersunk socket head screw M6x20 iso10642 Precote 85 (100 pieces)
7	2	1015335	Torx socket head screw M6x30 iso14579 (100 pieces)
7-11,15a	1	1010915	Armrest upper part, right
7-11,15b	1	1010913	Armrest upper part, left
8,14	2	9004725	Wing bolt Armrest angle adjuster
9	2	1015331	Torx socket head screw M6x10 iso14579 Precote 85 (100 pieces)
9,11,12a,12b	1	1010910	Side supports mounting set
11	4	1010881	Clamp nut (10 pieces)
13	4	1015332	Torx socket head screw M6x12 iso14579 Precote 85 (100 pieces)
17	2	1010898	Armrest height locking clip (10 pieces)
17,18a,19, 20	1	1010897	Flip-up armrest, right
17,18b,19, 20	1	1010896	Flip-up armrest, left
7-11,15a,15b,17, 18a,18b,19a,19b,20	1	1016189	Flip up armrest, set
19	2	1010899	Armrest width locking clip (10 pieces)
20	2	9007777	Flip up armrest lever

29 Sedeo Pro / Headrest



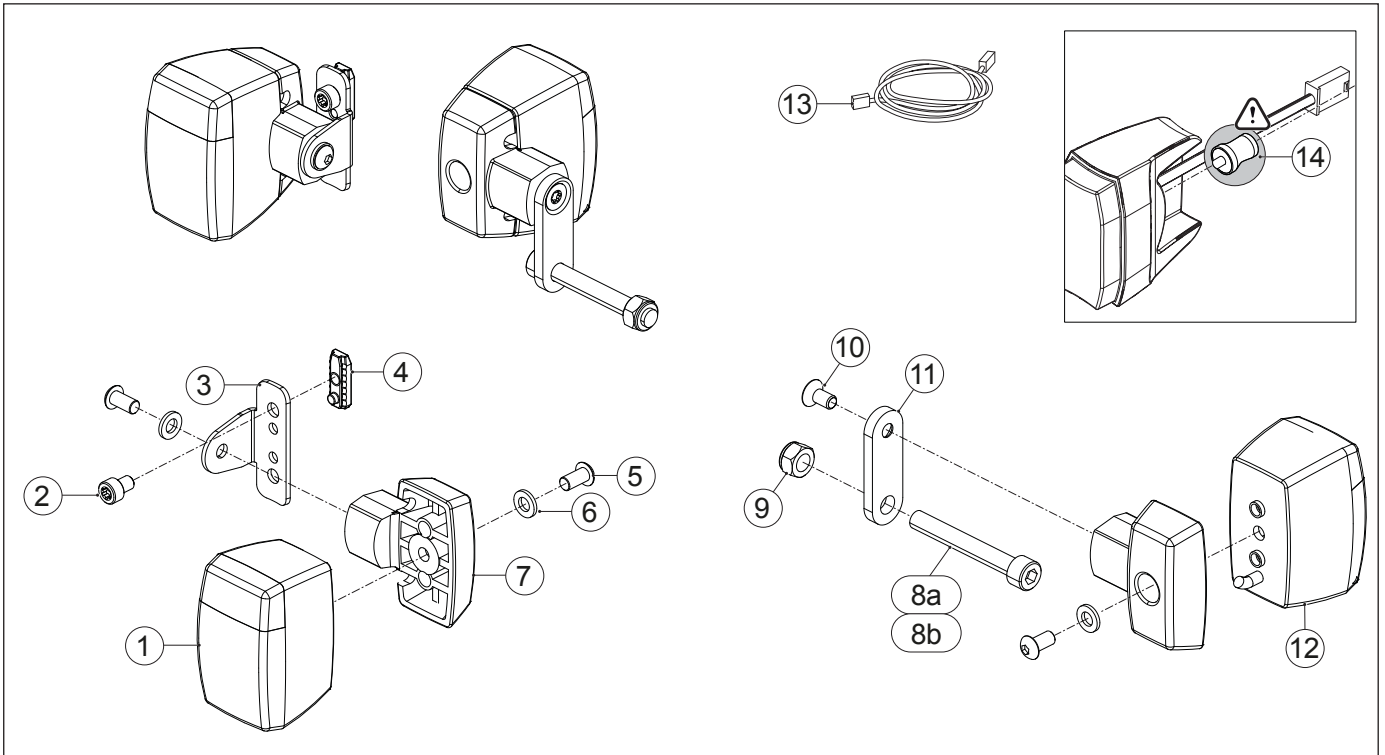
Pos	Qty	Article number	Description
1,4	1	1010957	Headrest small
1,4,5,6,7,11	1	1015354	Headrest small with metal parts and receiver for mounting on push bar
2,4	1	1010996	Headrest large
3,4	1	1010997	Headrest f exible
4	2	1015332	Torx socket head screw M6x12 iso14579 Precote 85 (100 pieces)
4,5,6,7,11	1	1015352	Headrest metal parts with receiver for mounting on push bar
5	4	1015333	Torx socket head screw M6x16 iso14579 Precote 85 (100 pieces)
5,7	1	1017703	Headrest socket set
5,7,11	1	1017705	Headrest socket & mounting
6	1	1010954	Headrest metal parts
8	1	9004116	Headrest adaptor for Sedeo Original
9	1	3009220	Headrest cover small
10	1	1010994	Headrest metal parts width adjustable
11	1	1017704	Headrest mounting bracket for f exible backrest >2014
12,13	1	1010955	Headrest parts quick release
13	1	1017947	Quick release lever for headrest metal parts, set
-	1	1015403	Headrest hinge set
-	1	1018345	Head rest bracket memory block

30 Sedeo Pro / Joystick bracket



Pos	Qty	Article number	Description
1	1	1010949	Remote interface bracket
2	4	1010881	Clamp nut (10 pieces)
2-4, 7, 8	1	1010950	Remote Armrest bracket
4	2	1015330	Torx socket head screw M6x8 din7984T Precote 85 (100 pieces)
5	1	1010951	Swing-away remote holder
6	1	1010952	Standard remote holder
1-5, 7, 8	1	1011164	Swing-away remote holder complete
1-4, 6-8	1	1011165	Standard remote holder complete
7	1	-	Washer 3xD M6 D9021
8	1	1015331	Torx socket head screw M6x10m iso 14579 Precote 85 (100 pieces)
-	1	0001494	Gear belt 160 XL 3/8" ISO 5296

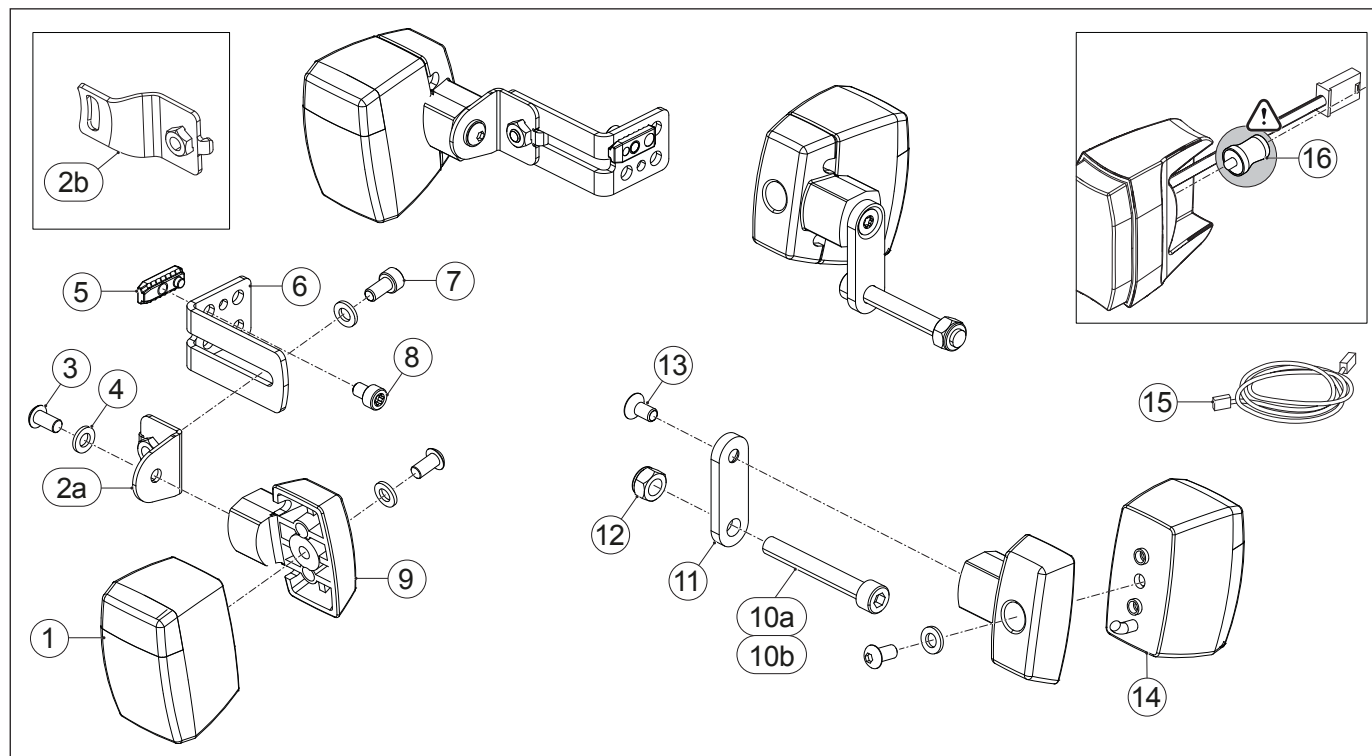
31 Sedeo Pro / Lighting on f ip up armrest



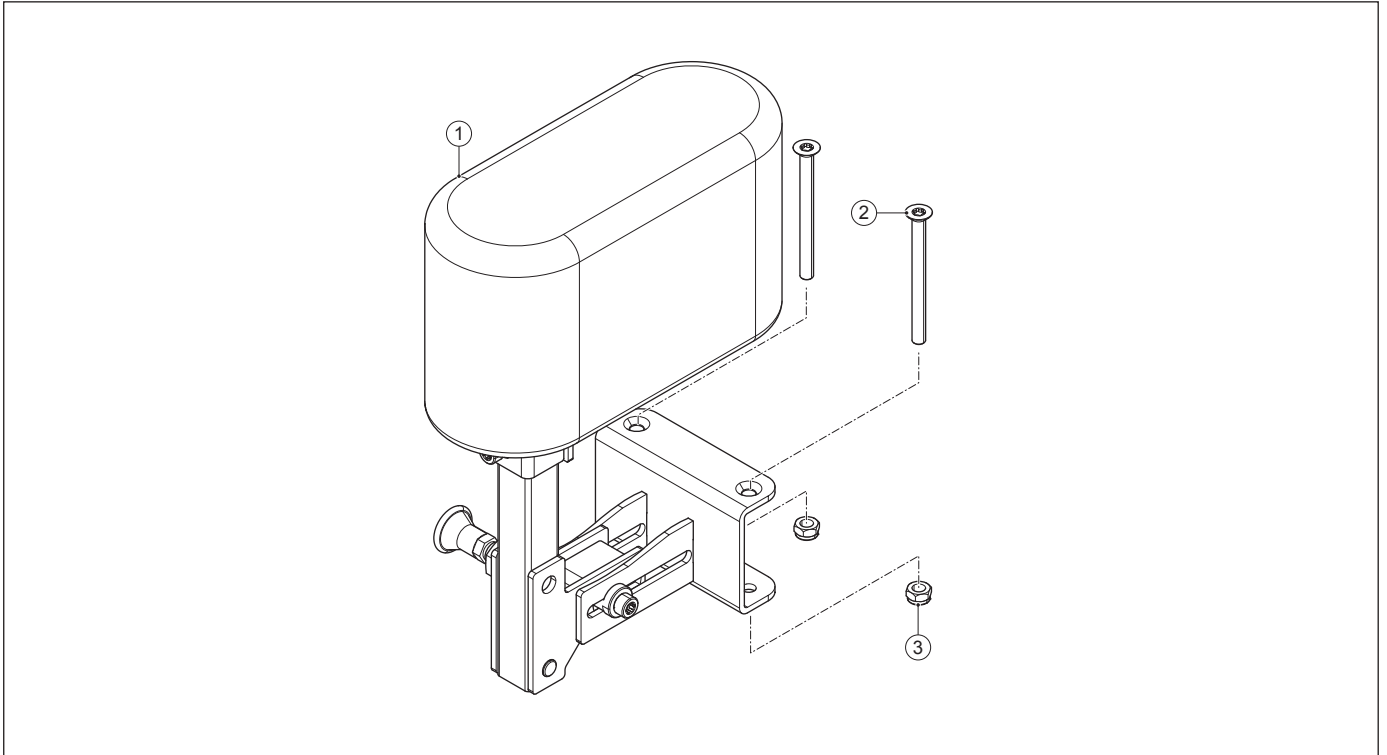
Pos	Qty	Article number	Description
1	2	6002661	Front light module standard
1	2	6000038	Front light module StVZO
1-7	2	1010959	Front light module for mounting on f ip up armrest, left = right
1-13	1	1010963	Lighting set Shark for mounting on f ip up armrest
1-13	1	1014904	Lighting set DX2 for mounting on f ip up armrest
1-13	1	1014905	Lighting set R-net for mounting on f ip up armrest
1-13	1	1014906	Lighting set VR2 for mounting on f ip up armrest
2	2	1015330	Torx socket head screw M6x8 din7984T Precote 85 (100 pieces)
4	2	1010881	Clamp nut (10 pieces)
5	6	-	Buttonhead M6x12 ISO7380
5,6,8-12	2	1010961	Rear light module for mounting on f ip up armrest, left = right
7	4	6000056	Light rubber mounting unit, left = right
8a	2	-	Socket head screw M8x50 DIN912
8b	2	-	Socket head screw M8x60 DIN912
9	2	-	Lock nut M8 D985/8/VZ
12	2	6000039	Rear light module
13	1	9006302	Lighting harness Shark, no tilt and/or lift
13	1	9006298	Lighting harness Shark with tilt and/or lift
13	1	9006312	Lighting harness DX2, no tilt and/or lift
13	1	9006313	Lighting harness DX2 with tilt and/or lift
13	1	9006331	Lighting harness R-net lighting
13	1	9006332	Lighting harness R-net lighting and horn
13	1	9006333	Lighting harness VR2
14	4	1016517	Rubber damper (10 pieces) for version < July 2015

- 2 1015404 Lighting bracket front, Sedeo Pro < July 2015

32 Sedeo Pro / Lighting on seat frame

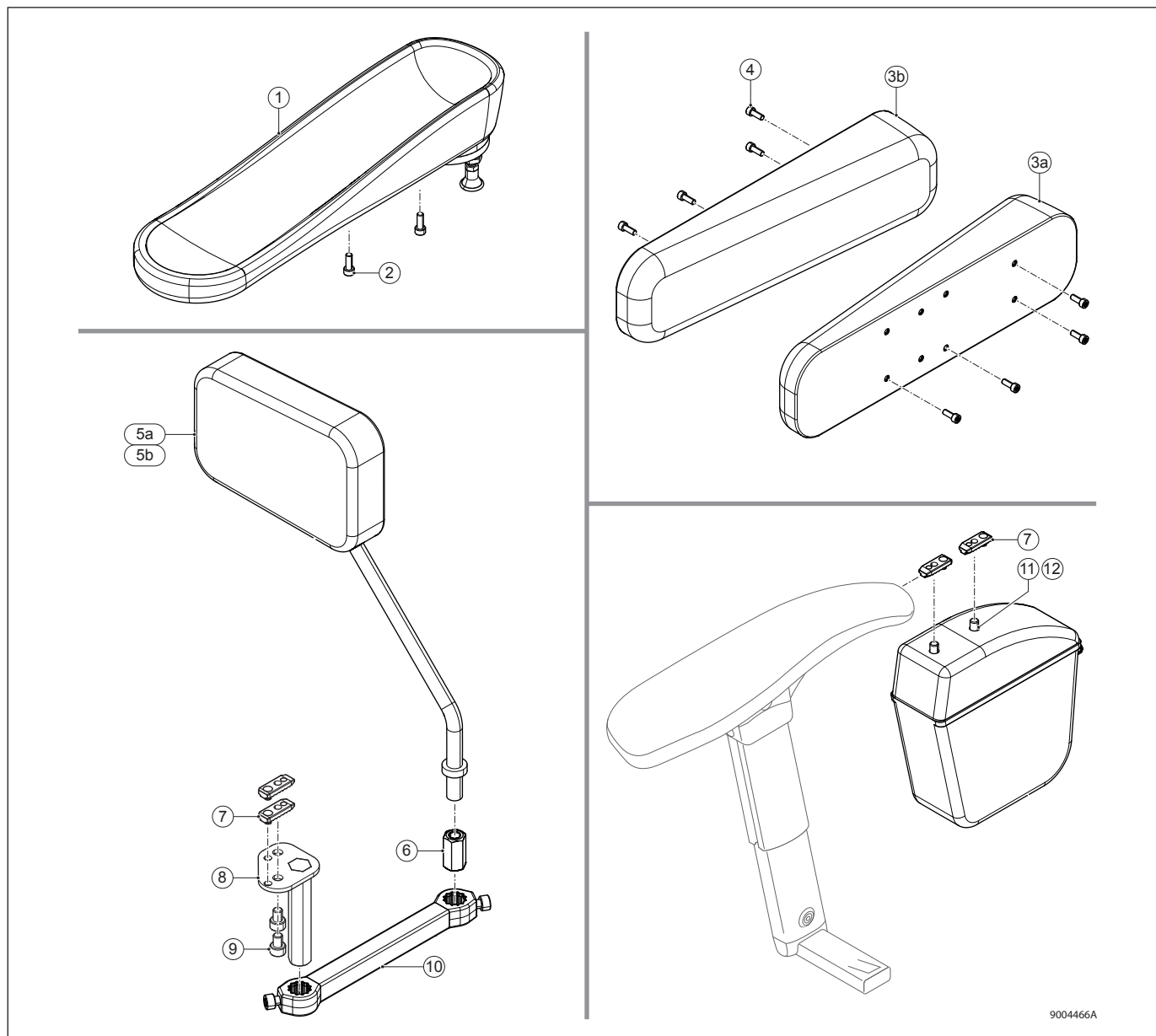


Pos	Qty	Article number	Description
1	2	6002661	Front light module standard
1	2	6000038	Front light module StVZO
1,2a-9	2	1015810	Front light module for mounting on seat frame, left = right
1,2a-15	1	1015812	Lighting set Shark for mounting on seat frame
1,2a-15	1	1015813	Lighting set DX2 for mounting on seat frame
1,2a-15	1	1015814	Lighting set R-net for mounting on seat frame
1,2a-15	1	1015815	Lighting set VR2 for mounting on seat frame
2a,4-8	2	1018044	Lighting bracket front on seat frame, left = right, version > June 2015
2b,4-8	2	1016640	Lighting bracket front on seat frame, left = right, version < July 2015
3,4,9-14	2	1010961	Rear light module for mounting on seat frame, left = right
5	2	1015133	Clamp nut (10 pieces)
7	2	1015331	Torx socket head screw M6x10 iso14579 Precote 85 (100 pieces)
8	2	1015330	Torx socket head screw M6x8 din7984T Precote 85 (100 pieces)
9	4	6000056	Light rubber mounting unit, left = right
10a	2	-	Socket head screw M8x50 DIN912
10b	2	-	Socket head screw M8x60 DIN912
12	2	-	Lock nut M8 D985/8/VZ
14	2	6000039	Rear light module
15	1	9006302	Lighting harness Shark, no tilt and/or lift
15	1	9006298	Lighting harness Shark with tilt and/or lift
15	1	9006312	Lighting harness DX2, no tilt and/or lift
15	1	9006313	Lighting harness DX2 with tilt and/or lift
15	1	9006331	Lighting harness R-net lighting
15	1	9006332	Lighting harness R-net lighting and horn
15	1	9006333	Lighting harness VR2
16	4	1016517	Rubber damper (10 pieces) for version < July 2015

33 Sedeo Pro / Abduction support

Pos	Qty	Article number	Description
1-3	1	1011002	Abduction support
2	2	1015342	Torx countersunk socket head screw M6x70 iso10642 (100 pieces)
3	2	-	Lock nut M6 D985/8/VZ

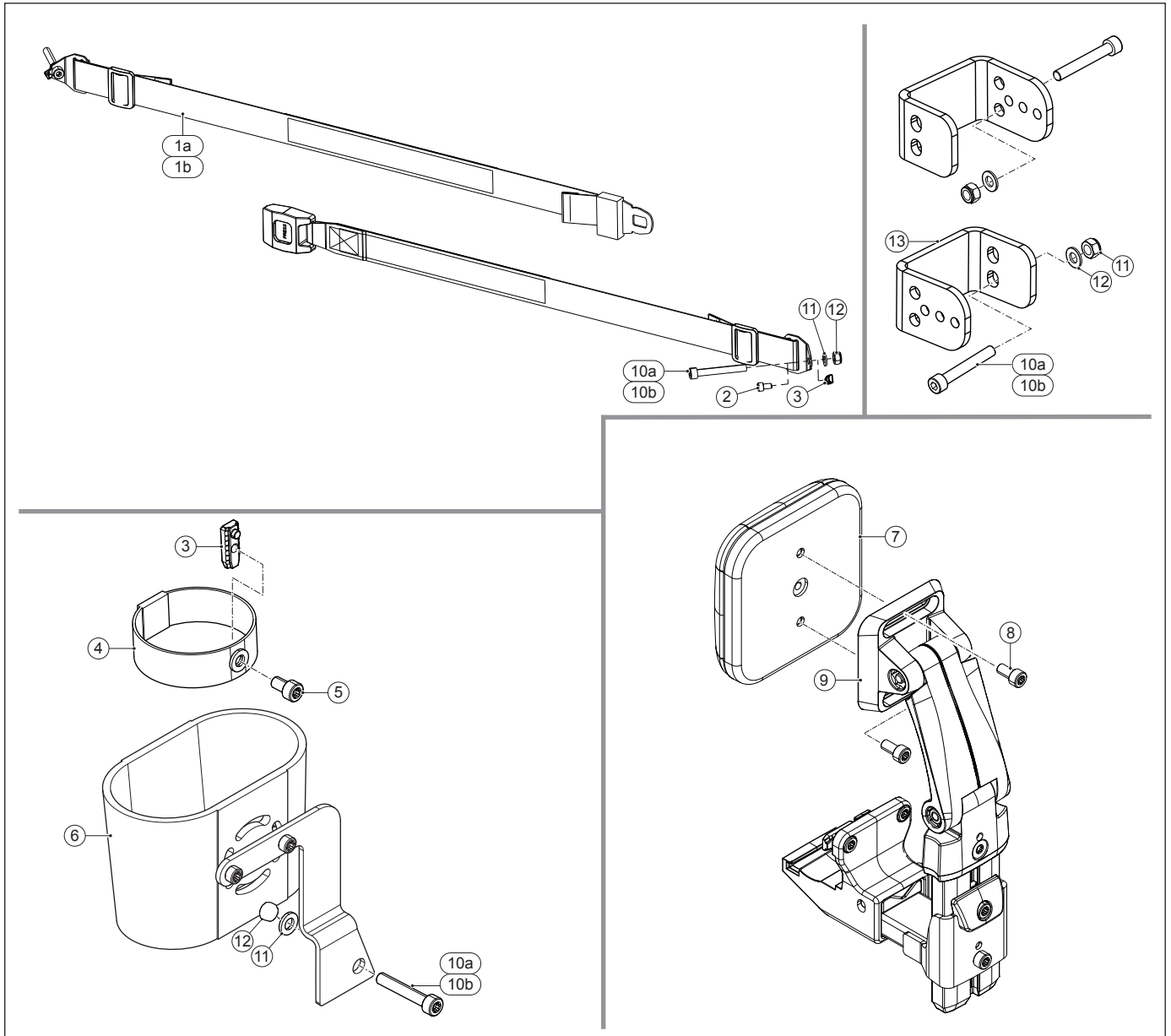
34 Sedeo Pro / Hemiplegia armrest - Side cushions wedge shaped - Mirror - Armrest bag



9004466A

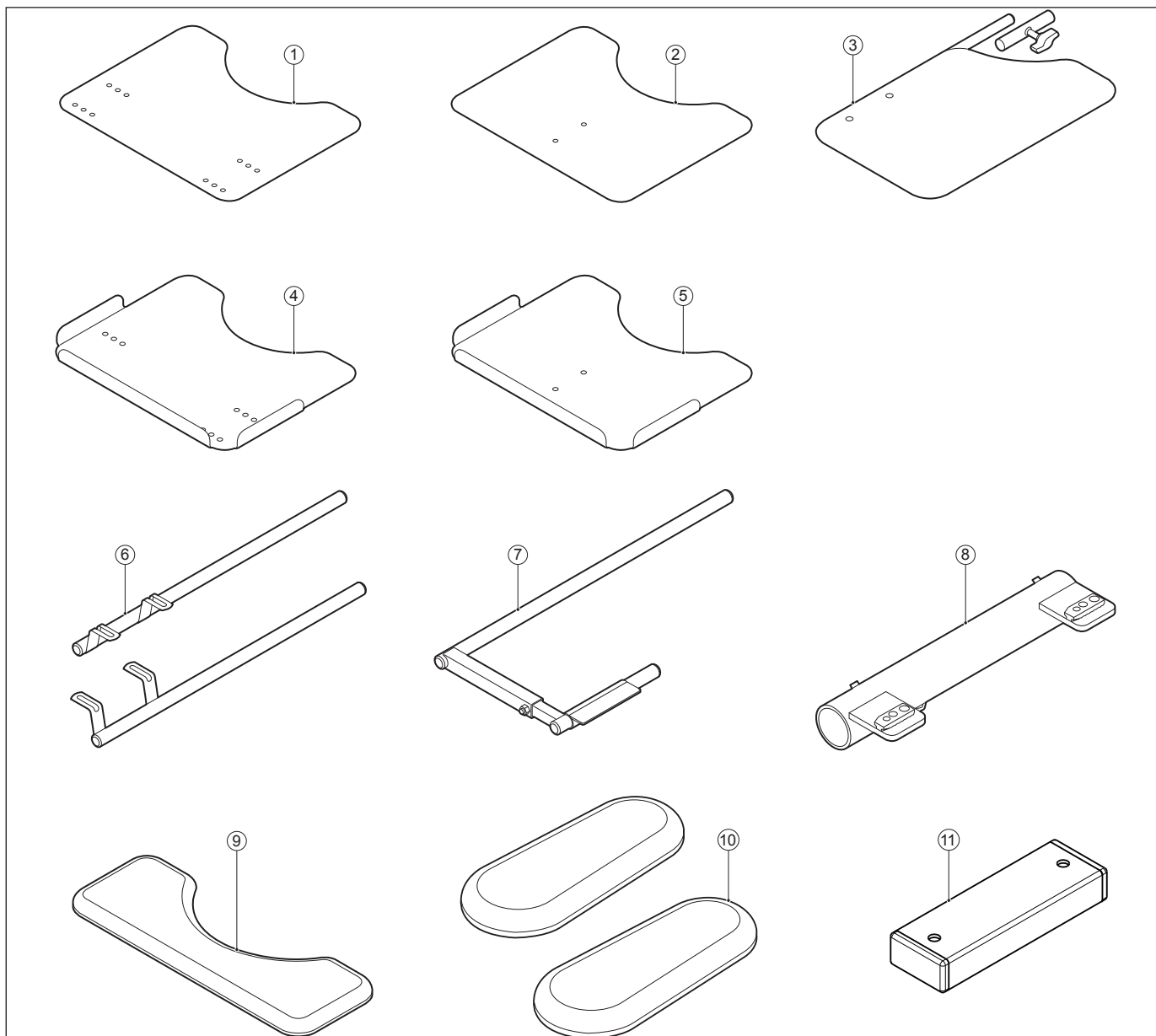
Pos	Qty	Article number	Description
1-2	1	1010977	Hemiplegia armrest
2	2	1015333	Torx socket head screw M6x16 iso14579 Precote 85 (100 pieces)
3a,4	1	1017014	Side cushions wedge shaped, right
3b,4	1	1017015	Side cushions wedge shaped, left
3a,3b,4	1	1010993	Side cushions wedge shaped, set
4	8	1015332	Torx socket head screw M6x12 iso14579 Precote 85 (100 pieces)
5a,6-10	1	1012319	Mirror not joystick side, right
5b,6-10	1	1012321	Mirror not joystick side, left
5a,6,10	1	1012269	Mirror joystick side, right
5b,6,10	1	1012320	Mirror joystick side, left
7	2	1010881	Clamp nut (10 pieces)
7,11,12	1	1012270	Armrest bag
9	2	1015330	Torx socket head screw M6x8 din7984T Precote 85 (100 pieces)
11	2	1015331	Torx socket head screw M6x10 iso14579 Precote 85 (100 pieces)

35 Sedeo Pro / Positioning belt - Cane holder - Thigh support



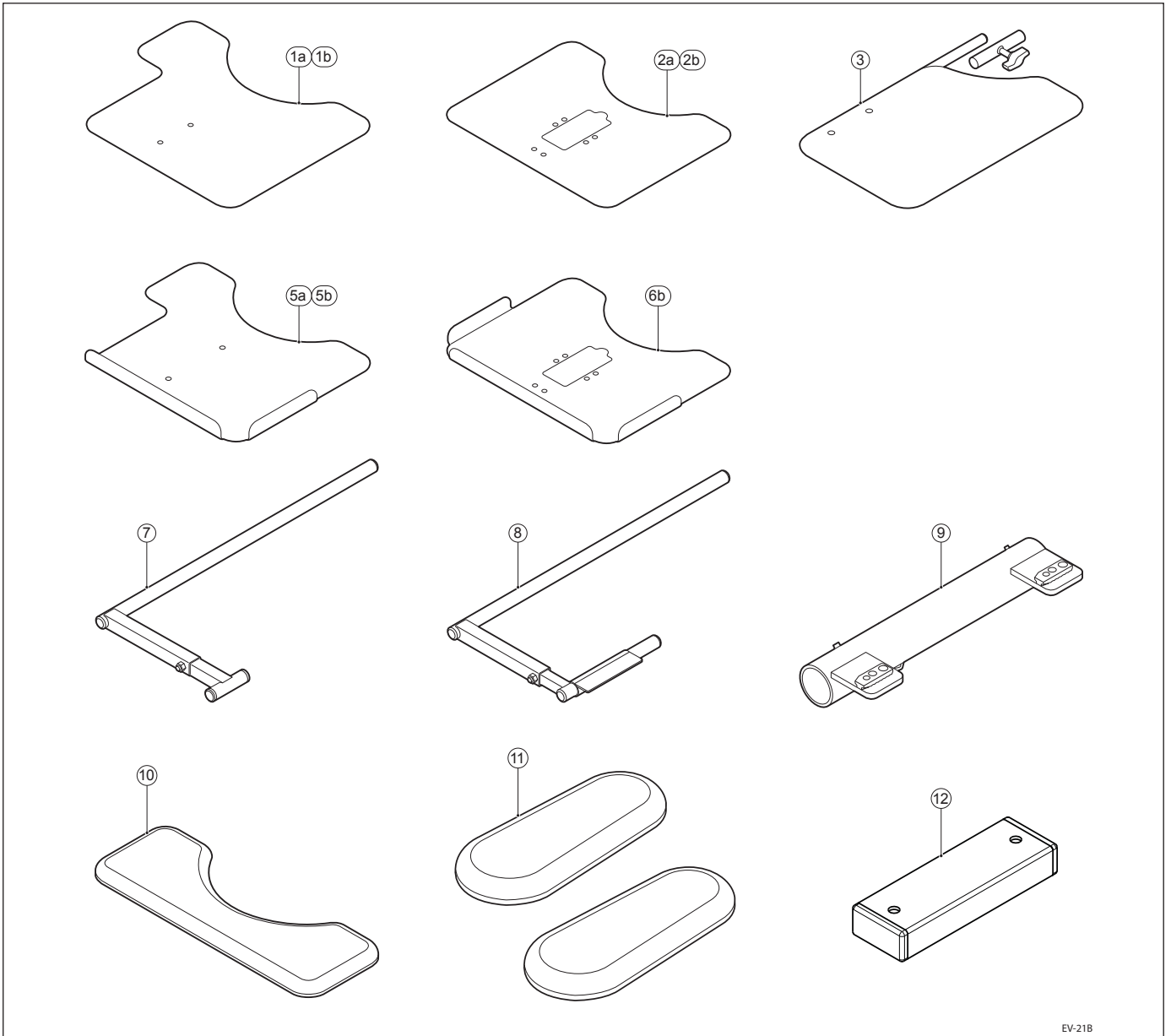
Pos	Qty	Article number	Description
1a,2,3,10-12	1	1010991	Positioning belt short
1b,2,3,10-12	1	1010992	Positioning belt long
2	2	1015331	Torx socket head screw M6x10 iso 14579 Precote 85 (100 pieces)
3	3	1010881	Clamp nut (10 pieces)
3-6,10-12	1	1012268	Cane holder
5	1	1015331	Torx socket head screw M6x10 iso14579 Precote 85 (100 pieces)
7-8	2	1010989	Thigh support cushion
8	2	1015332	Torx socket head screw M6x12 iso14579 Precote 85 (100 pieces)
9	2	1010988	Thigh support mounting bracket
7-9	1	1012905	Thigh support, set
10a	1	-	Socket head screw M8x50 DIN912
10b	1	-	Socket head screw M8x60 DIN912
10-13	2	1016560	Bracket positioning belt SW 50-54 cm, set
11	1	00000.2003	Washer f at M8
12	1	00000.1702	Lock nut M8

36 Sedeo Pro / Worktops manual wheelchair



Pos	Qty	Article number	Description
1,6,8	1	1015155	Worktop, fixed, acrylic
2,7,8	1	1015160	Worktop, folding, acrylic
3	1	1015170	Half worktop, acrylic
4,6,8	1	1015159	Worktop, fixed, acrylic, with raised edges, suitable for upholstery
5,7,8	1	1015163	Worktop, folding, acrylic with raised edges, suitable for upholstery
8	1	1015157	Worktop receiving tube assembly
9	1	223.00041.505	Partially padded, for worktop, black Sellaskin
10	2	221.00211.505	Elbow pad
11	1	1015664	Worktop holder spacer
-	1	1015171	Receiving tube for hemi worktop

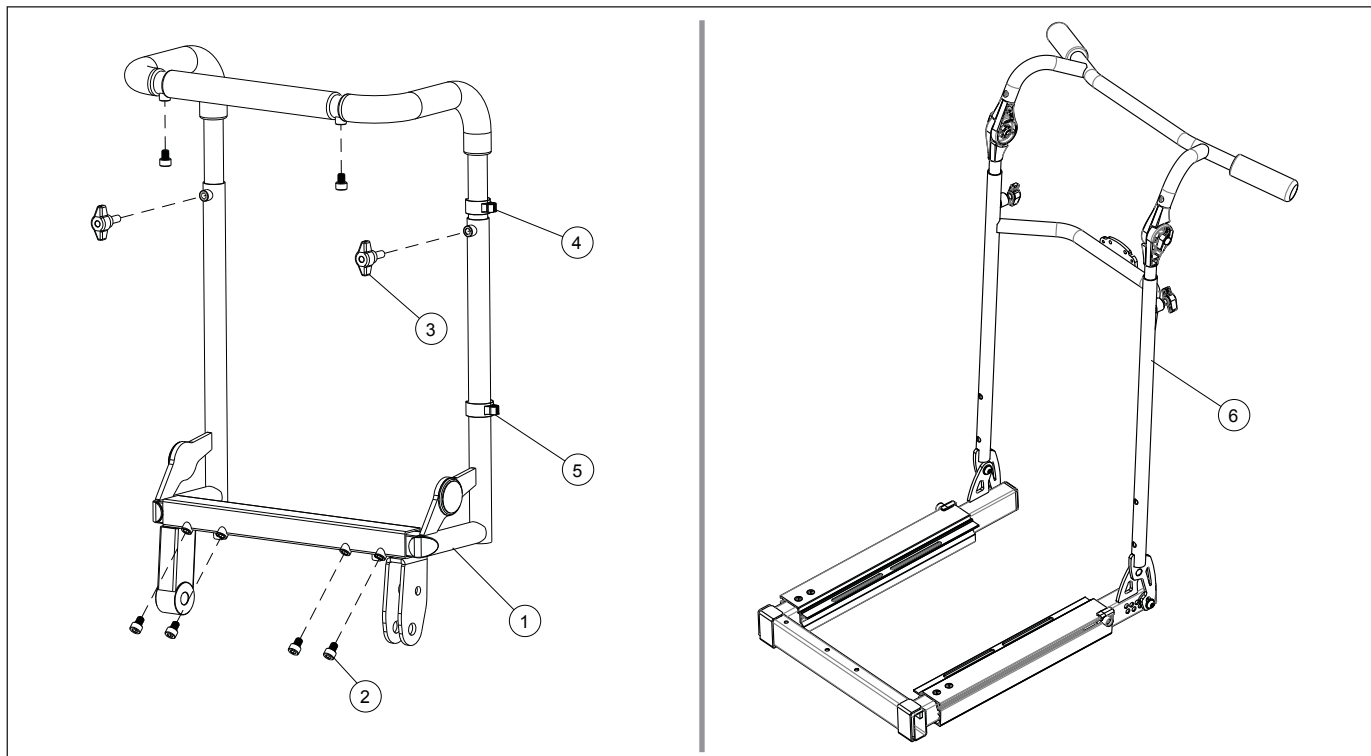
37 Sedeo Pro / Worktops power wheelchair



EV-21B

Pos	Qty	Article number	Description
1a,8,9	1	1015167	Worktop, folding, acrylic + joystick recess right hand side
1b,8,9	1	1015168	Worktop, folding, acrylic + joystick recess left hand side
2a,7,9	1	1015169	Worktop with center remote recess for DX
2b,7,9	1	1015455	Worktop with center remote recess for R-net
3	1	1015170	Half worktop, acrylic
5a,8,9	1	1015162	Worktop, folding, acrylic with raised edges, suitable for upholstery + joystick recess right hand side
5b,8,9	1	1015164	Worktop, folding, acrylic with raised edges, suitable for upholstery + joystick recess left hand side
6b,7,9	1	1015165	Worktop, folding, acrylic with raised edges, suitable for upholstery, with Center Remote Recess
9	1	1015157	Worktop receiving tube assy
10	1	223.00041.505	Partially padded, for worktop, black Sellaskin
11	2	221.00211.505	Elbow pad
12	1	1015664	Worktop holder spacer
-	1	1015171	Receiving tube for hemi worktop

38 Sedeo Pro / Third party backrest



Pos	Qty	Article number	Description
1-5	1	9007269	Third party backrest frame complete
2	6	9007270	Torx socket head screw M8x10 T30 iso14578
3	2	-	Wing bolt M8x20; L=40
4	2	1015397	Service set cable guide ø 22 (10 pieces)
5	2	1015398	Service set cable guide ø 25 (10 pieces)
6	1	1017907	Sedeo Pro seat frame with seat shell backrest frame

5 Service instructions

5.1 Maintenance plan / Reimbursement plan

Below, we have indicated what needs to be checked, how often this should be done and by whom.

Time	Description	To be carried out by	
		User	Supplier
Monthly	• Cleaning the seating system.	x	-
	• Cleaning the upholstery (if necessary).	x	-
Annually	• Inspecting the mechanical parts	-	x
	• Checking all fastenings and bolts: tighten if necessary	-	x

For disinfecting spray the chair with alcohol.

This document is a reference book to be used to order parts for the Sedeo seating system.

Assembly, replacement and adjustment instructions

The paragraphs § 5.2 (Sedeo Lite) and § 5.3 (Sedeo Pro) cover illustrated assembly, replacement and adjustment instructions.

Every separate visual instruction is prefaced with:

- Preparation remarks
- Instructions
- Relevant article numbers
- Tools used
- Notice (if applicable): extra notes covering information you need when executing the specific task)

5.2 Assembling, replacement and adjustment instructions Sedeo Lite

5.2.1 Replacing the backrest frames

Replacing a backrest frame with a different seat width

Preparation

Note! Switch off the wheelchair via remote control (power wheelchair only).

Instructions

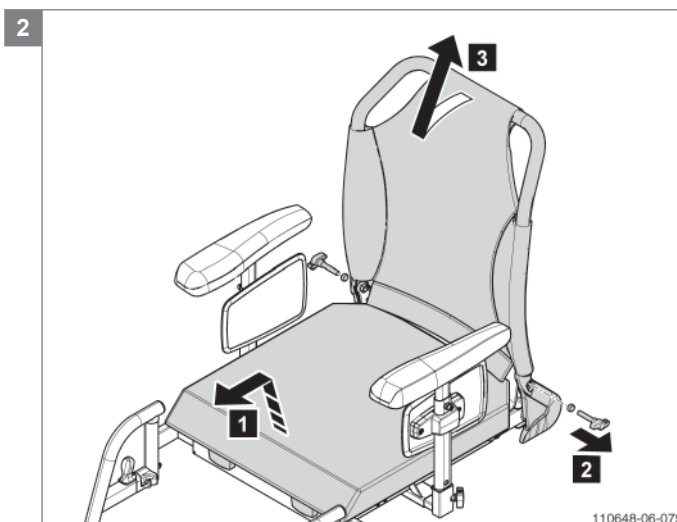
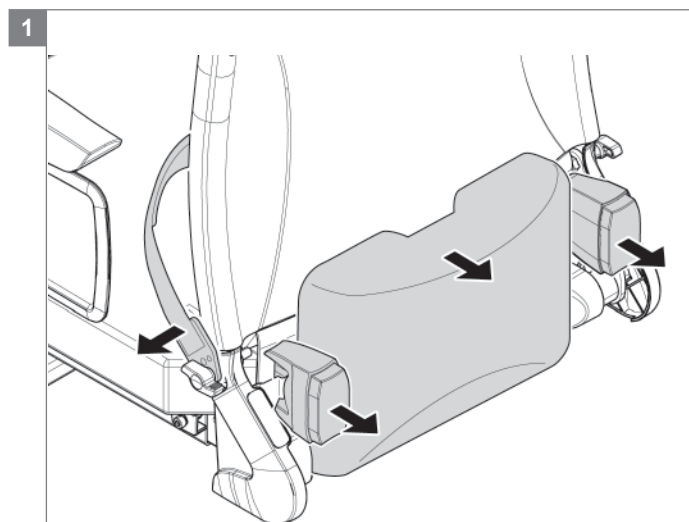
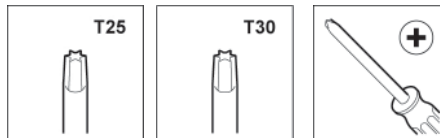
Note! Suitable work area required!

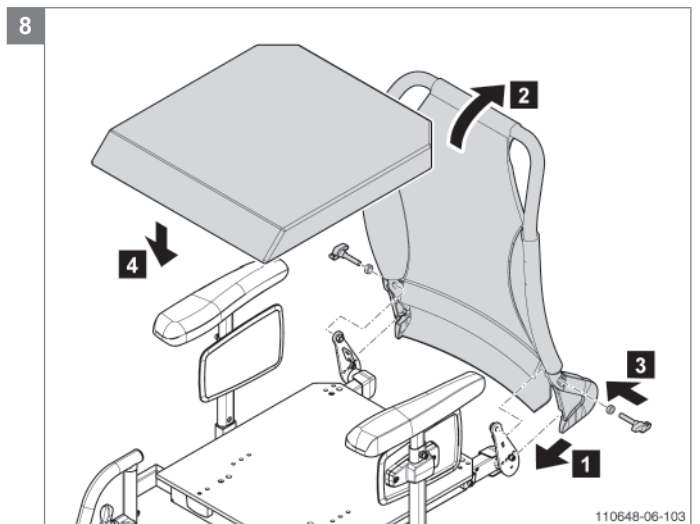
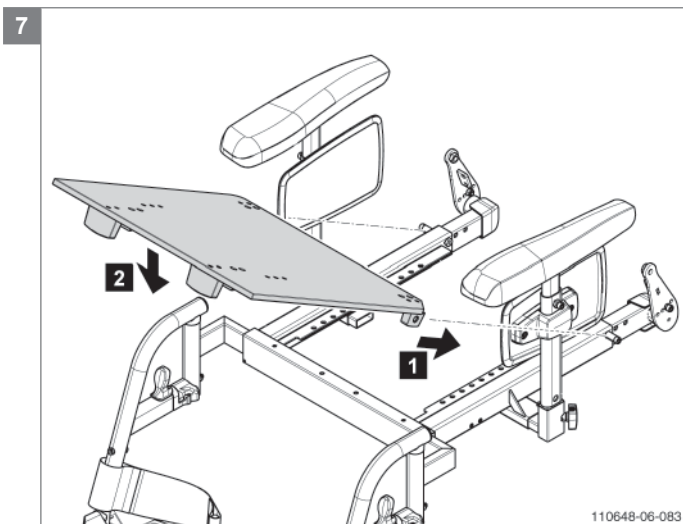
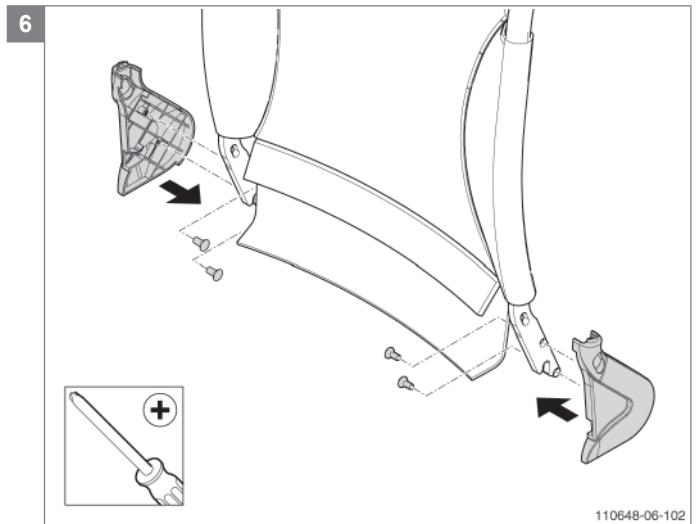
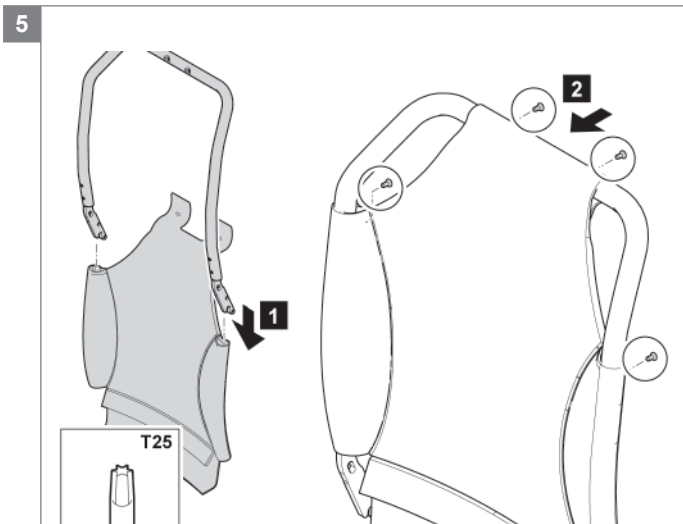
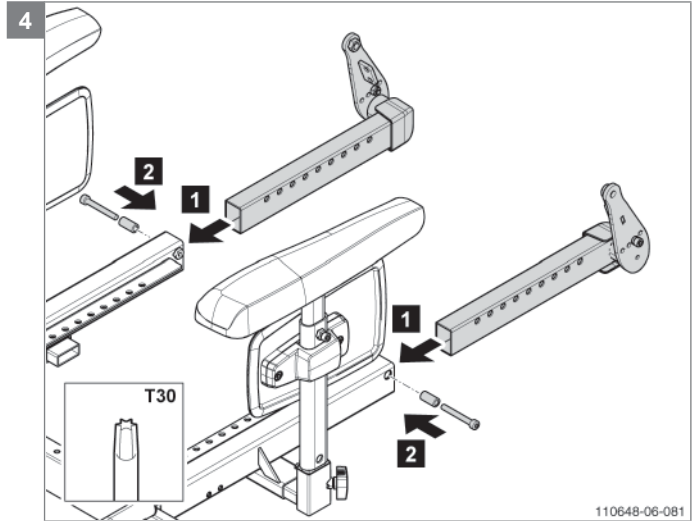
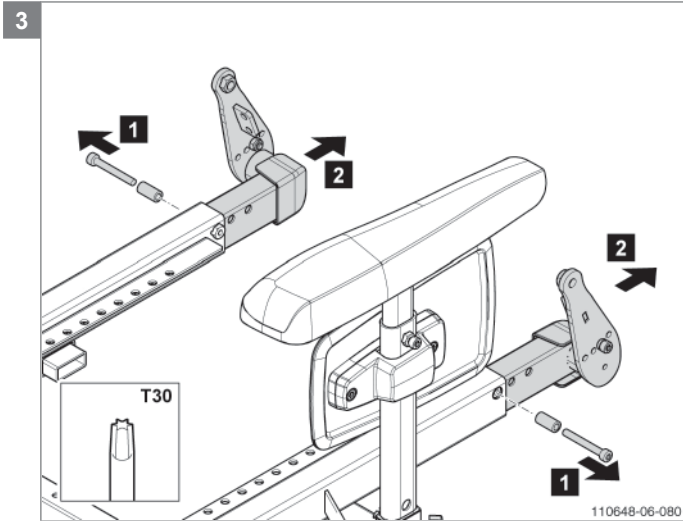
- Follow the illustrated instructions for replacing the backrest hinge set and frame sling.
- Rebuild afterwards the wheelchair in reversed order.

Relevant article numbers

- 1012923/-24/-25/-26 Backrest hinge set SW 42/45/48/51
- 9006172/-73/-74/-75 Backrest frame sling SW 42/45/48/51
- 1012972/-73/-74/-75 Backrest frame strapped SW 42/45/48/51
- 1012950/-51/-52/-53 Backrest sling SW 42/45/48/51
- 1012954/1013161/1012955/1013162 Backrest with adjustable straps SW 42/45/48/51
- 1012921 Backrest wing bolt set
- 1012922 Cover set

Tools used





Replacing a backrest sling frame for a backrest adjustable strapped frame

Preparation

Note! Switch off the wheelchair via remote control (power wheelchair only).

Instructions

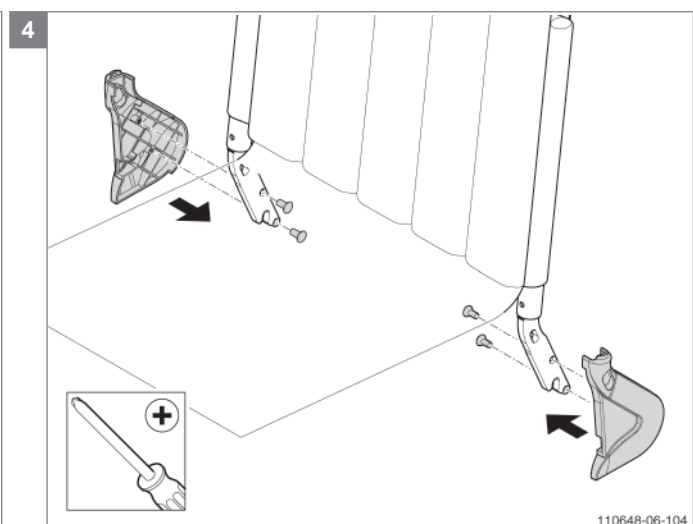
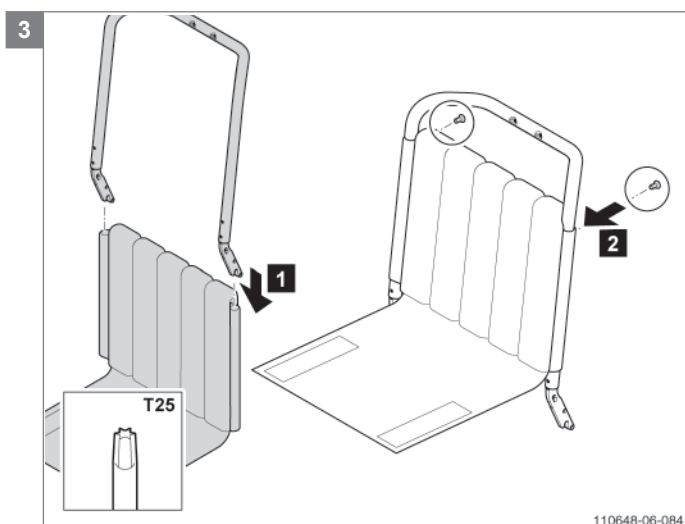
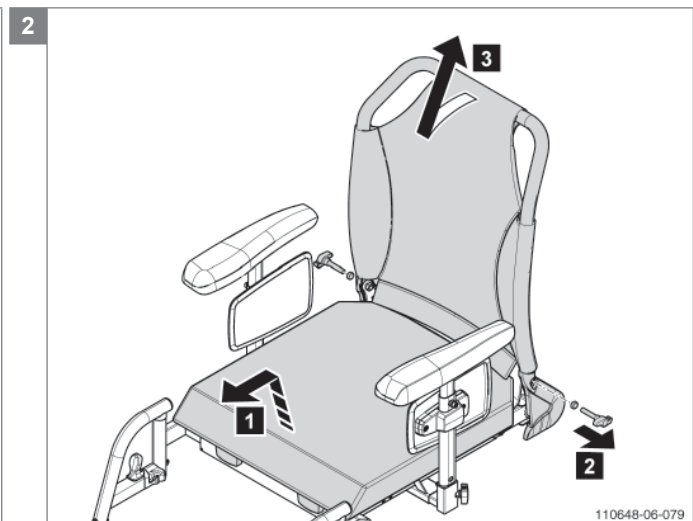
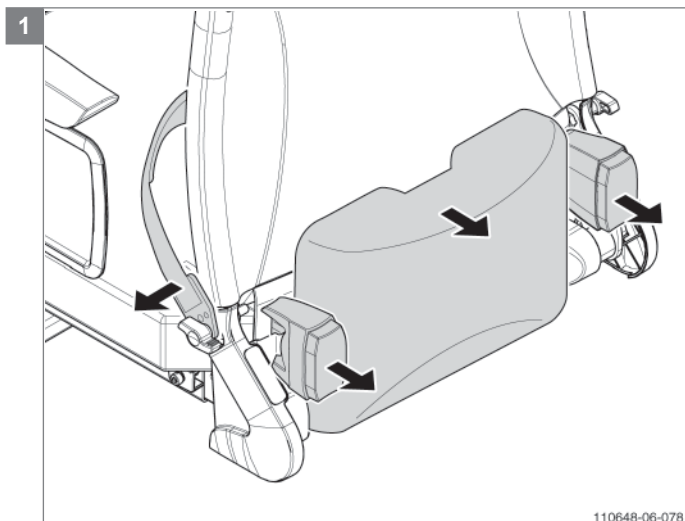
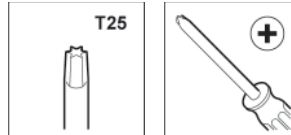
Note! Suitable work area required!

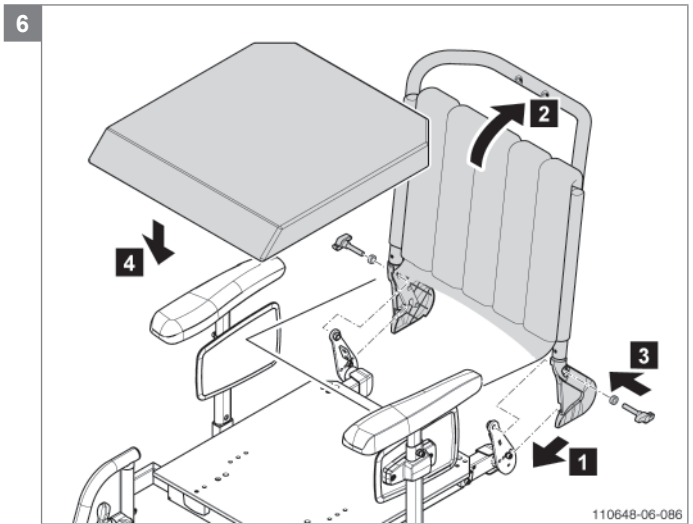
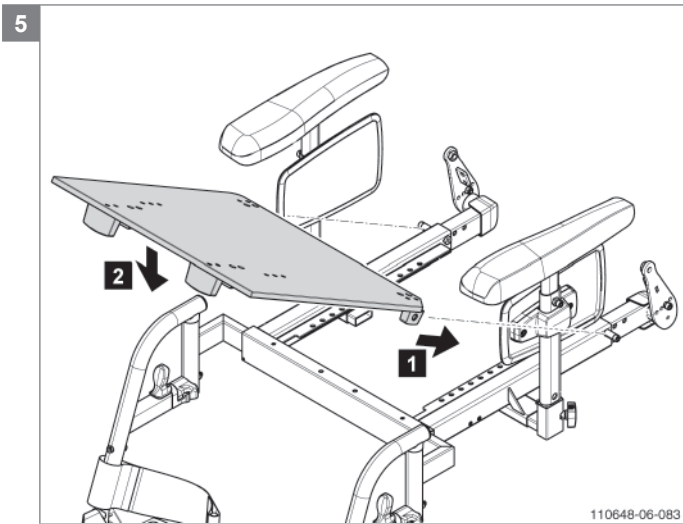
- Follow the illustrated instructions for replacing the backrest sling frame for a backrest adjustable strapped frame.
- Rebuild afterwards the wheelchair in reversed order.

Relevant article numbers

- 1012927/-28/-29/-30 Backrest frame strapped SW 42/45/48/51
- 1012954/-55 Backrest with adjustable straps SW 42/48
- 1013161/-62 Backrest with adjustable straps SW 45/51
- 1012921 Backrest wing bolt set
- 1012922 Cover set

Tools used





5.2.2 Adjusting or mounting the seat cushion fixation set

Preparation

Note! Switch off the wheelchair via remote control (power wheelchair only).

Instructions

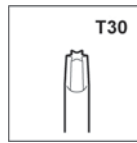
Note! Suitable work area required!

- Follow the illustrated instructions for adjusting or mounting the seat cushion fixation.
- Rebuild afterwards the wheelchair in reversed order.

Relevant article numbers

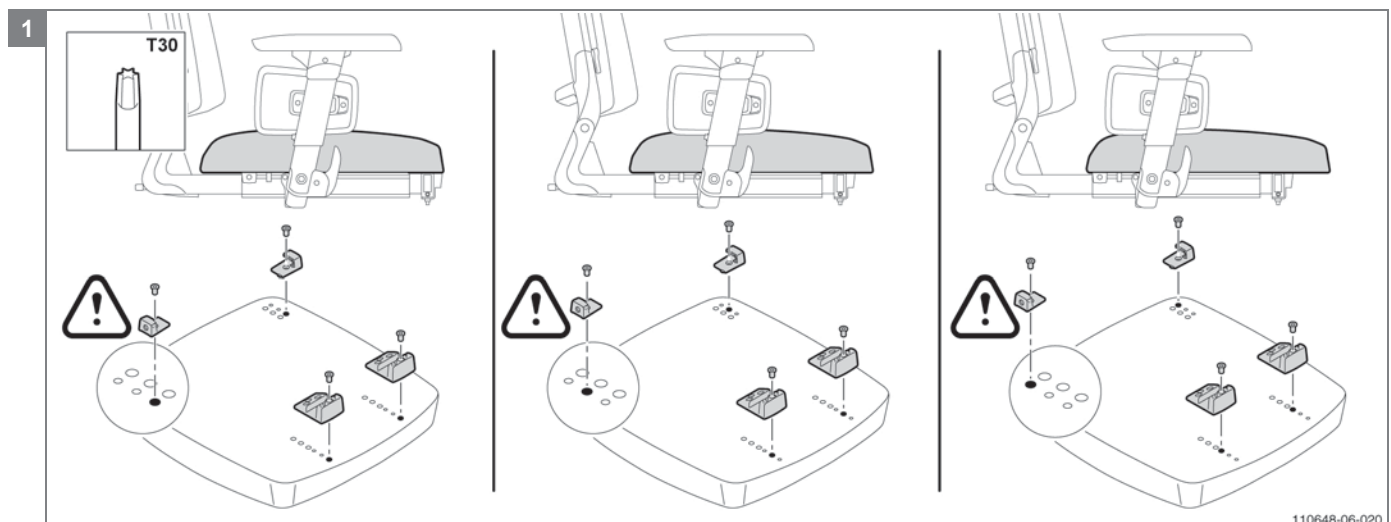
- 1010953 Seat cushion fixation set
- 1012267 Interface board Sedeo Original

Tools used



Notice

Ex-factory the fixation brackets on the cushion or seat are always mounted in the middle position! In case you want to reposition the seat cushion, place the fixation brackets at the front and backside always in the same holes! The seat board Sedeo Lite SD40 has only two positions. Ex-factory the fixation brackets on the seat board are mounted in the back position.



5.2.3 Mounting the standard or swing-away remote holder

Preparation

Note! Switch off the wheelchair via remote control (power wheelchair only).

Instructions

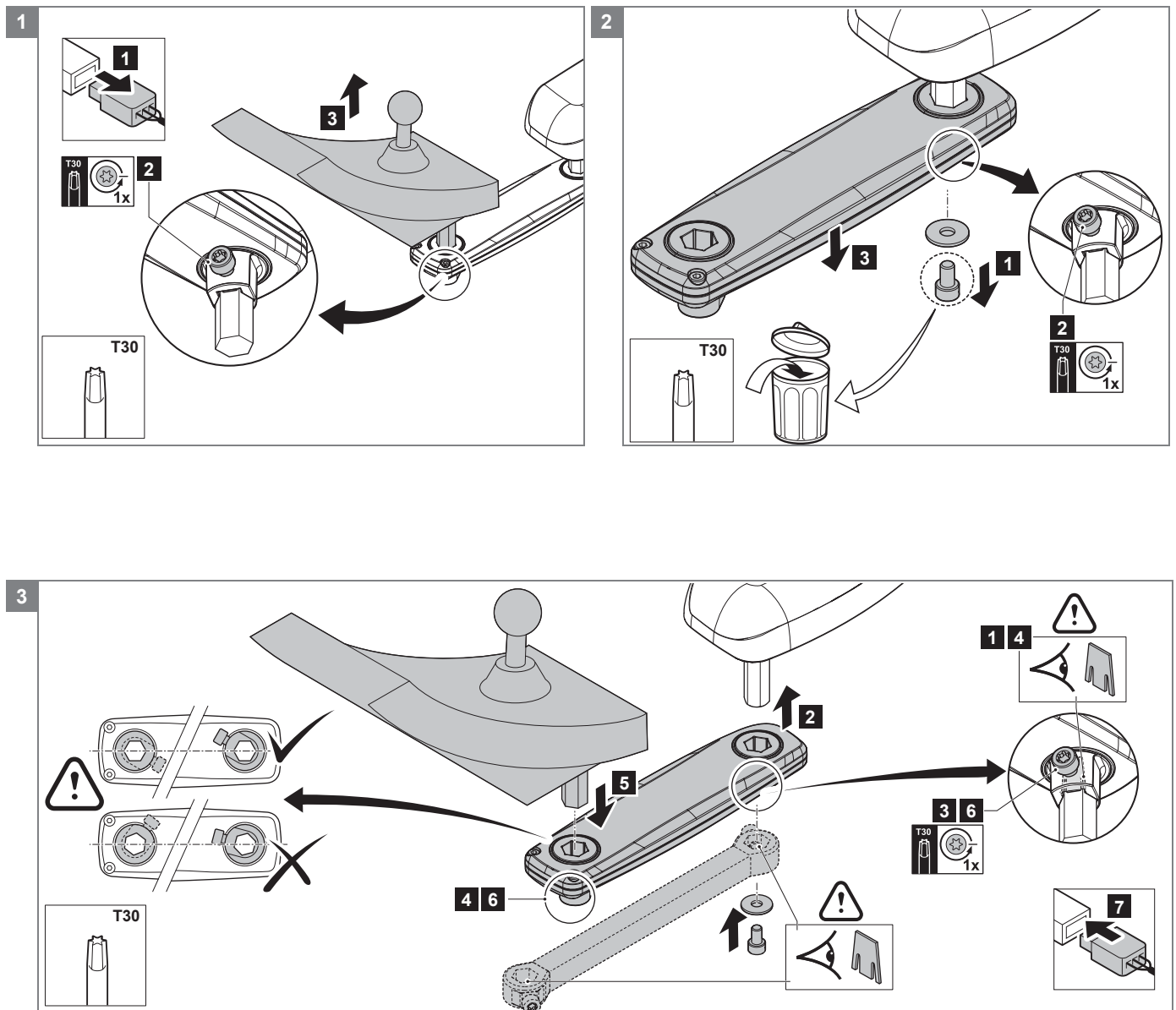
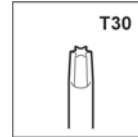
Note! Suitable work area required!

- Follow the illustrated instructions for mounting the standard or the swing-away remote bracket.
- **Note!** Check the cable laying after you have mounted the swing-away remote holder, connected the remote control and adjusted the height, width and depth of the armrest. The remote control cable needs enough clearance to swing away the remote control freely inwards and outwards.

Relevant article numbers

- 1010951 Swing-away remote holder
- 1010952 Standard remote holder
- 1011164 Swing-away remote holder complete
- 1011165 Standard remote holder complete

Tools used



Note! Notice the position of the hexagon at any bracket. The hexagon should point with an edge forward!

5.2.4 Mounting the lights

Preparation

Note! Switch off the wheelchair via remote control (power wheelchair only).

Instructions

Note! Suitable work area required!

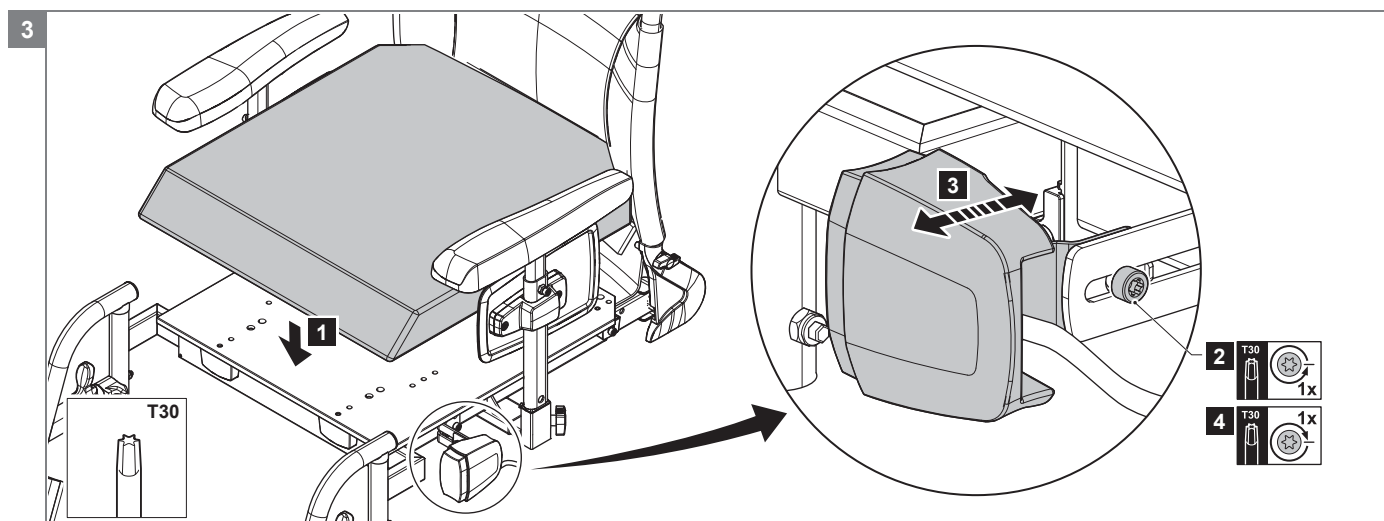
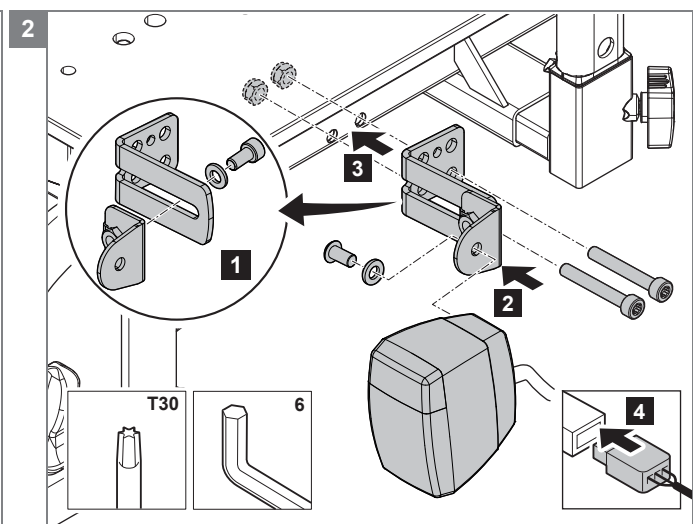
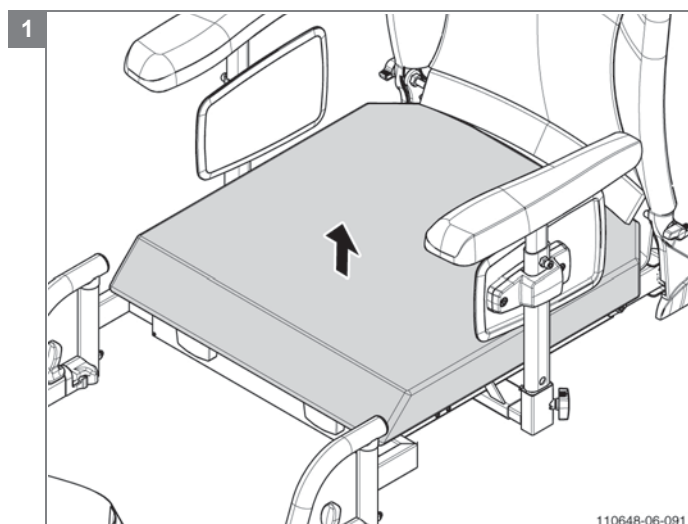
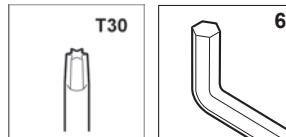
- Follow the illustrated instructions for mounting the lights.
- Rebuild afterwards the wheelchair in reversed order.

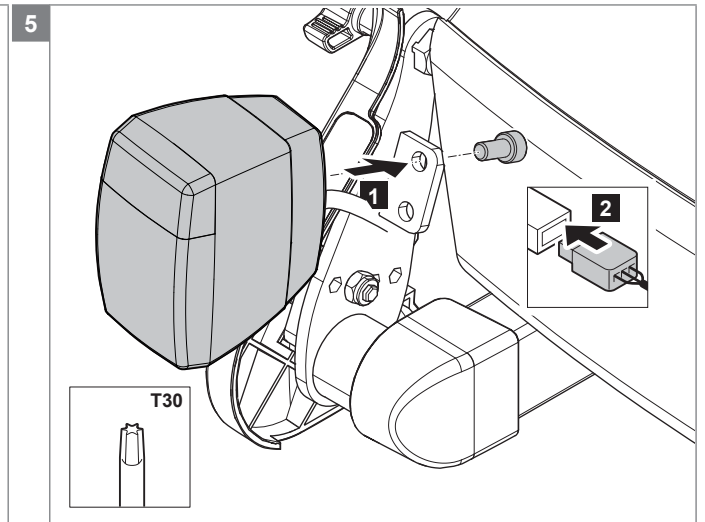
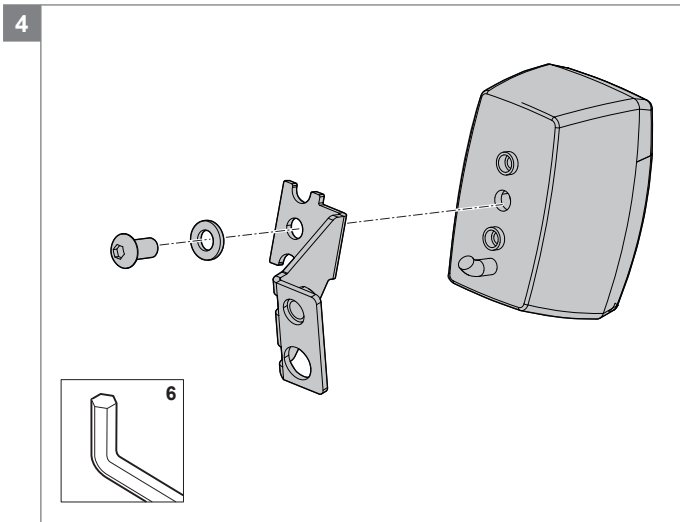
Relevant article numbers

- 1014907 Lighting set Shark
- 1014908 Lighting set DX2
- 1014909 Lighting set R-net
- 1014910 Lighting set VR2
- 1012957 Front light module incl mounting bracket, left = right
- 1012959 Rear light module incl mounting bracket, right
- 1012960 Rear light module incl mounting bracket, left

- 9006302 Lighting harness Shark, no tilt and/or lift
- 9006298 Lighting harness Shark with tilt and/or lift
- 9006312 Lighting harness DX2, no tilt and/or lift
- 9006313 Lighting harness DX2 with tilt and/or lift
- 9006331 Lighting harness R-net lighting
- 9006332 Lighting harness R-net lighting and horn
- 9006333 Lighting harness VR 2

Tools used





5.2.5 Mounting the positioning belt

Preparation

Note! Switch off the wheelchair via remote control (power wheelchair only).

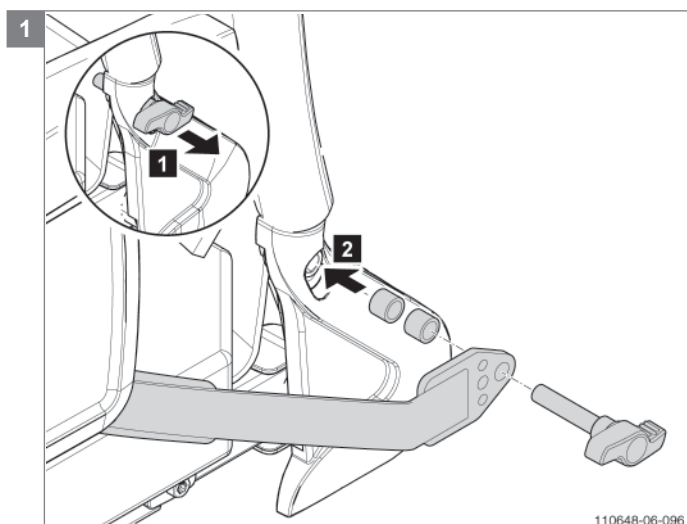
Instructions

Note! Suitable work area required!

- Follow the illustrated instructions for mounting the positioning belt short or long.

Relevant article numbers

- 1010991 Positioning belt short
- 1010992 Positioning belt long



5.3 Assembly, replacement and adjustment instructions Sedeo Pro

5.3.1 General instruction: Removing drop out protection parts

Introduction

Sedeo Pro has parts that are protected against dropping out, at the moment you take them out to maximum position. Parts like armrests (width/height), legrests (width/height) and sliders have such a protection.

Preparation

Note! Switch off the wheelchair via remote control (power wheelchair only).

Instructions

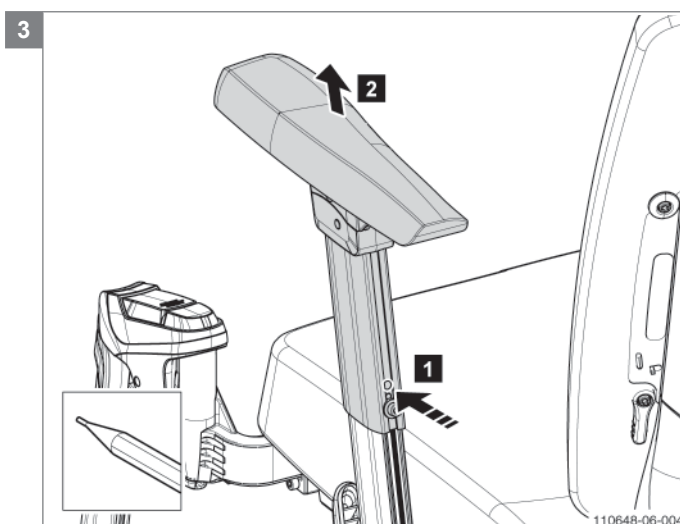
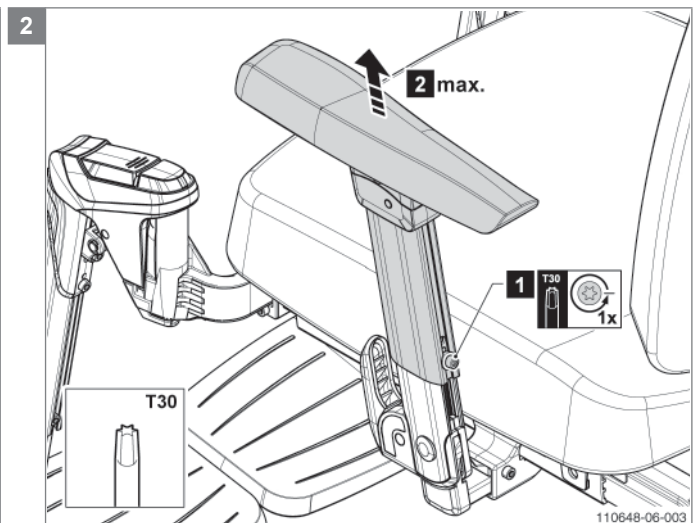
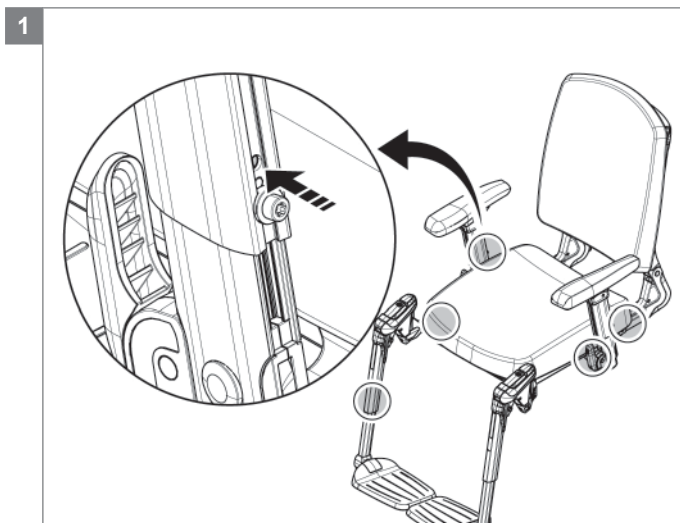
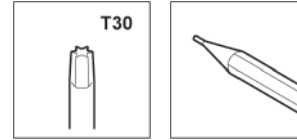
Note! Suitable work area required!

- Loosen the wing nut or T30 Torx bolt one turn, pull out the part in the maximum position and press the locking pin to take out the part.

Relevant article numbers

- N.a.

Tools used



5.3.2 General instruction: The use of the clamp nut

Introduction

Sedeo Pro is build with extrusion prof les. The clamp nut connection is designed for strong and reliable connections and easy adjustable parts. Most part connections, mounted on extrusion prof les, have such a clamp nut connection.

Preparation

Note! Switch off the wheelchair via remote control (power wheelchair only).

Instructions

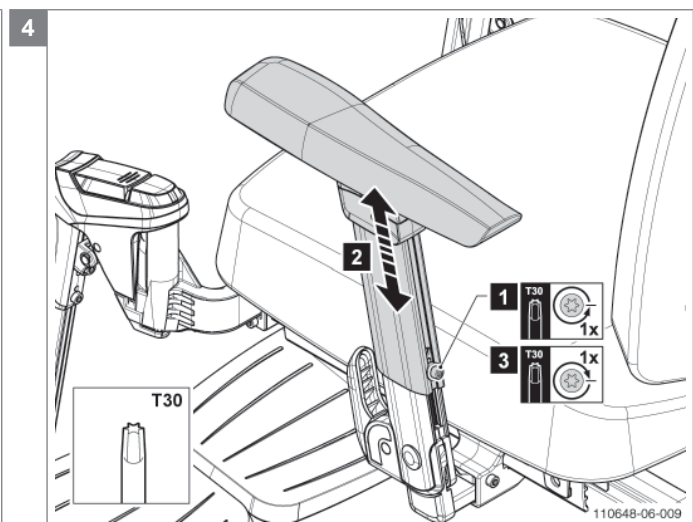
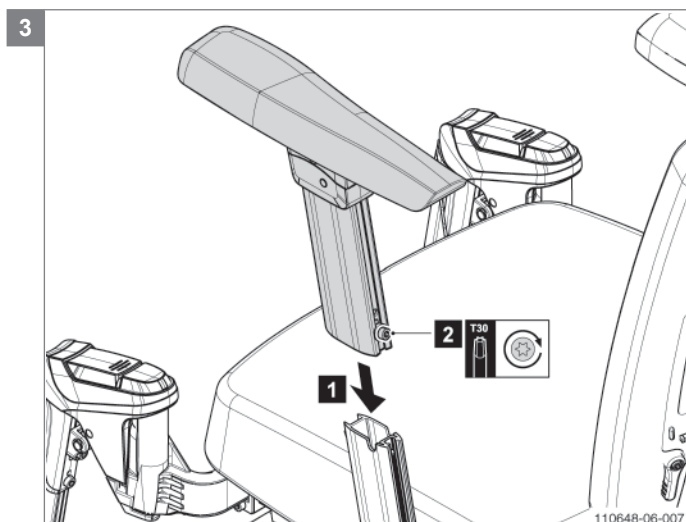
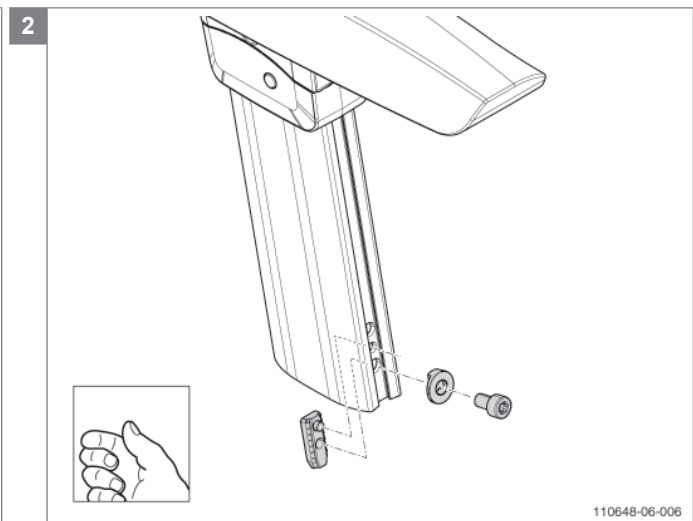
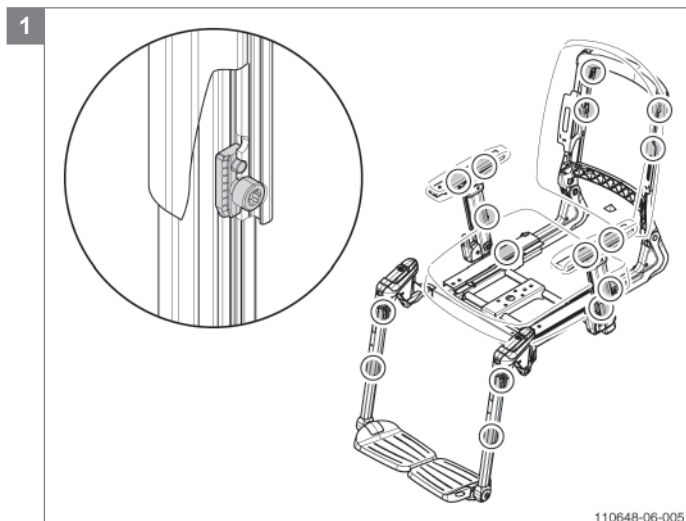
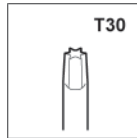
Note! Suitable work area required!

- Each clamp nut has a protection, which has to be positioned across a protection opening.
- The following actions are required for adjusting these parts: loosen the Torx bolt one or two turns, position part in the desired position and tighten the Torx bolt.

Relevant article numbers

- N.a.

Tools used



5.3.3 Replacing the angle adjustable/reclining backrests

Removing the angle adjustable backrest

Preparation

Note! Switch off the wheelchair via remote control (power wheelchair only).

Instructions

Note! Suitable work area required!

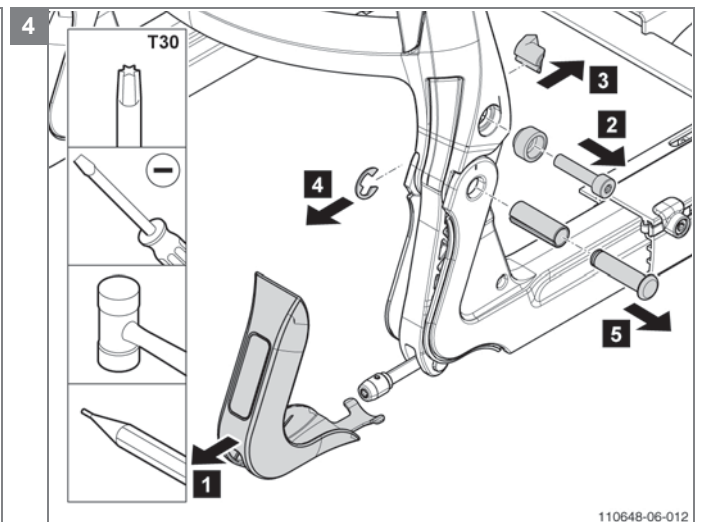
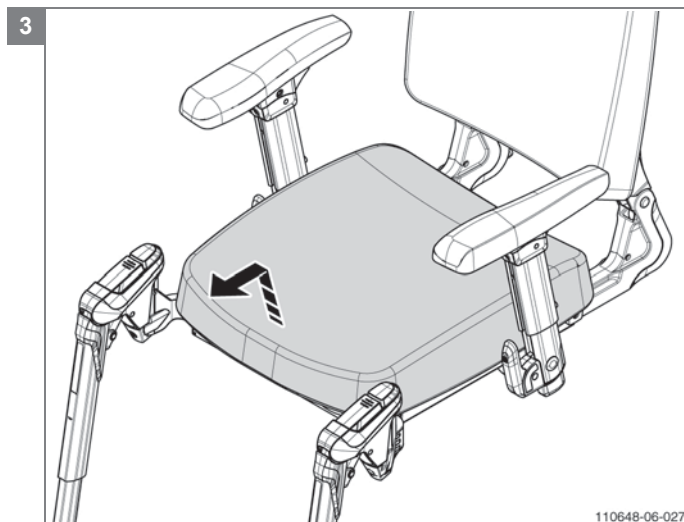
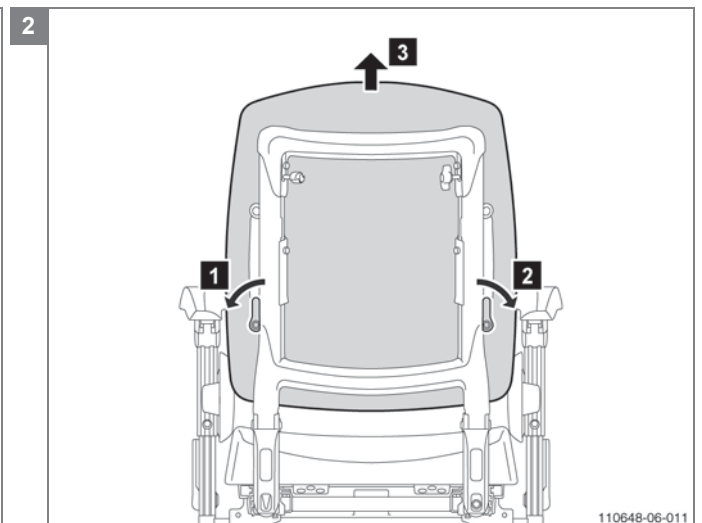
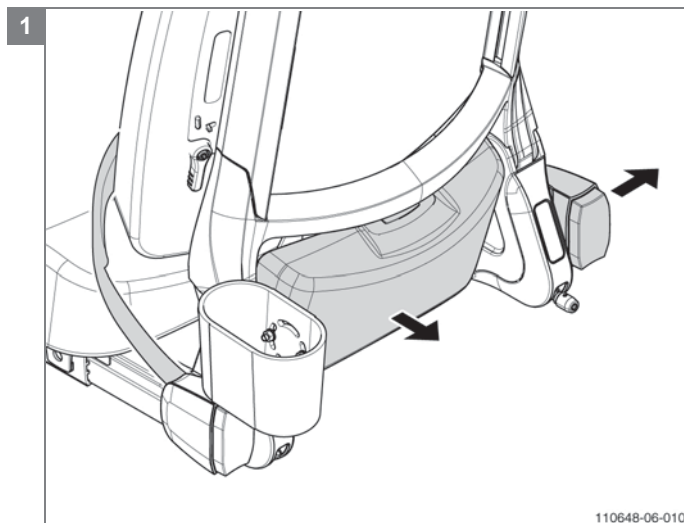
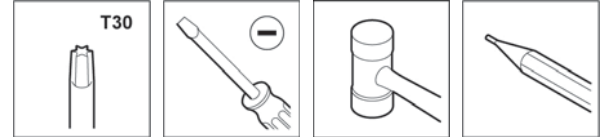
Note! This task is a preparation for mounting the manually reclining backrest or mounting the electrically reclining backrest.

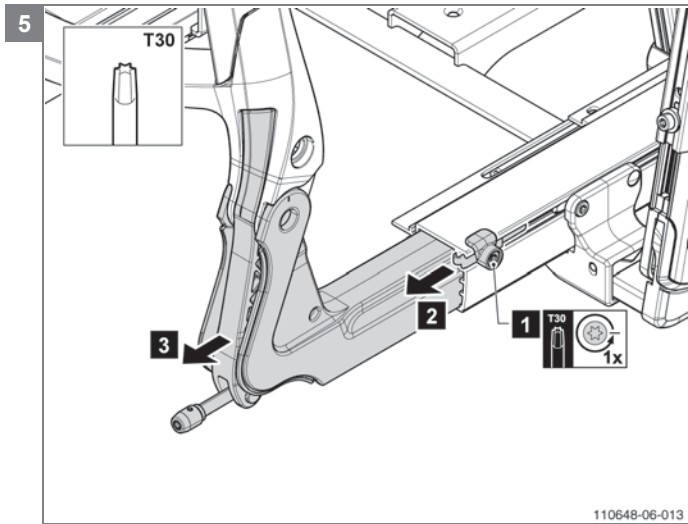
- Follow the illustrated instructions for removing the angle adjustable backrest (right handed slider).

Relevant article numbers

- N.a.

Tools used





Mounting the manually reclining backrest

Preparation

Note! Switch off the wheelchair via remote control (power wheelchair only).

Instructions

Note! Suitable work area required!

Note! Before mounting the manually reclining backrest you have to remove the angle adjustable backrest.

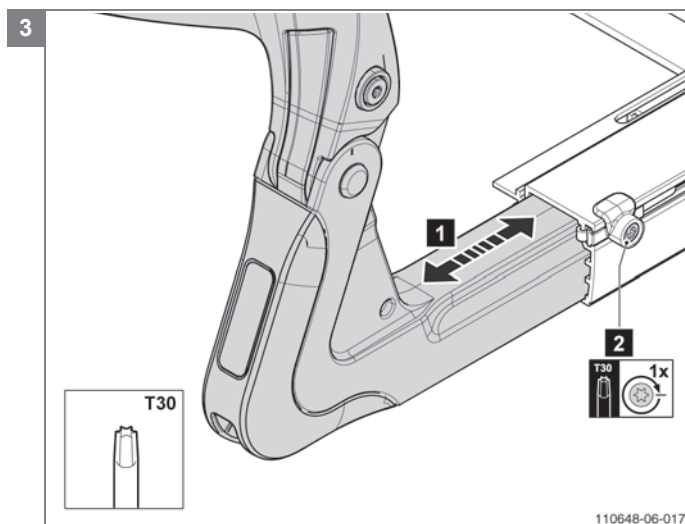
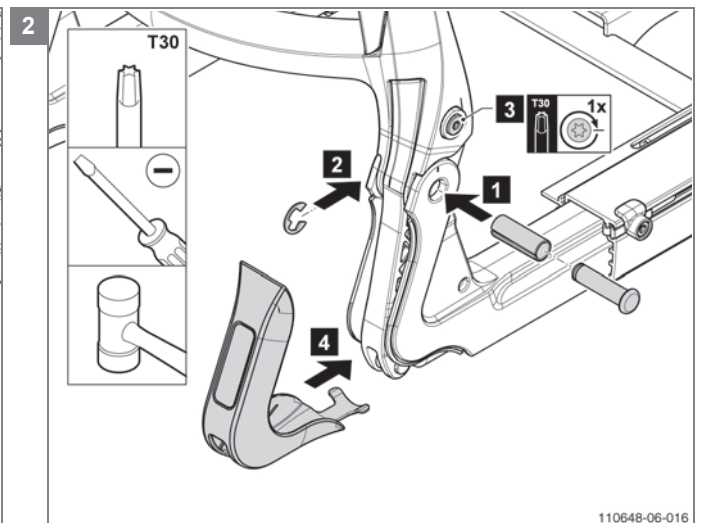
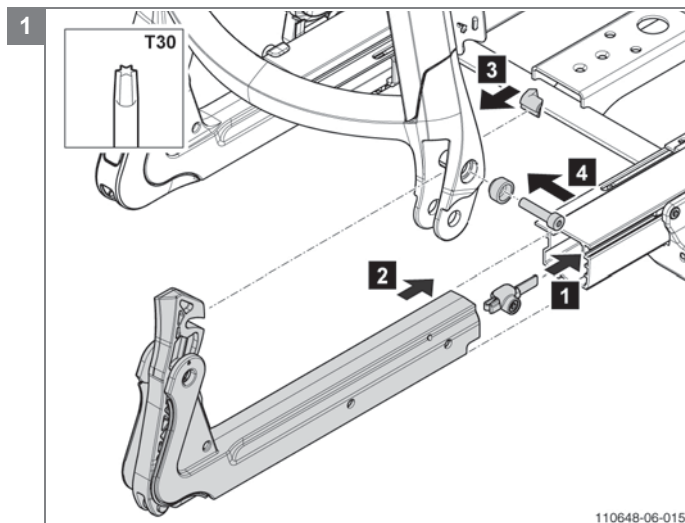
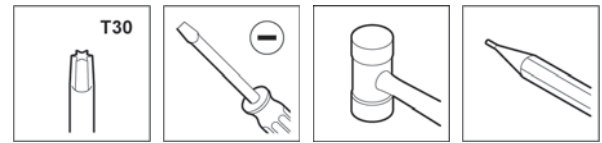
See § 5.3.3.

- Follow the illustrated instructions for mounting the manually reclining backrest.
- Rebuild afterwards the wheelchair in reversed order.

Relevant article numbers

- 1010964 Backrest slider right gas spring

Tools used



Mounting the electrically reclining backrest

Preparation

Note! Switch off the wheelchair via remote control (power wheelchair only).

Instructions

Note! Suitable work area required!

Note! Before mounting the electrically reclining backrest you have to remove the angle adjustable backrest.

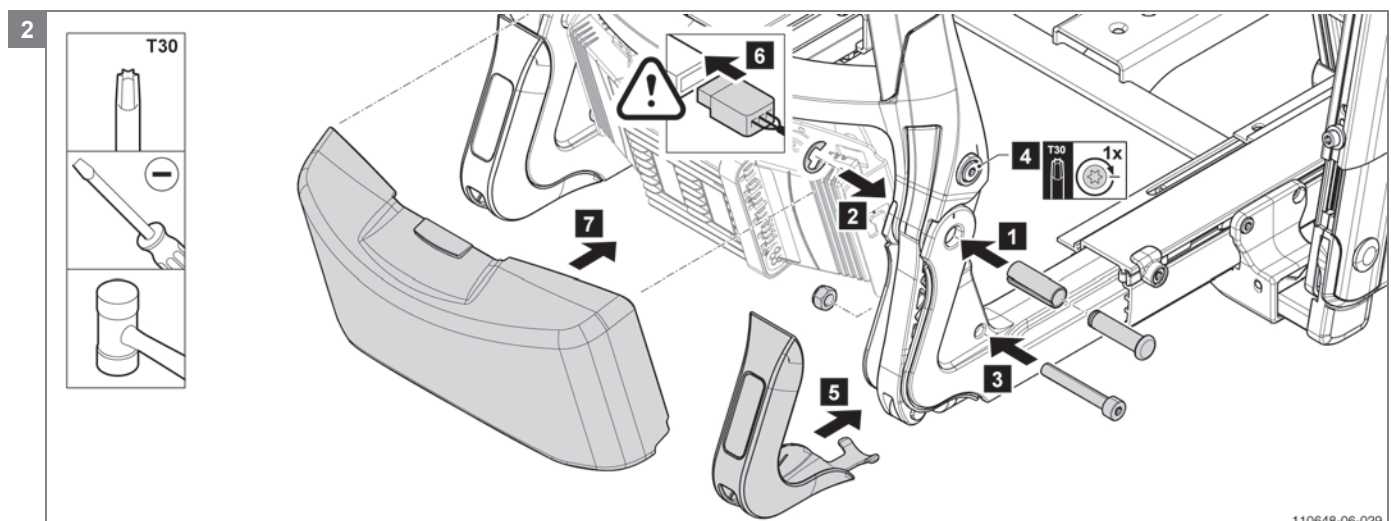
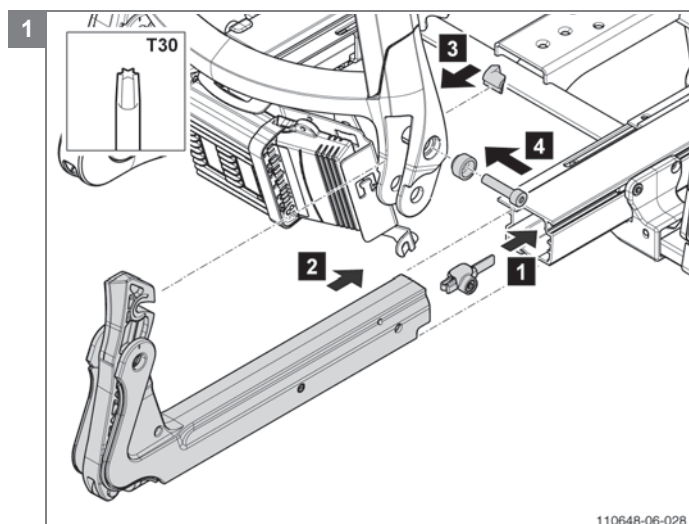
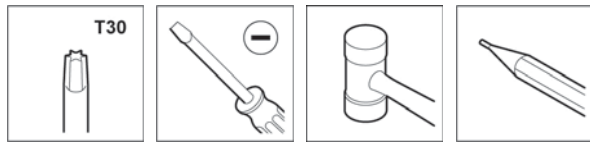
See § 5.3.3.

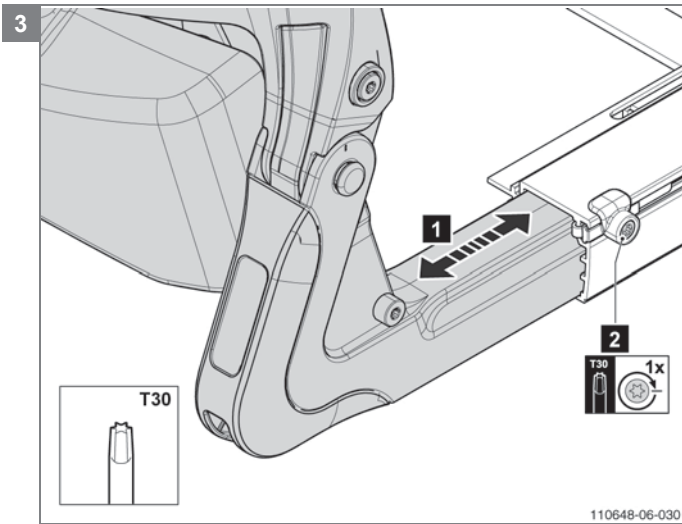
- Follow the illustrated instructions for mounting the electrically reclining backrest.
- Rebuild afterwards the wheelchair in reversed order.

Relevant article numbers

- 1010965 Backrest slider electrical

Tools used





5.3.4 Mounting the push bars

Replacing the height adjustable push bars, or mounting the angle adjustable push bar (manual wheelchair only).

Preparation

N.a.

Instructions

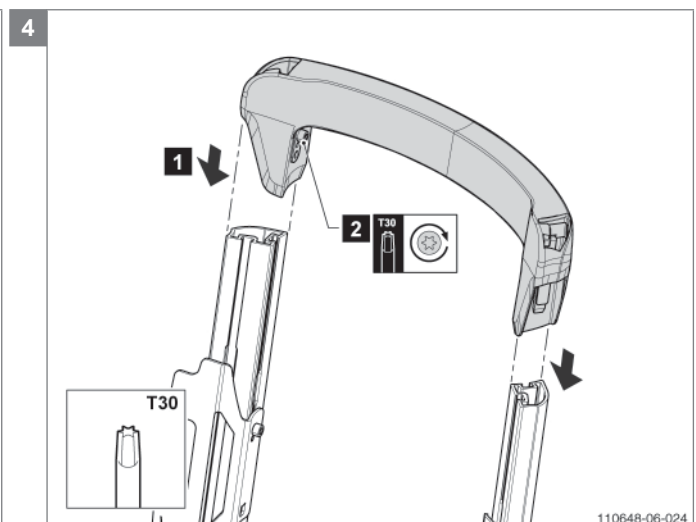
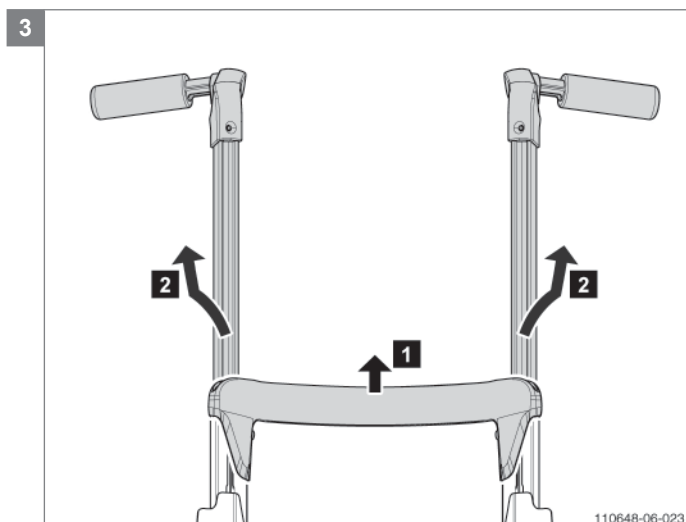
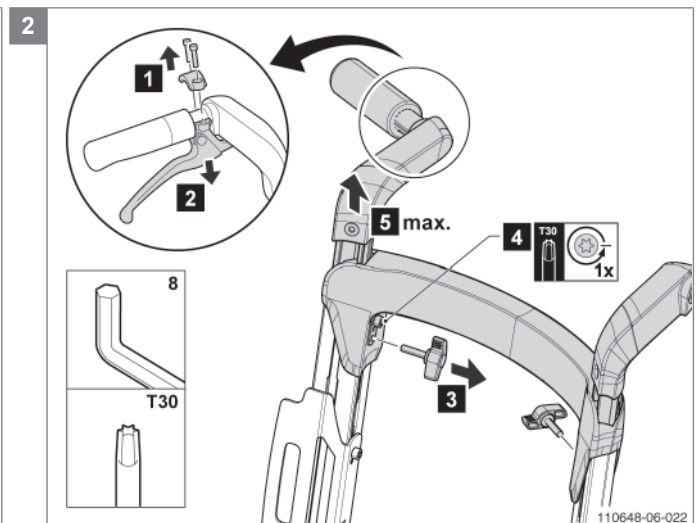
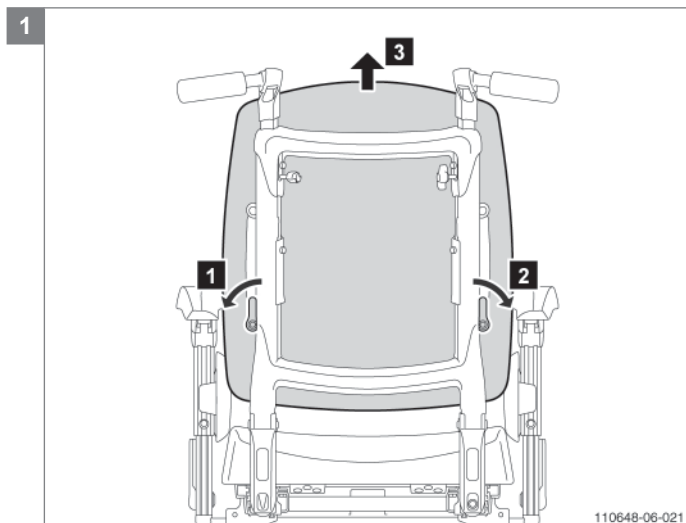
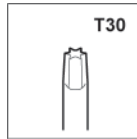
Note! Suitable work area required!

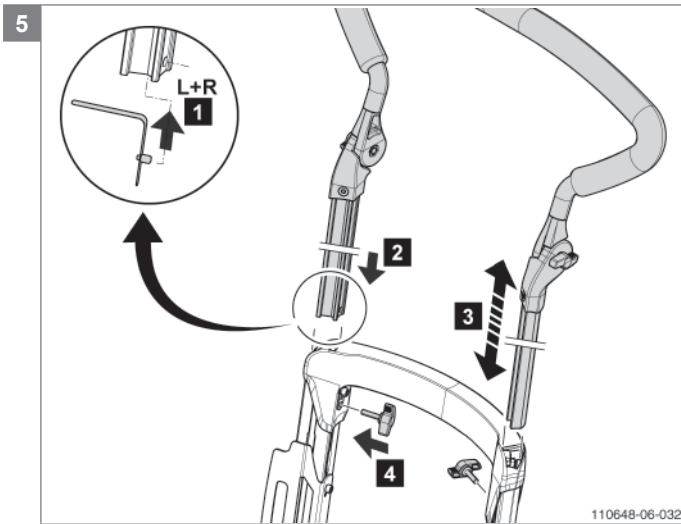
- Follow the illustrated instructions for replacing the height adjustable push bars or mounting the angle adjustable push bars.
- Rebuild afterwards the wheelchair in reversed order.
- In case you mount the push bar for the first time, remove both covers backrest frame.

Relevant article numbers

- 1010890 Push handle left
- 1010891 Push handle right
- 1010998 Push bar, angle adjustable
- 1010893 Push handle locking clip
- 1010894 Wing screw, M6 x 25 (10 pieces)

Tools used





Note! Be sure you mount the two push handle locking clips.

Mounting the push bar for attendant control (power wheelchair only).**Preparation**

Note! Switch off the wheelchair via remote control (power wheelchair only).

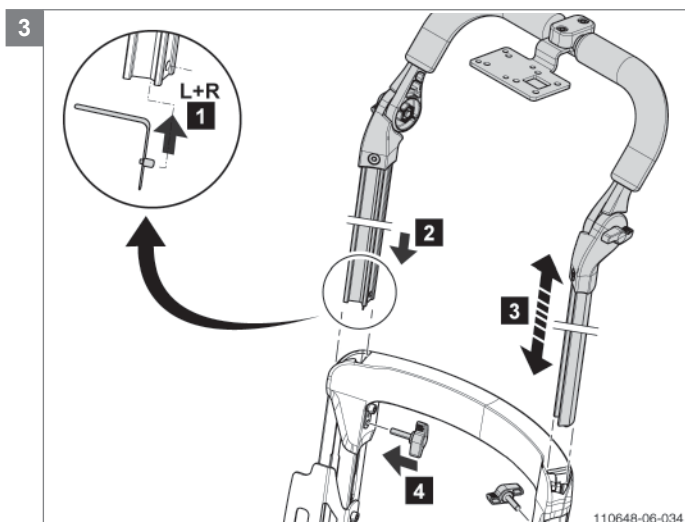
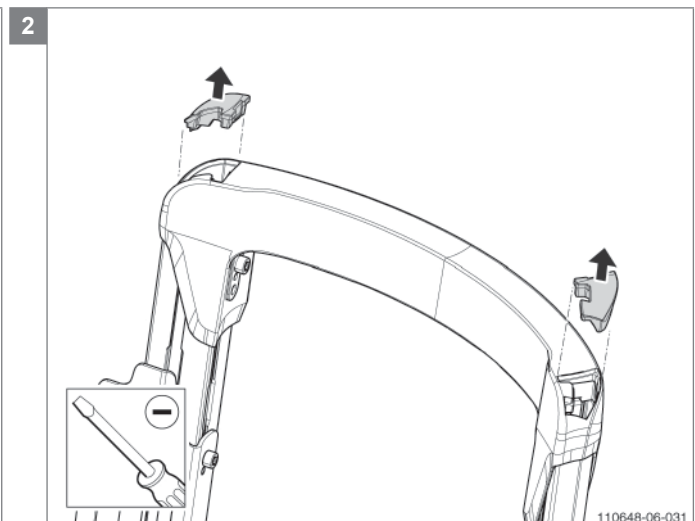
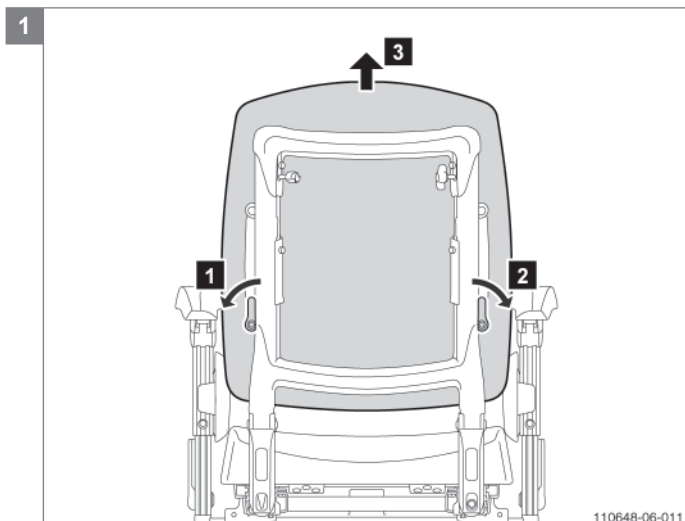
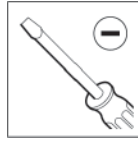
Instructions

Note! Suitable work area required!

- Follow the illustrated instructions for mounting the adjustable push bar for attended control.
- Rebuild afterwards the wheelchair in reversed order.

Relevant article numbers

- 1012272 Push bar for attended control
- 1010893 Push handle locking clip
- 1010894 Wing screw, M6 x 25 (10 pieces)

Tools used

5.3.5 Adjusting or mounting the seat cushion fixation set

Preparation

Note! Switch off the wheelchair via remote control (power wheelchair only).

Instructions

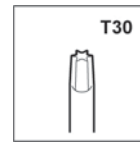
Note! Suitable work area required!

- Follow the illustrated instructions for adjusting or mounting the seat cushion fixation.

Relevant article numbers

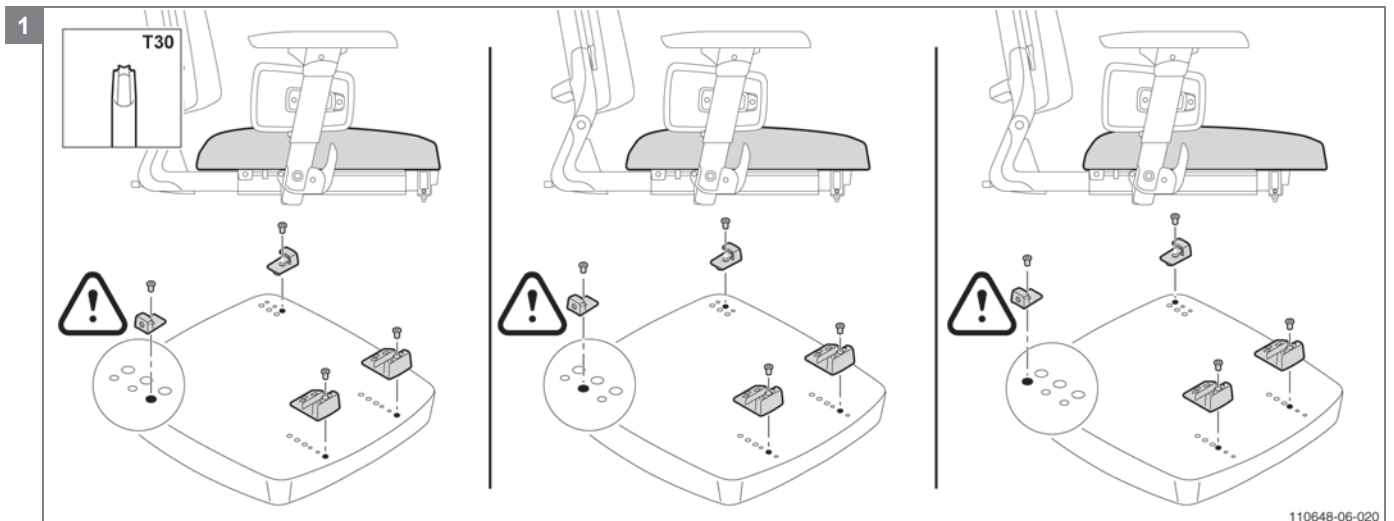
- 1010953 Seat cushion fixation set
- 1012267 Interface board Sedeo Original

Tools used



Notice

Ex-factory the fixation brackets on the cushion or seat are always mounted in the middle position! In case you want to reposition the seat cushion, place the fixation brackets at the front and backside always in the same holes! The seat board Sedeo Lite SD40 has only two positions. Ex-factory the fixation brackets on the seat board are mounted in the back position.



5.3.6 Mounting the backrest cushion fixation set

Preparation

Note! Switch off the wheelchair via remote control (power wheelchair only).

Instructions

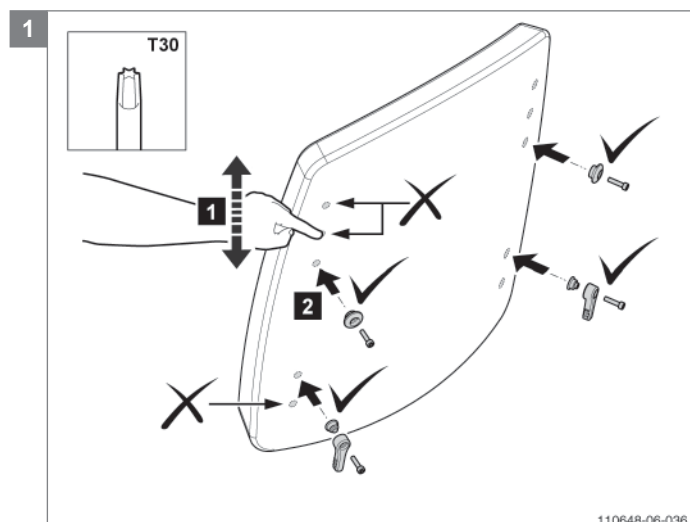
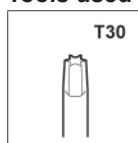
Note! Suitable work area required!

- Follow the illustrated instructions for mounting the backrest seat cushion fixation set.
- Rebuild afterwards the wheelchair in reversed order.

Relevant article numbers

- 1010889 Backrest mounting set

Tools used



Note! Define by feeling the lowest hole at the top of the frame and the highest hole at the bottom of the frame. The unused holes are intended for the Sedeo Original seat frame!

5.3.7 Mounting the thoracic supports

Preparation

Note! Switch off the wheelchair via remote control (power wheelchair only).

Instructions

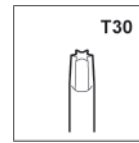
Note! Suitable work area required!

- Follow the illustrated instructions for mounting the thoracic supports.
- Rebuild afterwards the wheelchair in reversed order.

Relevant article numbers

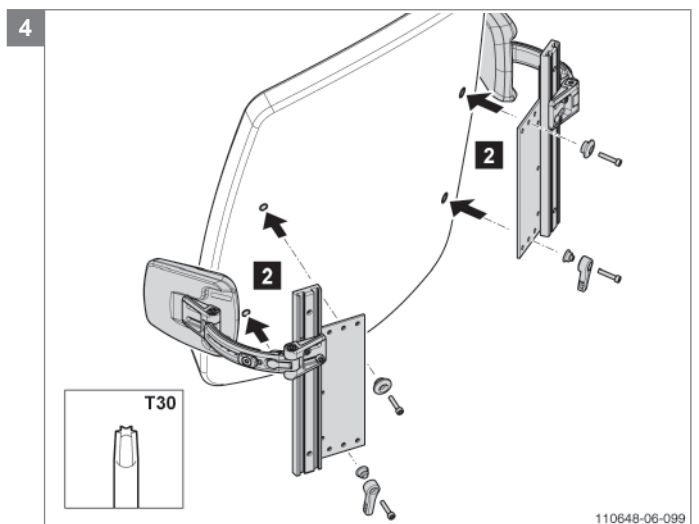
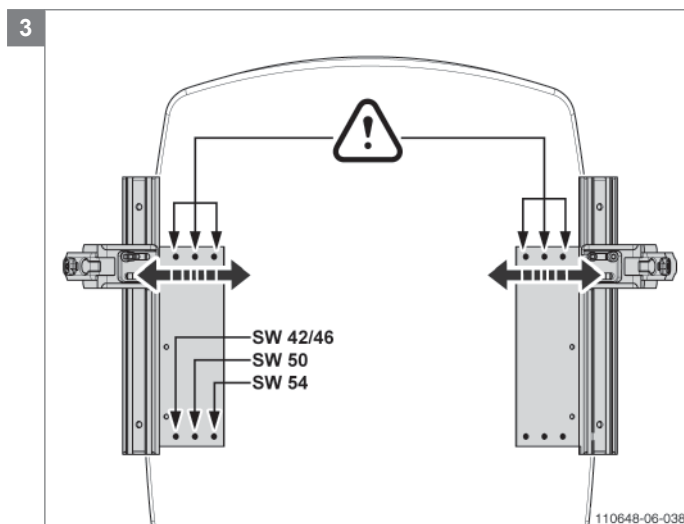
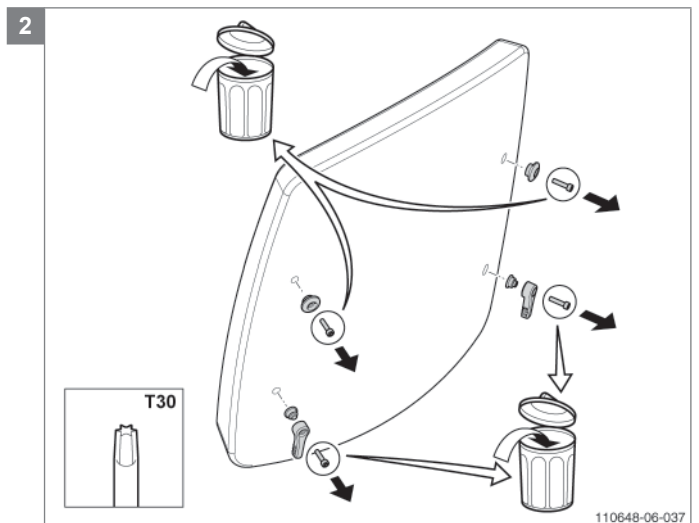
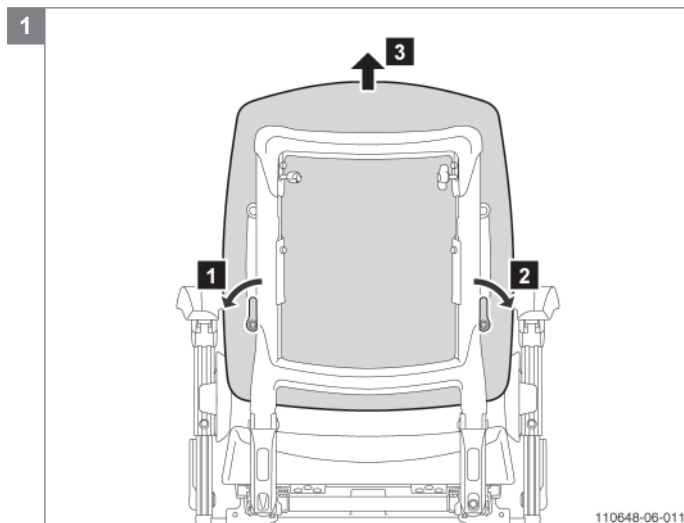
- 1010979 Thoracic support set complete
- 1010978 Thoracic support mounting set
- 1010980 Thoracic support cushion

Tools used



Notice

Some parts need to be replaced; the replacement is indicated by a symbol.



Note! Define the desired width adjustment, taking into account the different width adjustments of the bracket and cushion depths!

5.3.8 Mounting the (manually elevating) central legrest

Preparation

Note! Switch off the wheelchair via remote control (power wheelchair only).

Instructions

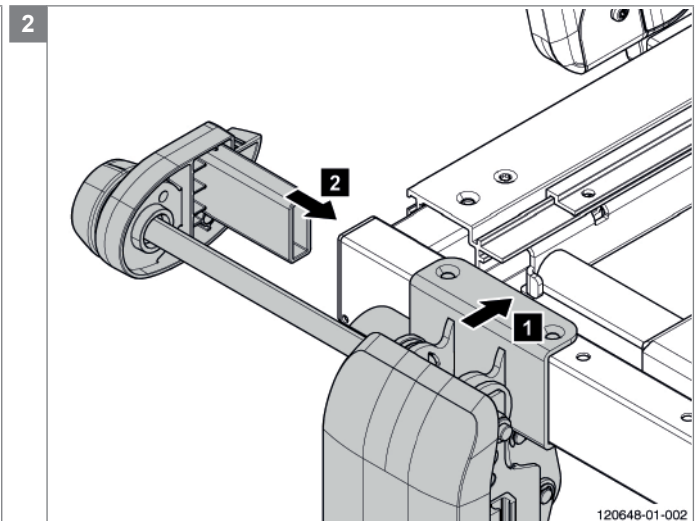
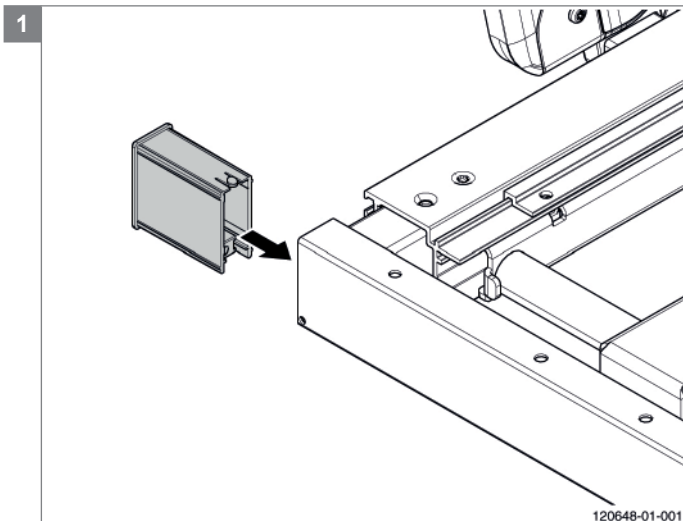
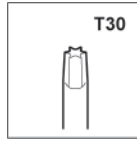
Note! Suitable work area required!

- Follow the illustrated instructions for mounting the manually elevating central legrest
- Adjust the level of friction of the footplate by tightening / unscrewing the Torx on the bottom of the footplate.

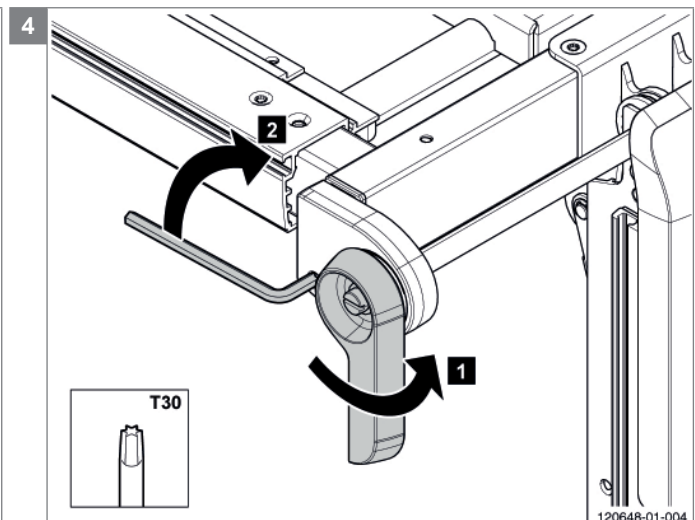
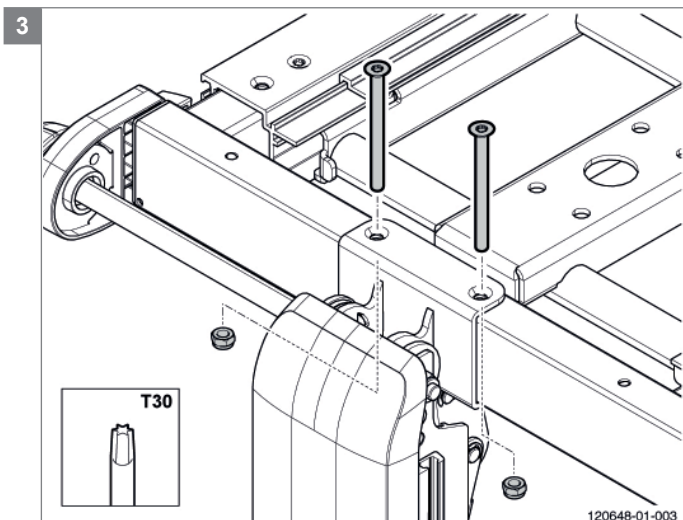
Relevant article numbers

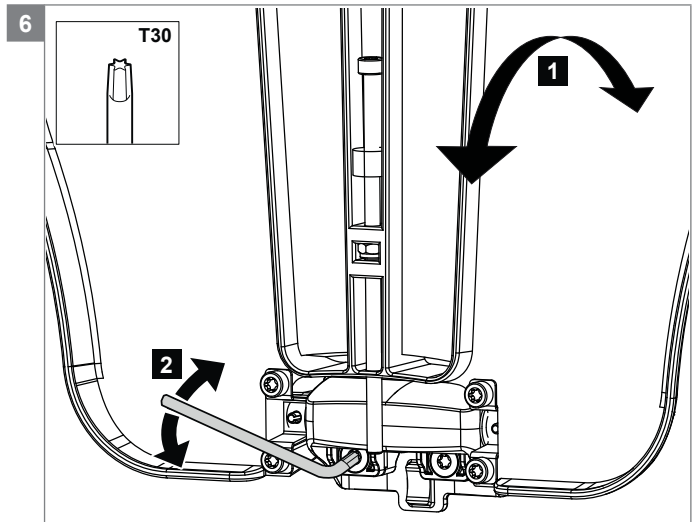
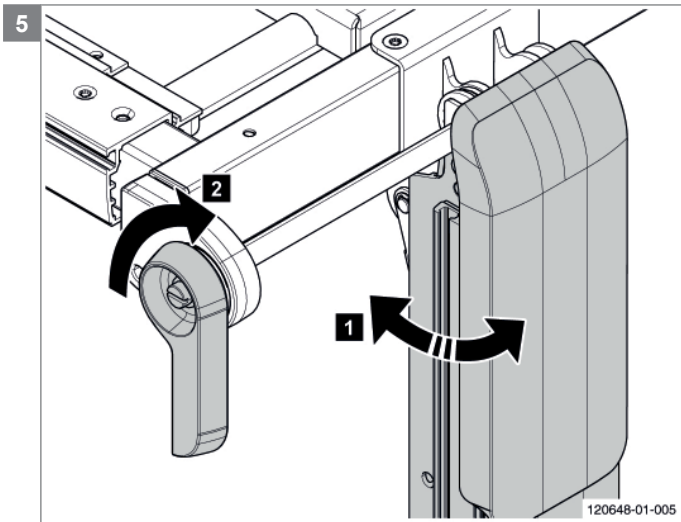
- 1011156 Standard central legrest
- 1011157 Standard central legrest with calf plate
- 1011158 Manually elevating central legrest
- 101 1159 Manually elevating central legrest with calf plate

Tools used



Note! Release the operating lever





5.3.9 Mounting the electrically elevating central legrest

Preparation

Note! Switch off the wheelchair via remote control.

Instructions

Note! Suitable work area required!

- Remove seat and legrests.
- Unscrew the bolts (4x) that attach the legrest support frame to the seat support frame.
- Release the footplate fixing screw and lower the footplates to remove it from the legrest.
- Screw the calf plate mounting bracket to the central column.
- Mount the calf plates to the mounting bracket.
- Slide the central legrest unit into the front of the seat support frame and secure the central legrest unit with the bolts (4x) on the top and one bolt on either side of the seat support frame.
- Attach cable extensions to connectors and control box

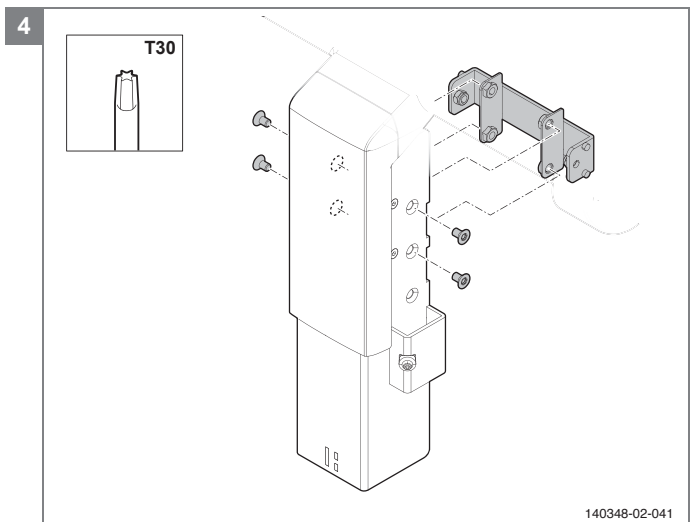
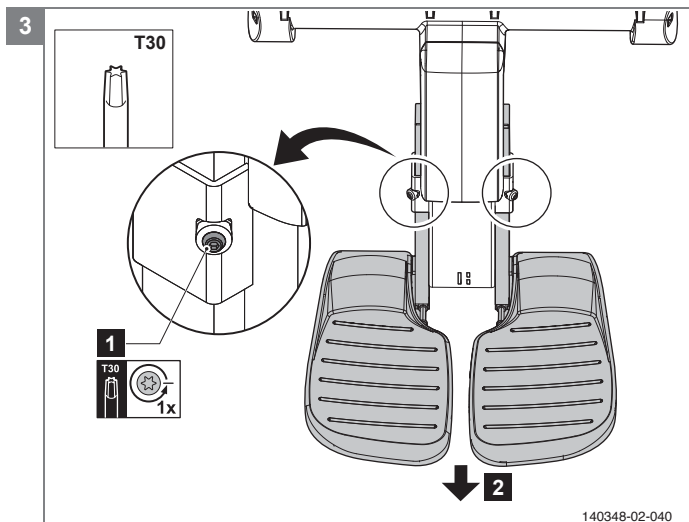
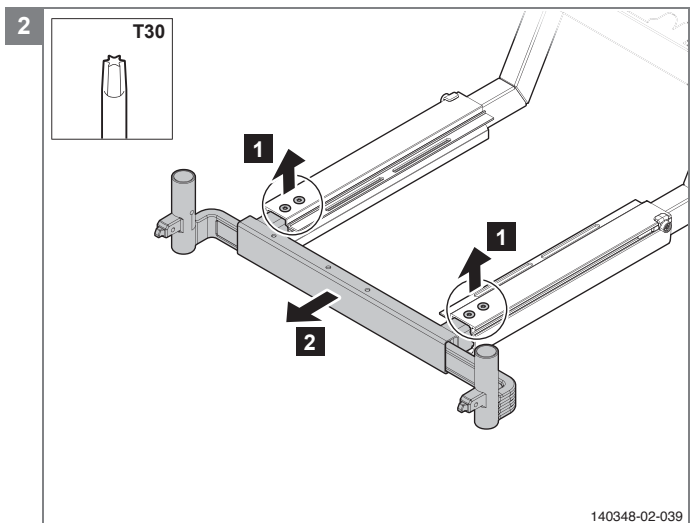
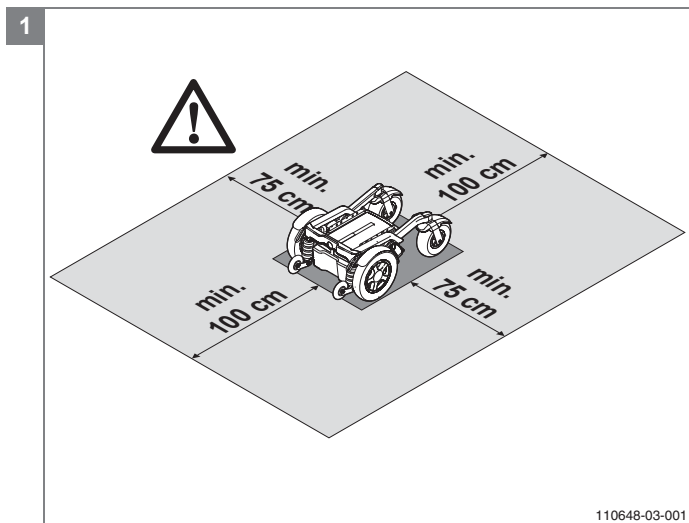
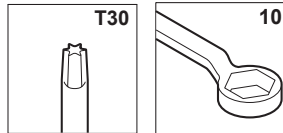
Note! See backside of control box cover for wiring diagram.

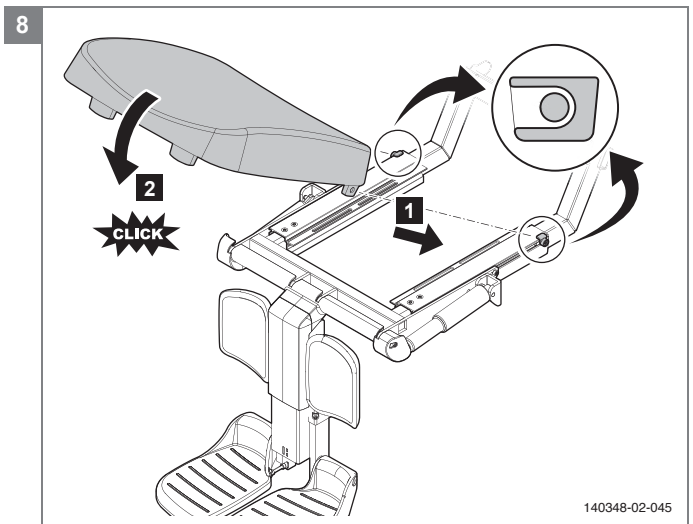
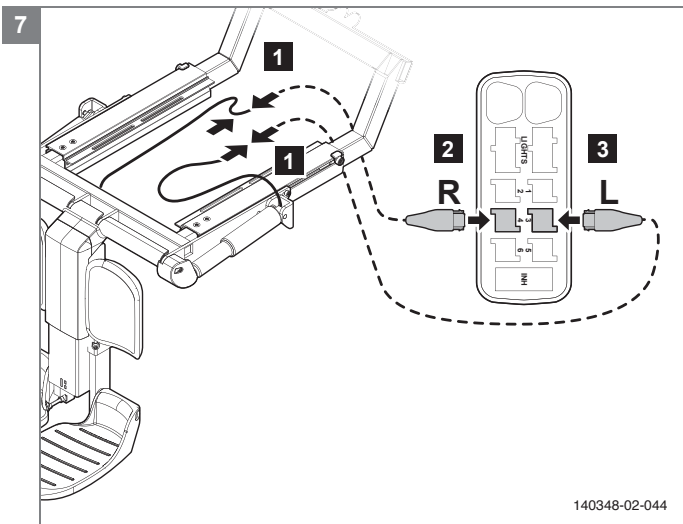
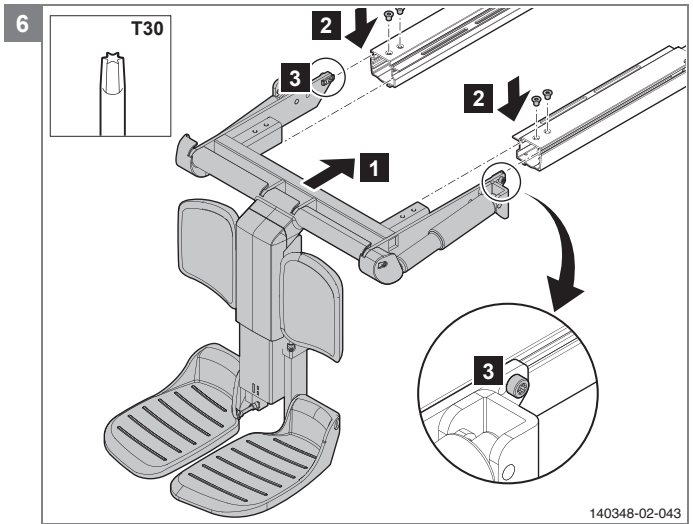
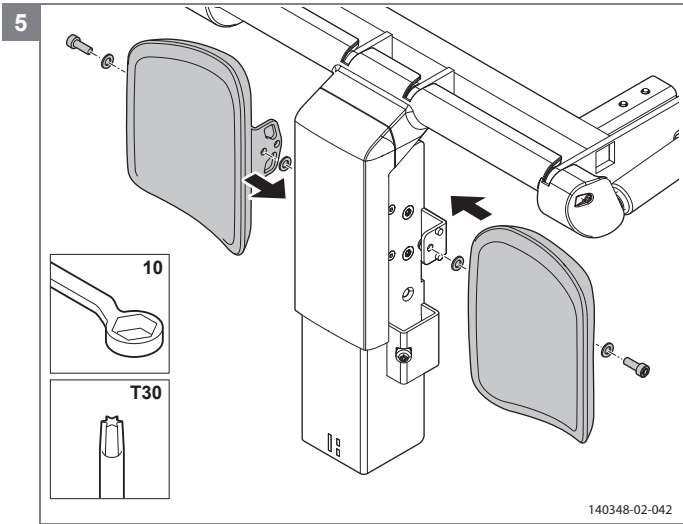
- Hook the seat in place and push it downwards into position.
- **Caution!** Reprogram the controls of the chair.

Relevant article numbers

1016781 Electrically elevating central legrest without calfplates

Tools used





5.3.10 Replacing the f ip up armrest hinge

Preparation

Note! Switch off the wheelchair via remote control (power wheelchair only).

Instructions

Note! Suitable work area required!

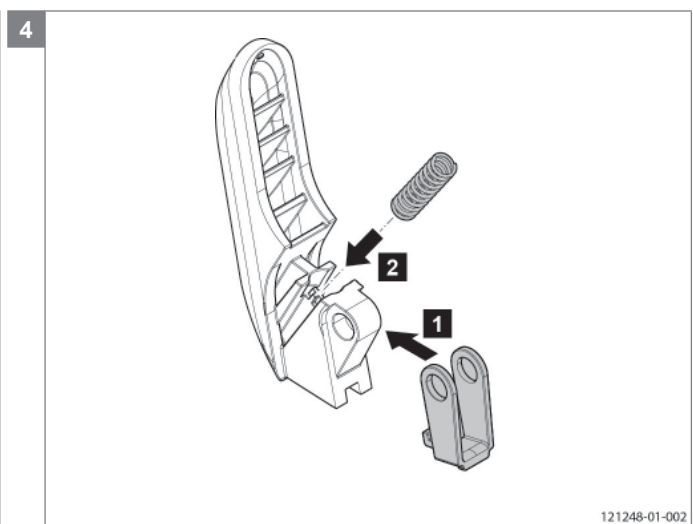
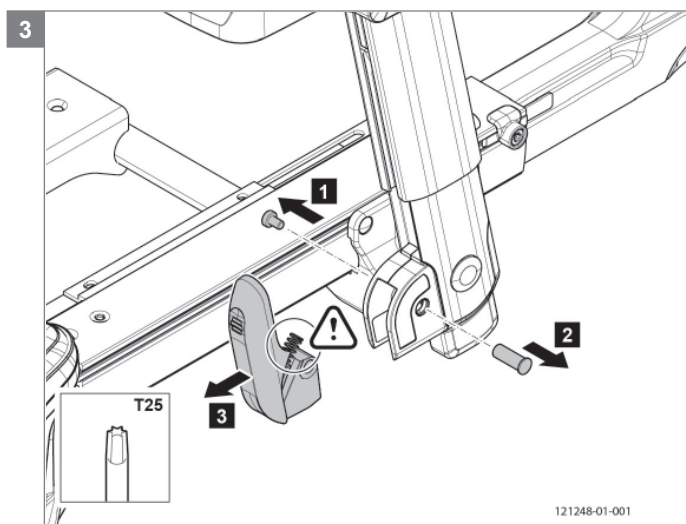
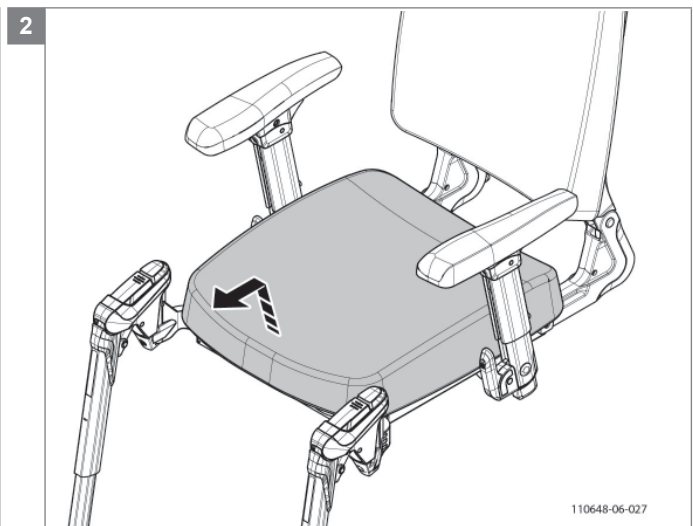
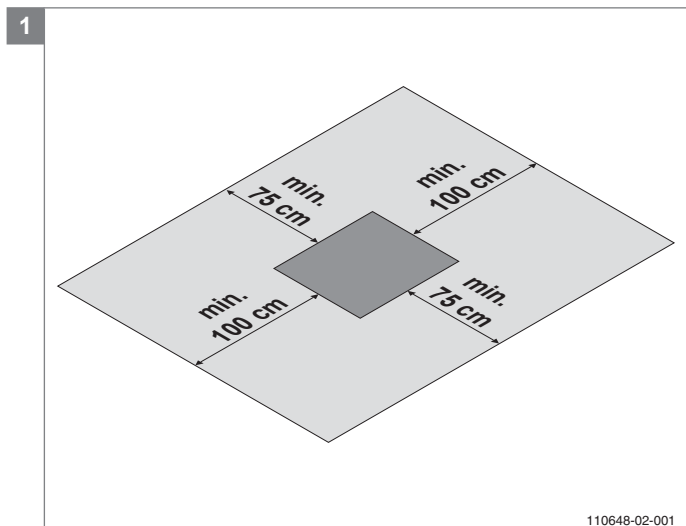
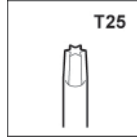
Note! This task is a preparation for replacing the f ip up armrest hinge.

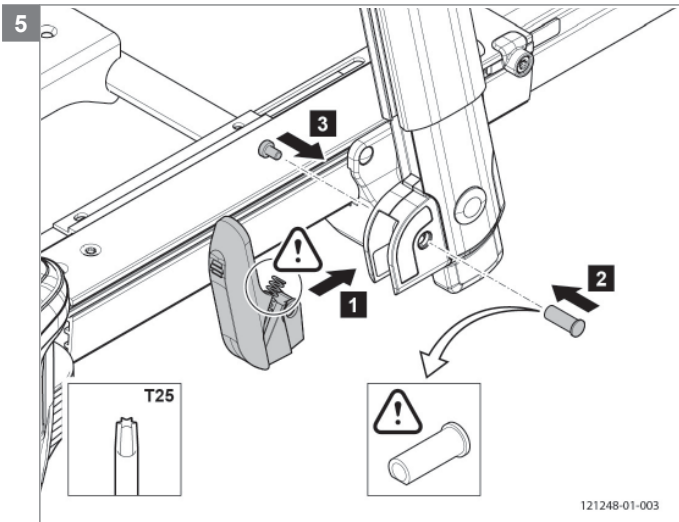
- Follow the illustrated instructions.
- Rebuild afterwards the wheelchair in reversed order.

Relevant article numbers

- 9007777 Flip up armrest lever

Tools used





5.3.11 Mounting the standard or swing-away remote holder

Preparation

Note! Switch off the wheelchair via remote control (power wheelchair only).

Instructions

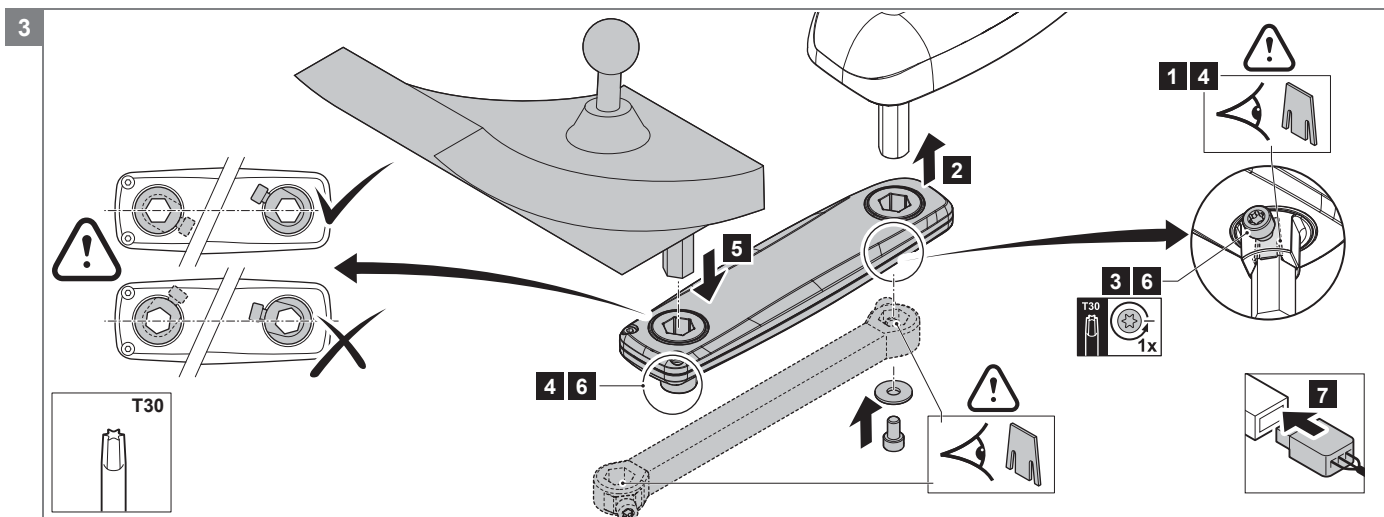
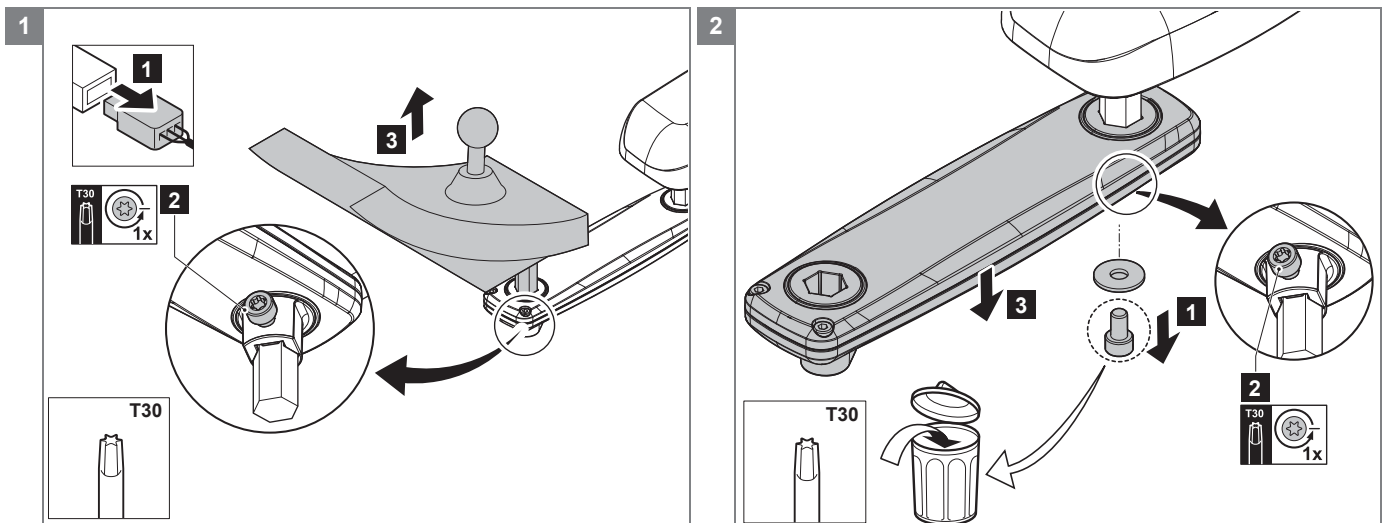
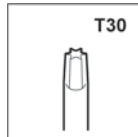
Note! Suitable work area required!

- Follow the illustrated instructions for mounting the standard or the swing-away remote bracket.
- **Note!** Check the cable laying after you have mounted the swing-away remote holder, connected the remote control and adjusted the height, width and depth of the armrest. The remote control cable needs enough clearance to swing away the remote control freely inwards and outwards.

Relevant article numbers

- 1010951 Swing-away remote holder
- 1010952 Standard remote holder
- 1011164 Swing-away remote holder complete
- 1011165 Standard remote holder complete

Tools used



Note! Notice the position of the hexagon at any bracket. The hexagon should point with an edge forward!

5.3.12 Mounting the lighting on f ip-up armrest

Preparation

Note! Switch off the wheelchair via remote control (power wheelchair only).

Instructions

Note! Suitable work area required!

- Follow the illustrated instructions for mounting the lights.
- Rebuild afterwards the wheelchair in reversed order.

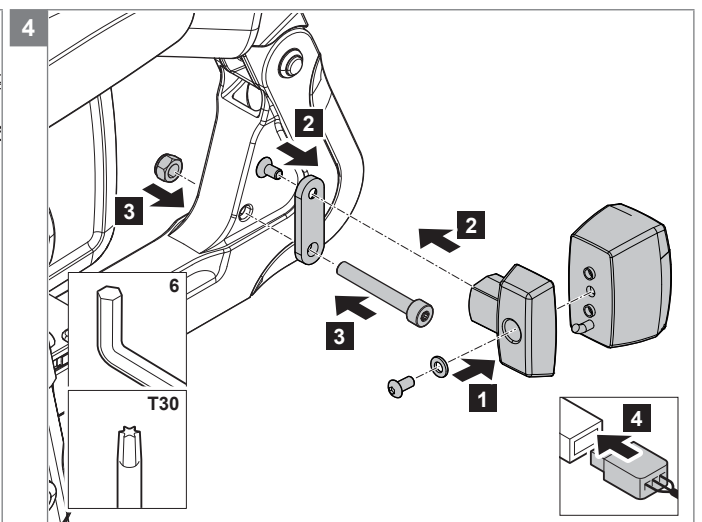
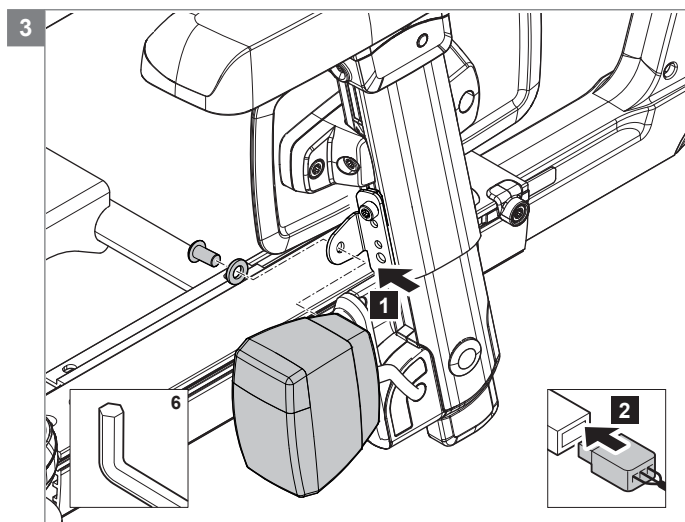
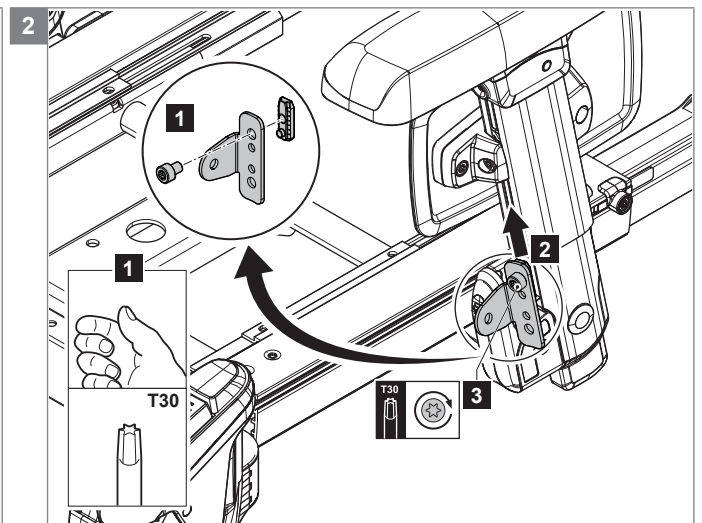
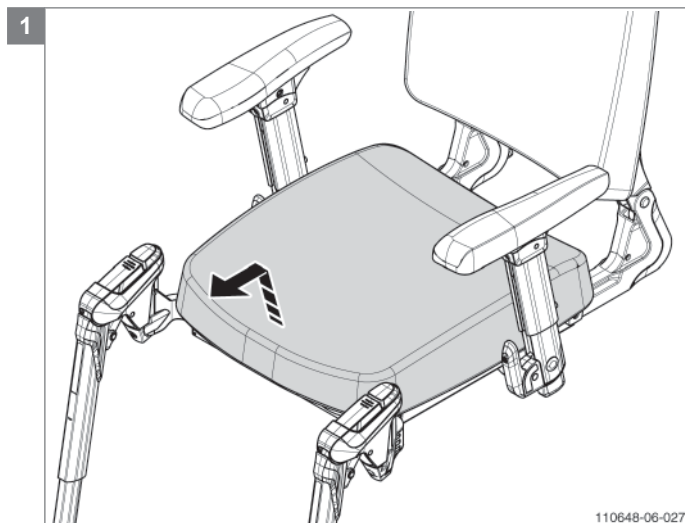
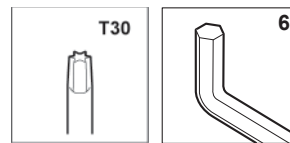
Relevant article numbers

- 1010963 Lighting set Shark
- 1014904 Lighting set DX2
- 1014905 Lighting set R-net
- 1014906 Lighting set VR2
- 1010959 Front light module for mounting on f ip up armrest, left = right
- 1010961 Rear light module for mounting on f ip up armrest, left = right

- 9006302 Lighting harness Shark, no tilt and/or lift
- 9006298 Lighting harness Shark with tilt and/or lift
- 9006312 Lighting harness DX2, no tilt and/or lift
- 9006313 Lighting harness DX2 with tilt and/or lift
- 9006331 Lighting harness R-net lighting
- 9006332 Lighting harness R-net lighting and horn
- 9006333 Lighting harness VR2

Socket head screw M8x50 DIN912 in combination with electronic box Socket head screw M8x60 DIN912 required

Tools used



Note! In combination with electronic box Socket head screw M8x60 DIN912 required

5.3.13 Mounting the abduction support

Preparation

Note! Switch off the wheelchair via remote control (power wheelchair only).

Instructions

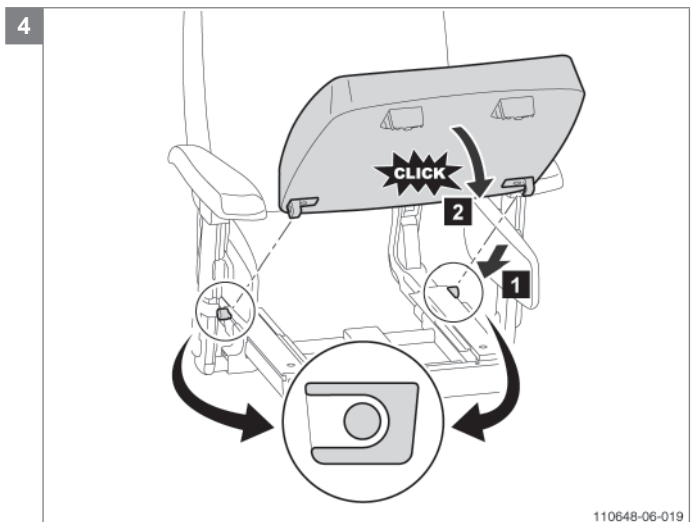
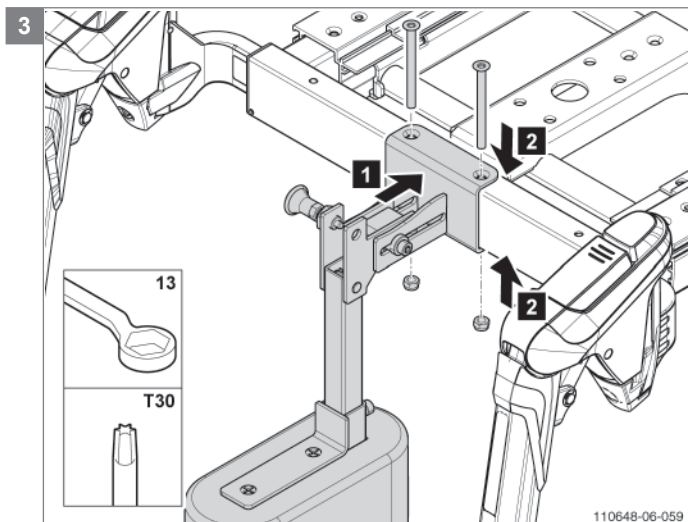
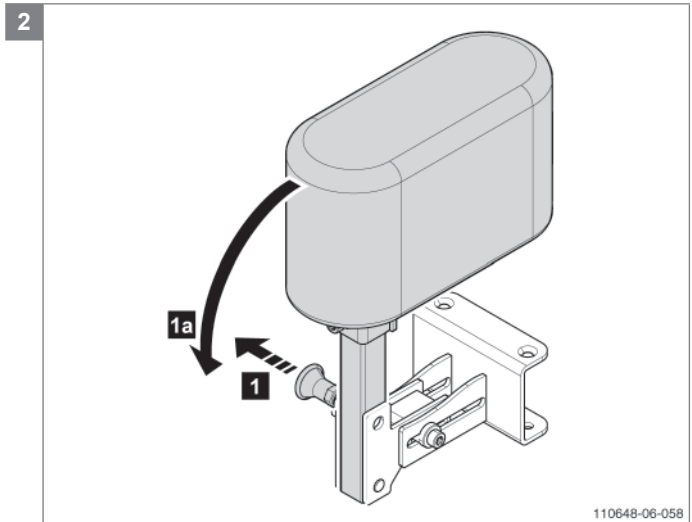
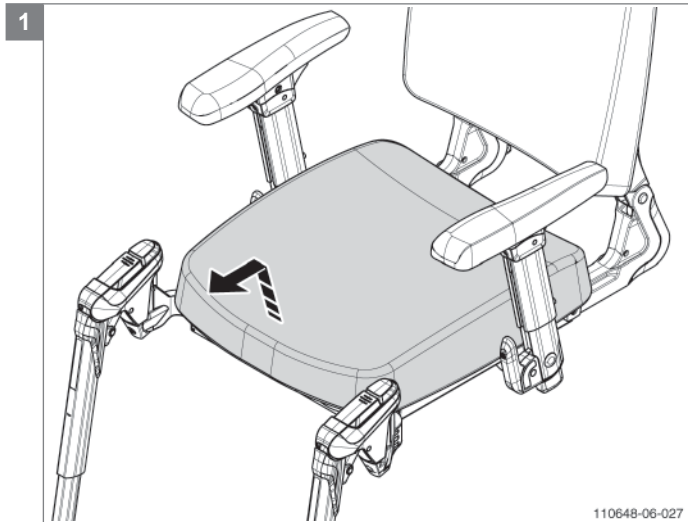
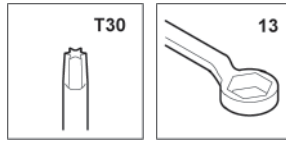
Note! Suitable work area required!

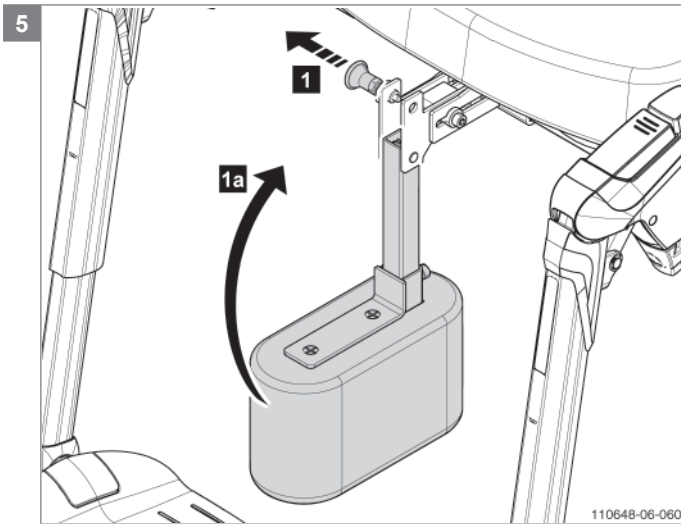
- Follow the illustrated instructions for mounting the abduction support.
- Rebuild afterwards the wheelchair in reversed order.

Relevant article numbers

- 101 1002 Abduction support

Tools used





Note! Adjust the abduction support to the desired position, see the Sedeo Pro user manual.

5.3.14 Mounting the hemiplegia armrest

Preparation

Note! Switch off the wheelchair via remote control (power wheelchair only).

Instructions

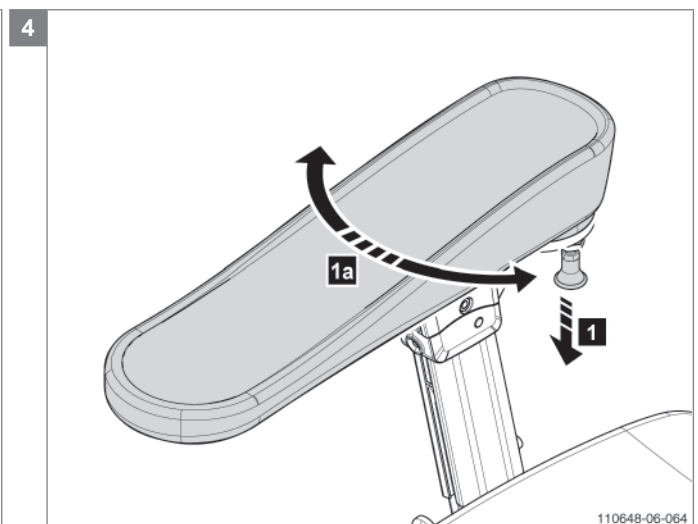
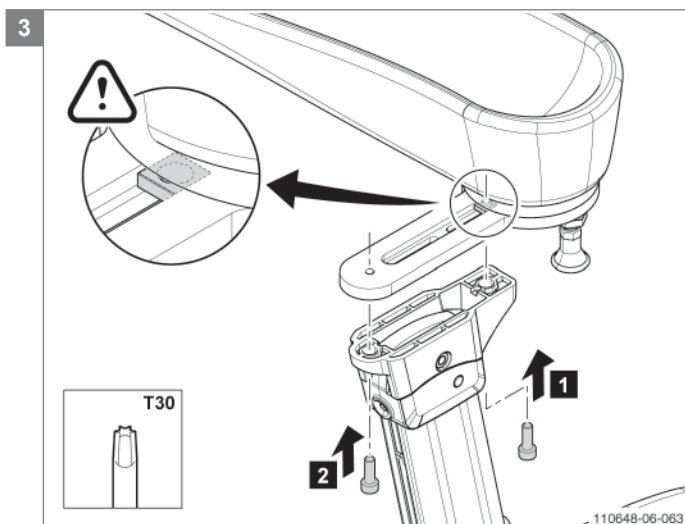
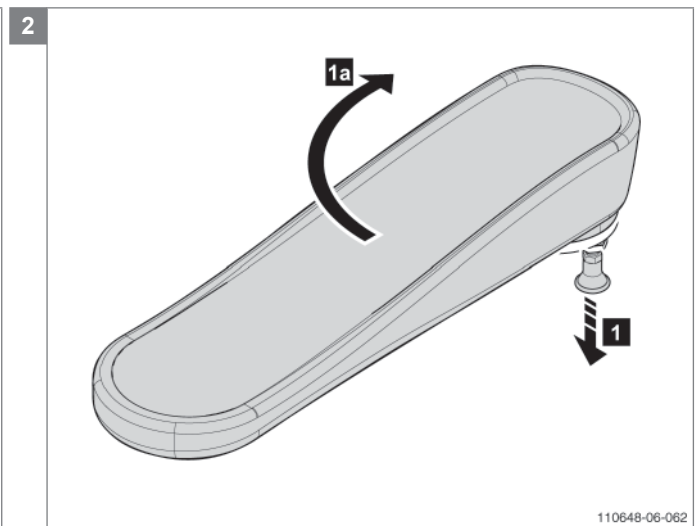
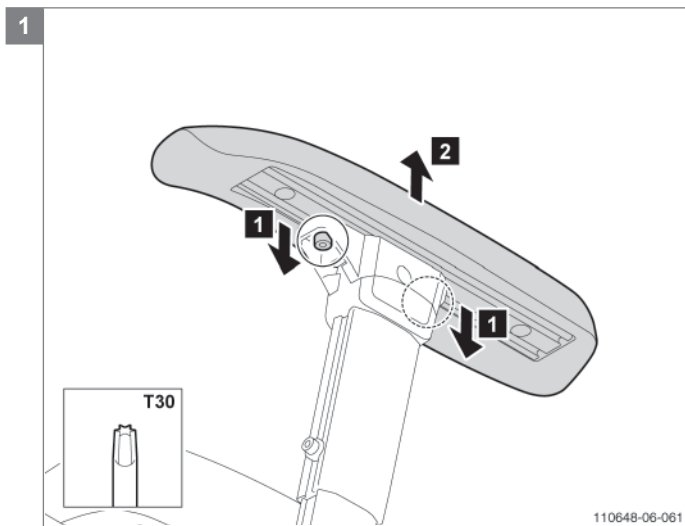
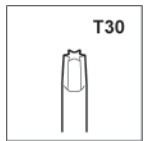
Note! Suitable work area required!

- Follow the illustrated instructions for mounting the hemiplegia armrest.

Relevant article numbers

- 1010977 Hemiplegia armrest

Tools used



5.3.15 Mounting the mirror

Preparation

Note! Switch off the wheelchair via remote control (power wheelchair only).

Instructions

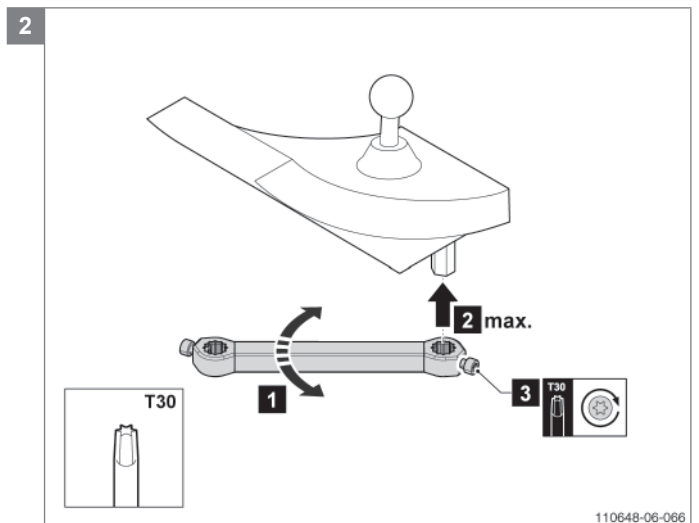
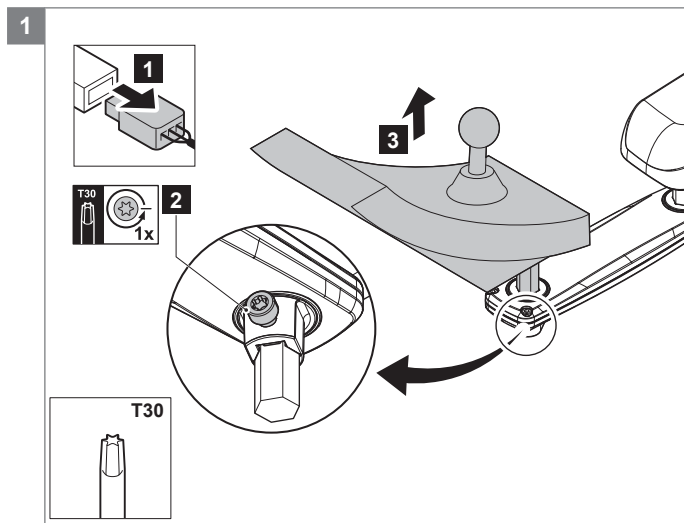
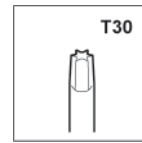
Note! Suitable work area required!

- Follow the illustrated instructions for mounting the mirrors at both sides (joystick side, 1-4/ not joystick side, 5-8)

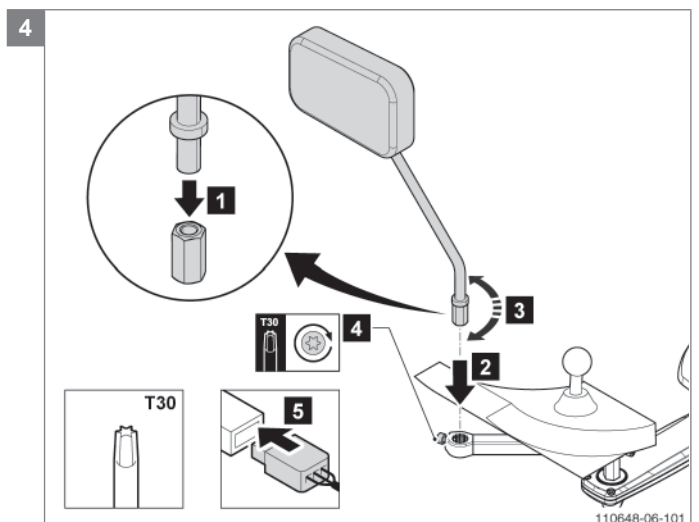
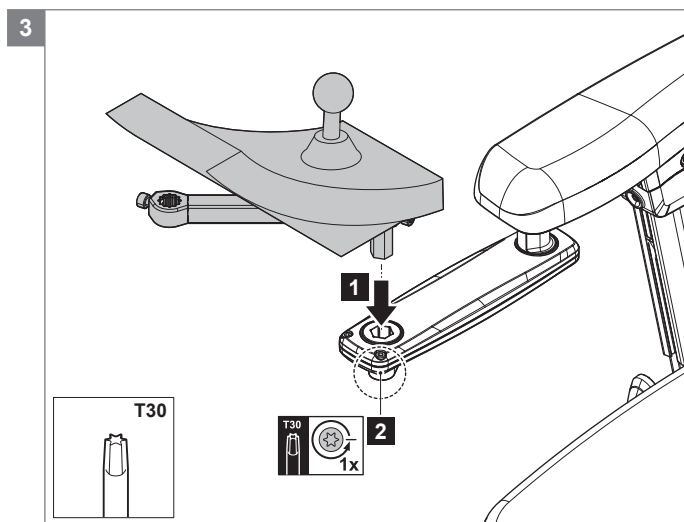
Relevant article numbers

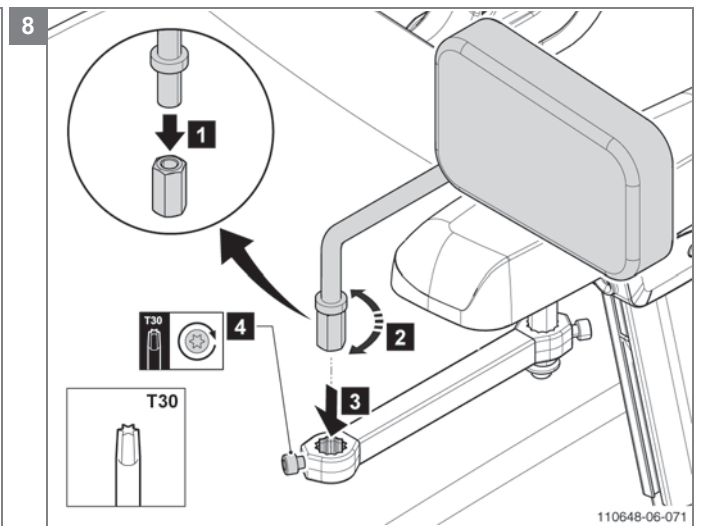
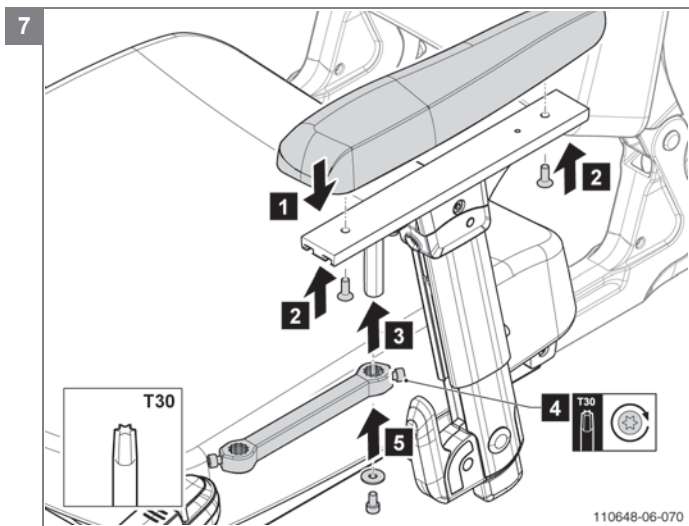
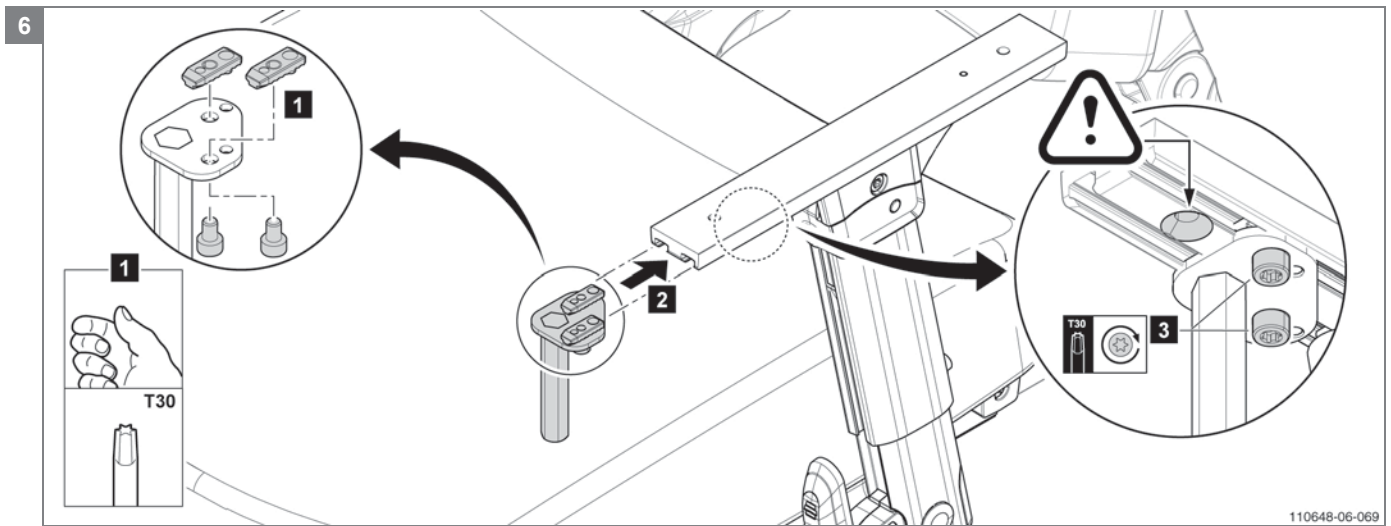
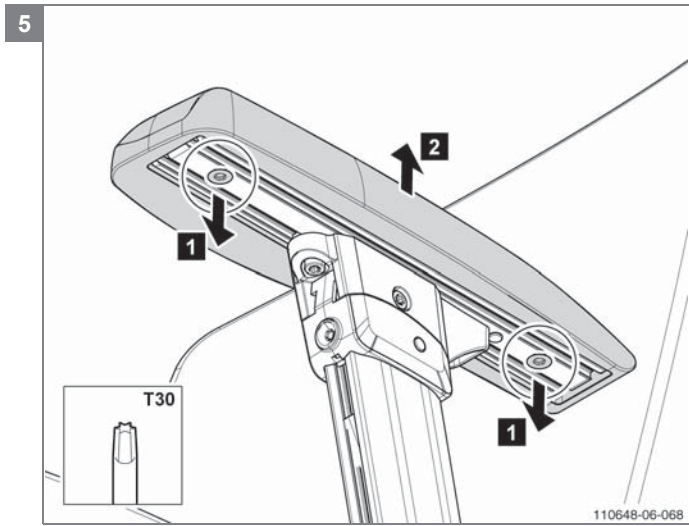
- 1012269 Mirror joystick side right
- 1012320 Mirror joystick side left
- 1012319 Mirror not joystick side right
- 1012321 Mirror not joystick side left

Tools used



Note! Adjust mirror bracket when charger plug not in reach





5.3.16 Mounting the positioning belt

Preparation

Note! Switch off the wheelchair via remote control (power wheelchair only).

Instructions

Note! Suitable work area required!

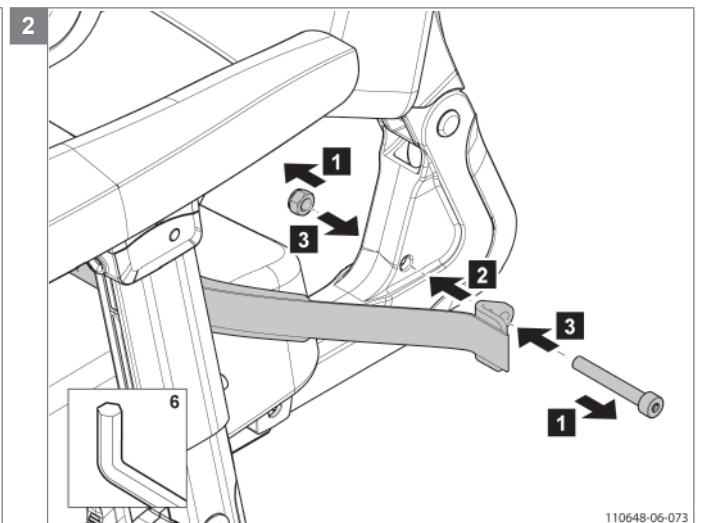
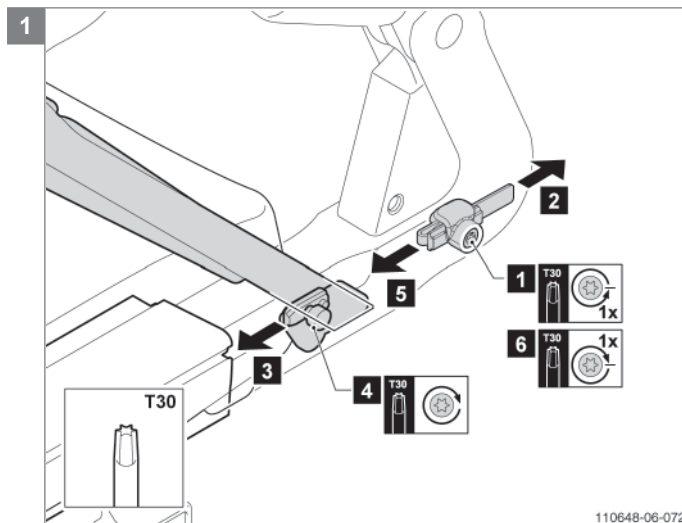
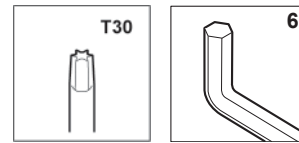
- Follow the illustrated instructions for mounting the positioning belt short or long.
- Mounting on the seat frame, see ill. 1.
- Mounting on the slider, see ill. 2.

Relevant article numbers

- 1010991 Positioning belt short
- 1010992 Positioning belt long

Socket head screw M8x50 DIN912 in combination with electronic box
 Socket head screw M8x60 DIN912 required

Tools used



Note! In combination with electronic box Socket head screw M8x60 DIN912 required

5.3.17 Mounting the cane holder

Preparation

Note! Switch off the wheelchair via remote control (power wheelchair only).

Instructions

Note! Suitable work area required!

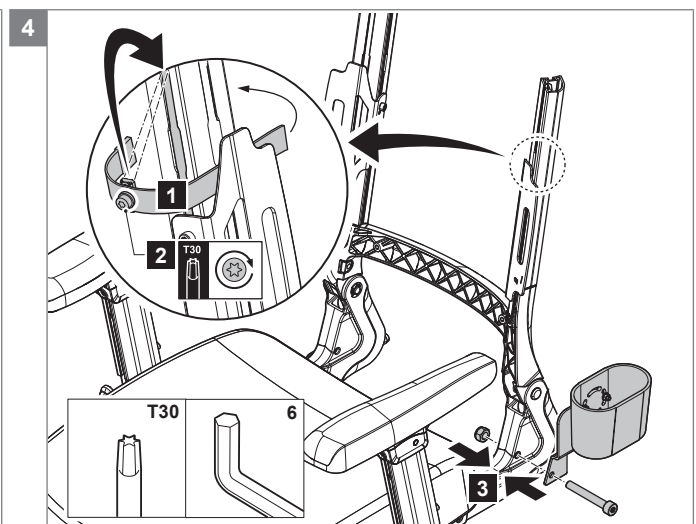
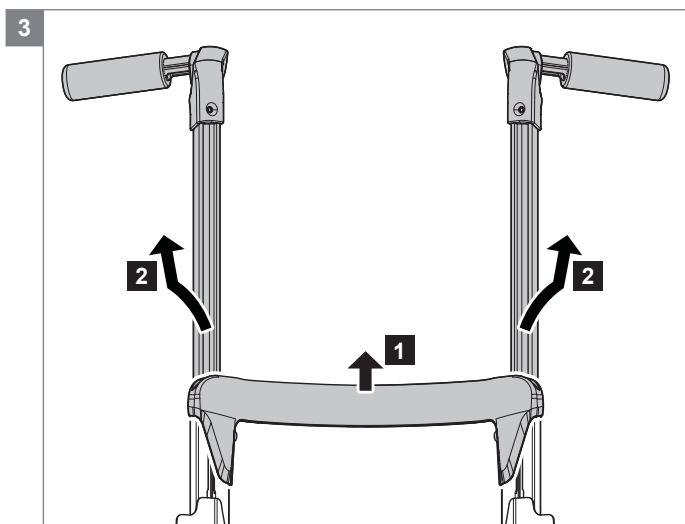
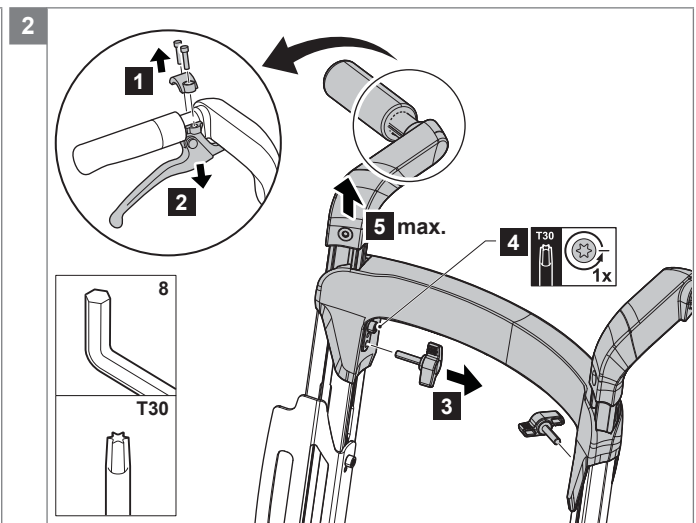
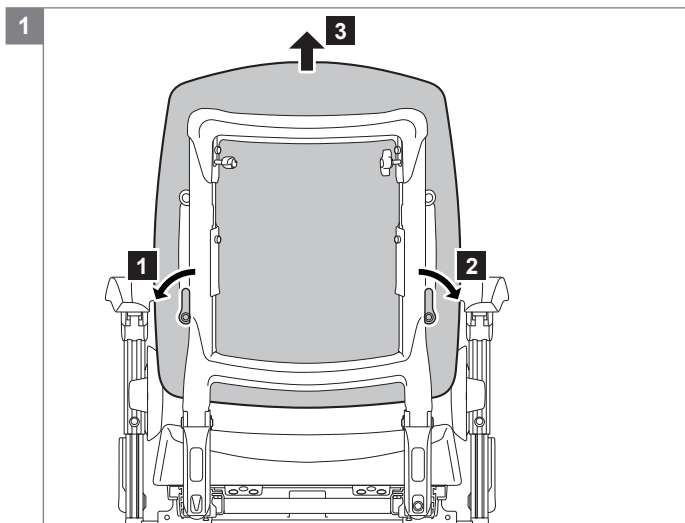
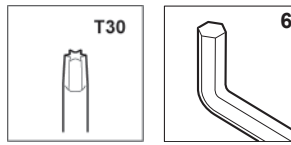
- Follow the illustrated instructions for mounting the cane holder.
- Rebuild afterwards the wheelchair in reversed order.

Relevant article numbers

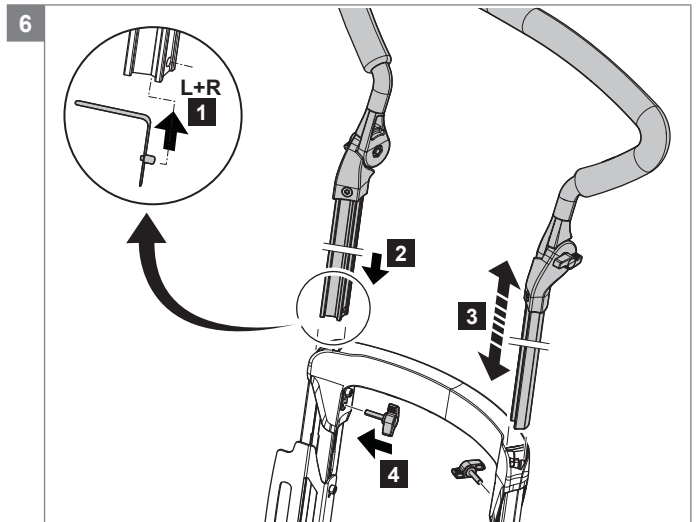
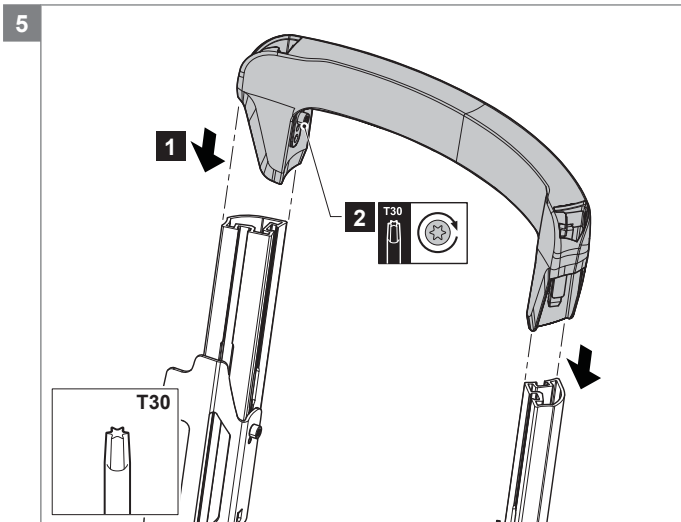
- 1012268 Cane holder

Socket head screw M8x50 DIN912 in combination with electronic box Socket head screw M8x60 DIN912 required

Tools used



Note! In combination with electronic box Socket head screw M8x60 DIN912 required



Note! Be sure you mount the two push handle locking clips.

6 T rouble shooting

If the Sedeo seating system is not working or not working as it should, contact your supplier.

7 Specifications

7.1 CE declaration of conformity



The product is in conformity with the provisions of the Medical Devices Directive and carries the CE mark.

The product also meets the following requirements and standards. This has been verified by independent test organizations.

1. EN 12183 (2009) Manual seating systems or EN 12184 (2009) Electrically powered seating systems.
2. ISO 7176-8 Requirements for impact, static and fatigue strength.
3. ISO 7176-9 Climatic tests for electric seating systems and scooters.
4. ISO 7176-16 Requirements for resistance to ignition of upholstered parts.
5. ISO 7176-19 Crash test.
6. EN-ISO 10993-5 (1999-11) Biological evaluation of medical devices.
7. EN 1021 1,2 Assessment of the ignitability of upholstered furniture. Ignition source: smouldering cigarette/match flame equivalent.

7.2 Technical information Sedeo Lite

Seating system	
User weight	136 kg
Seat width	400 - 510 mm
Seat depth	420 / 440 / 460 / 480 / 500 mm
Point of gravity	0 / 20 / 40 / 60 mm
Seat	
Seat cushion depth position	-20 mm / 0 / +20mm
Backrest	
Backrest height	480 mm
Backrest angle	92° / 97° / 102° / 107°
Armrest	
Armrest pad width	-20 / 0 mm per side
Armrest pad height	170 - 290 mm
Armrest pad depth	80 mm
Standard legrest (set)	
Lower leg length	360 - 460 mm
Knee angle	70°
Elevating legrest (set)	
Lower leg length	360 - 530 mm
Knee angle	75° - 10°
Ankle angle	0 - 180°
Calf support width	50 mm
Calf support height	250 mm
Calf support depth	50 mm
Calf support angle (flexible)	0 - 25°
Headrest	
Headrest height (memory)	170 mm
Headrest depth	180 mm
Headrest vertical angle	-45° - 45°
Controller bracket	
Controller bracket height	60 mm
Controller bracket depth	35 mm
Controller bracket swing-away	
Controller bracket height	50 mm
Controller bracket depth	35 mm
Controller position angle	0 - 45°

7.3 Technical information Sedeo Pro

Seating system	
User weight	160 kg
Seat width	400 - 540 mm (option 520 - 680 mm)
Seat depth	440 - 600 mm
Point of gravity	95 mm
Seat	
Seat cushion depth position	-20 mm / 0 / +20mm
Backrest	
Backrest height	500 - 640 mm
Backrest angle	89 - 128°
Backrest recline (option)	89 - 128°
Armrest	
Armrest pad width	-20 / 0 mm per side
Armrest pad height	170 - 290 mm (option 270 - 390 mm)
Armrest depth	80 mm
Armrest pad angle	0-15°
Armrest pad depth	controller bracket side 50 mm, non controller bracket side 160 mm
Side support	
Side cushion height	65 mm
Central legrest	
Lower leg length	350 - 515 mm
Knee angle	30 - 110°
Ankle angle	+20° till -40°
Central calf support height (option)	120 mm
Manually elevating central legrest	
Lower leg length	385 - 550 mm
Knee angle	30 - 110°
Ankle angle	+20 till -40°
Central calf support height	120 mm
Width of the side support on central calf support	0 - 100 mm
Electrically elevating central legrest	
Lower leg length (with compressed seat cushion)	365 - 530 mm
Knee angle	94 - 170°
Max length compensation	180 mm
Ankle angle	+20 till -20°
Central calf support height	90 mm
Width calf supports	350 - 430 mm
Sedeo Original / Standard legrest (set)	
Lower leg length	360 - 530 mm
Knee angle	70°
Ankle angle	0 - 180°
Sedeo Original / Elevating and electrical elevating legrest (set)	
Lower leg length	360 - 540 mm
Knee angle	70° - 0°
Ankle angle	0 - 180°
Calf support height	120 mm
Headrest	
Headrest height (memory)	170 mm
Headrest depth	180 mm
Headrest vertical angle	-45° - 45°
Headrest width (option)	standard headrest -20 - 20 mm, width adjustable headrest -110 - 110 mm
Controller bracket	
Controller bracket height	60 mm
Controller bracket depth	35 mm
Controller bracket swing-away	
Controller bracket height	50 mm
Controller bracket depth	35 mm
Controller position angle	0 - 45°

Push bar	
Push bar height	920 - 1250 mm
Hemiplegia	
Hemiplegia armrest angle (option)	0 - 45°
Abduction support	
Abduction support height	60 - 120 mm
Abduction support depth	60 - 110 mm

8 Warranty

8.1 Definitions of terms

Definitions of terms used in this warranty:

- After sales service part: Part purchased after the initial product that is durable and may be subjected to natural wear and tear or natural contamination during normal operation within the lifetime of the product.;
- Consumable part: Part that is subjected to natural wear and tear or natural contamination during normal operation within the lifetime of the product (section 9 of Sunrise Medical HCM's general terms and conditions of sale);
- Client: Those who purchase the product directly from Sunrise Medical HCM;
- Corrective action: Repair, replace or refund of the product;
- Dealer: Those who re-sell the product to the User;
- Defect: Any circumstance due to which the product is not sound or fit to use, caused by a lack of quality of the material used to manufacture the product as well as the quality of the manufacturing process;
- Option: An accessory delivered with the initial product by Sunrise Medical HCM to extend the standard product model;
- Product: Product that is delivered according to brochure or contract (e.g. wheelchair, scooter, battery-charger etc.);
- Part: Part of product that can be exchanged or replaced. This can be an option, accessory, service part or consumable part;
- Returns: Product or part that needs to be returned;
- RMA-process: Process to return goods, contact Sunrise Medical HCM's Customer service;
- User: Those who use the product;
- Warranty: The rights and obligations set forth in this document;
- Warranty period: The period of time during which the warranty is valid;
- Warranty provider: Sunrise Medical HCM B.V., Vossenbeemd 104, 5705 CL Helmond, The Netherlands.

Notwithstanding the rights and obligations of Sunrise Medical HCM, Client and User set forth in Sunrise Medical HCM's general terms and conditions of sale, the rights of the Client and/or User towards Sunrise Medical HCM in case of defects are limited to the provisions set forth in this warranty. For the duration of the warranty period Sunrise Medical HCM guarantees that the product is without defects.

In case of any defects the User is required –within two weeks after discovery of the defect- to contact the dealer. He has to complete a return form and return the product or part via the RMA-process. Sunrise Medical HCM will, at its sole discretion, take the corrective action it seems fit under the given circumstances within a reasonable period of time (depends on nature of claim) from receipt of the completed return form. The warranty period will not be extended after a corrective action.

8.2 Warranty period table

Seating

Description	Warranty period	Examples include, but are not limited to the parts mentioned below
Frame	2 years	Weldment/frame
Electronics	1 year	Electronic components
After sales service parts	New: 1 year after invoice Repaired: 90 days after invoice	Metal parts
Consumable parts	40 days after invoice	Upholstery etc.
Options/Accessories	2 years	Lap strap, bag brackets etc. Delivered with the initial product

Sunrise Medical HCM will only accept shipment costs and corrective costs related to warranty on equipment during the warranty period.

This warranty will void in case of:

- The product and/or its parts being modified;
- Changes in cosmetic appearance by use;
- Failure to observe the instructions for use and maintenance, use other than normal use, wear and tear, negligence, collateral damage by neglect of earlier symptoms, overloading, third-party accidents, non-original parts used and defects not caused by the product;
- Circumstances beyond our control (food, fire, etc.).

This warranty does not cover:

- Tyres and inner tubes
- Batteries (covered by the battery manufacturer's warranty).

Clients and/or Users have legal (statutory) rights under applicable national laws relating to the sale of consumer products. This warranty does not affect statutory rights you may have nor those rights that cannot be excluded or limited, nor rights against the entity from whom the product was purchased. Clients may assert any rights they have at their sole discretion.

Version	Page	Draw	Changes
2011 V1			
2012 V1	46 95	22	Changed the description of article numbers 1010904 till 1010909 Changed the specification of the push bar height
2012 V2	3 18 24 32/38/40 41 42-47 - 50 51 54 57 58 - - - 87 93	- 07 12 14-16 17 18-20 - 23 24 27 30 31 - - - 5.3.12 -	Added spare part drawing numbers in table of contents Changed the description of article numbers 1010904, 1010905, 1010908 and 1010909 Added position 25, article number 1015133: Clamp nut profiles (10 pieces) Added article numbers: 1015093, 1015091 and 00004.0291 Added exploded view and spare part list Sedeo Original mounting bracket for legrests Replaced exploded view and spare part list Sedeo Pro standard legrest, comfort legrest and electrical comfort legrest by Sedeo Original legrest versions Deleted exploded view and spare part list Sedeo Pro comfort central legrest Changed the description of article numbers 1010904 till 1010909 Added article number: 1012273 Deleted exploded view and spare part list Sedeo Pro amputation support Changed article numbers worktops: 02305.011 into 1015155, 02304.0011 into 1015160, 253.00001.000 into 1015170, 1009925 into 1015159, 1009917 into 1015163 and 9006257 into 1015157 Changed article numbers worktops: 05301.0011 into 1015167, 1005417 into 1015168, 05302.0011 into 1015169, 253.00001.000 into 1015170, 1009919 into 1015162, 1009921 into 1015164, 1009923 into 1015165 and 9006257 into 1015157 Deleted service instruction Mounting the heel strap Deleted service instruction Mounting the knee pad Deleted service instruction Mounting and adjusting the gas spring of the elevating legrest Added note: 'Adjust mirror bracket when charger plug not in reach' Updated the legrest specifications according the Sedeo Original legrests
2012 V3	11-58 24 42-47 49 50 52 54 59 60 84 96 96	1-31 12 18-20 22 23 25 27 32 33 5.3.8 96	Added missing article numbers according Torx and Ejot screw Added position 47 and 48 in drawing Added article number 9006539 Added exploded view and spare part list number 22 Sedeo Pro Manually elevating central legrest Added article numbers 1015420 and 1015421 Flip up armrest lever right and left Added article numbers 1015351, 1015352, 1015353, 1015354, 1015403 and 1010955 Added article numbers 1015404, 1015442 and 1015443 Added article number 1015455 Worktop with center remote recess for R-net Added exploded view and spare part list number 33 Sedeo Pro Third party backrest Added service instruction 'mounting the manually elevating central legrest' Changed / added specifications manually elevating central legrest Changed specification minimum seat depth Sedeo Pro 420 into 440 mm
2013 V1	21 22 24 33 44 46 52 52 54 57 58-59 93	10 11 12 15 19 20 25 25 27 30 31-32 5.3.14	<ul style="list-style-type: none"> Changed description and article number position 3 and 6 1015339 Torx countersunk socket head screw M6x12 iso 10642 (100 pieces) into 1015331 Torx socket head screw M6x10 iso 14579 (100 pieces) Changed description and article number position 8 and 9 1015339 Torx countersunk socket head screw M6x12 iso 10642 (100 pieces) into 1015332 Torx socket head screw M6x12 iso 14579 (100 pieces) Changed position 2 (1015336), deleted position 3 and updated the exploded view <ul style="list-style-type: none"> Adapted exploded view because of changes in the armrest holder Changed article numbers of the electronics box mounting set and adapted exploded view Changed position numbers with article number 1010979, added position 16 and adapted exploded view because of changes in mounting of the backrest plate Changed article number 906.00000.031 and 906.00311.000 into 1004189 and 1004188 Changed article number 906.00000.031 and 906.00311.000 into 1004189 and 1004188 Changed position with article number 1015352: 6,11 into 4-7,11 Changed position with article number 1015354: 1,4,6,11 into 1,4-7,11 Changed description article numbers 1015442 and 1015443 Lighting bracket front right/left into Lighting bracket rear right/left Added article number 00000.4031, 1010192, 00000.4041, 00000.4032, 00000.2003, 00000.1702 and updated exploded view Added article number 1015664 Added table with service instruction 'mounting the positioning belt'

Version	Page	Draw	Changes
2013 V2	21	10	<ul style="list-style-type: none"> Deleted position 9 (was same article as position 8) and changed quantity 4 into 6 Updated exploded view
	24	12	<ul style="list-style-type: none"> Added article number 9007575 (position 17) Added article number 9003096 (position 49) Position 41 was mentioned twice in the part list: enclosed in article number 1012271 and for article number 9004359. Changed the position number enclosed in article number 1012271 into 50. Added article number 9003099 (position 51) Added article number 9003100 (position 52) Updated exploded view
	29-30	14	Added TR in description Seat cushion support TR with memory foam (article number 1011763 - 1011774, 9005007 - 9005018, 1011697 - 1011707, 1011750, 9004995 - 9005006 and 9005551 - 9005562)
	30-31	14	<ul style="list-style-type: none"> Added article numbers 9008325 - 9008336 (Form seat, Stretch rubber) Added article numbers 9008138 - 9008149 (Cover form seat, Stretch rubber)
	32-33	14	<ul style="list-style-type: none"> Added article numbers 9008469 - 9008477 (New sizes Seat cushion f uid, Stretch rubber) Added article numbers 9008451 - 9008459 (New sizes Cover seat cushion f uid, Stretch rubber) Added article numbers 9008478 - 9008486 (New sizes Seat cushion f uid, Comfort) Added article numbers 9008433 - 9008441 (New sizes Cover seat cushion f uid, Comfort) Added article numbers 9008442 - 9008450 (New sizes Top cover seat cushion f uid, Comfort)
	33-34	14	<ul style="list-style-type: none"> Added article numbers 9008393 - 9008401 (New sizes Seat cushion air, Stretch rubber) Added article numbers 9008284 - 9008292 (New sizes Cover seat cushion air, Stretch rubber) Added article numbers 9008402 - 9008410 (New sizes Seat cushion air, Comfort) Added article numbers 9008298 - 9008306 (New sizes Cover seat cushion air, Comfort) Added article numbers 9008307 - 9008315 (New sizes Top cover seat cushion air, Comfort)
	34-35	14	<ul style="list-style-type: none"> Added 5 cm in description Seat cushion pan 5 cm, Stretch rubber (article number 1014300, 1011863, 1011928 - 1011930 and 1011932 - 1011938) Added article numbers 9008369 - 9008380 (Seat cushion pan 7,5 cm, Stretch rubber) Added article numbers 9008381 - 9008392 (Seat cushion pan 10 cm, Stretch rubber) Added article number 9007089 (rear pan)
	43-44	16	<ul style="list-style-type: none"> Added article numbers 9008341 - 9008344 (Backrest f exible with adjustable straps active height 44, Stretch rubber) Added article numbers 9008062 - 9008065 (Cover backrest f exible with adjustable straps active height 44, Stretch rubber) Added article numbers 9008337 - 9008340 (Backrest f exible with adjustable straps active height 44, Comfort) Added article numbers 9008054 - 9008057 (Cover backrest f exible with adjustable straps active height 44, Comfort) Added article numbers 9008058 - 9008061 (Top cover backrest f exible with adjustable straps active height 44, Comfort)
	44-45	16	<ul style="list-style-type: none"> Added article numbers 9008357 - 9008368 (Extra deep backrest f exible with adjustable straps active, Stretch rubber) Added article numbers 9008114 - 9008125 (Cover extra deep backrest f exible with adjustable straps active, Stretch rubber) Added article numbers 9008345 - 9008356 (Extra deep backrest f exible with adjustable straps active, Comfort) Added article numbers 9008090 - 9008101 (Cover extra deep backrest f exible with adjustable straps active, Comfort) Added article numbers 9008102 - 9008113 (Topcover extra deep backrest f exible with adjustable straps active, Comfort)
	46	17	Changed article number 055.00064.000 into 9002923
	47	18	Added article number 01273.9110 (canvas heel support)
	49	19	Changed articel numbers 1503.8200 and 1503.8300 into 01503.8200 and 01503.8300
	56	24	Deleted article numbers 1015420 and 1015421 Flip up armrest lever right and left (20a and b) and added article number 9007777 Flip up armrest lever (position 20) and updated exploded view
	57	25	Changed quantity 4 into 2 of article number 1015332
	63	31	Added bolt in drawing of thigh support mounting bracket
	92	5.3.9	Added service instruction: 'Replacing the f ip up armrest hinge'

Version	Page	Draw	Changes
2014 V1	12	01	<ul style="list-style-type: none"> • Changed position numbers article number 1012920 into 1-7 • Added position 1-3 to the drawing • Added article numbers 1016173 till 1016180
	13 + 26	02 + 14	Changed description article number 1015346
	18	07	<ul style="list-style-type: none"> • Changed pos number article number 1010911: 3-10 into 3,10 • Added article numbers 1016191 and 1016181
	19	08	Added article number 1016182
	21	10	Added article number 1016517 (position 19) and updated drawing
	24	12	<ul style="list-style-type: none"> • Added position 1-3 to the drawing • Changed quantity article number 1010880: 2 into 1 • Changed position number 43 (head screw 55) into 43a and 43b (50 and 60) • Added article numbers 1016183 till 1016185 and 1016192 till 1016194
	37	15	<ul style="list-style-type: none"> • Changed positions number of article number 1010978 • Added article numbers 1016549 and 1016550
	37 + 43	15 + 16	Changed description article number 1015344
	43	16	Changed Qty of article number 1010986 from 2 into 1
	43 + 59	16 + 26	Updated drawing with new mounting of the headrest bracket
	48	18	Added drawing and spare part list Mounting bracket for heavy duty legrests
	55	22	Added drawing and spare part list Standard heavy duty legrest
	56	23	Added drawing and spare part list Comfort heavy duty legrest
	57	24	<ul style="list-style-type: none"> • Added article number 1016446 Standard central legrest mounting bracket (position 16-18) • Added position numbers 16-18 to article numbers 1011156 and 1011157 • Updated drawing
	58	25	<ul style="list-style-type: none"> • Added article number 1016447 Manually elevating central legrest mounting bracket (position 18-20) • Added position numbers 18-20 to article numbers 1011158 and 1011159 • Updated drawing
	59	26	<ul style="list-style-type: none"> • Changed position numbers article numbers 1010906, 1010908 and 1010909 • Added article numbers 1016186 till 1016188 • Added article numbers 1016558 and 1016559
	60	27	Added article number 1016189
	63	30	<ul style="list-style-type: none"> • Deleted article number 1015343 (position 7) and added article number 1010192 and 00000.4032 (position 7a and 7b) • Added article number 1016517 (position 20) • Updated drawing
	64	31	<ul style="list-style-type: none"> • Deleted article number 1015343 (position 8) and added article number 1010192 and 00000.4032 (position 8a and 8b) • Added article number 1016517 (position 21) • Updated drawing
	67	34	<ul style="list-style-type: none"> • Deleted position 10-13 (Allen bolts) and added position 10a and 10b (updated rest of numbering where these screws are part of) • Changed quantity position 10-12 • Added position 10-12 to article number 1012268 • Added position 13: article number 1016560 • Updated drawing
	71	5.1	Added how to disinfect the chair
	96	5.9.3	Tools used: changed Torx 30 into 25
	98	5.11	<ul style="list-style-type: none"> • Relevant article number: added socket head screw • Tools used: added allen key • Updated drawing 4
	105 + 106	5.15 + 5.16	<ul style="list-style-type: none"> • Relevant article number: added socket head screw • Tools used: added allen key • Updated drawing 2
2015V1	12	1	Added 'Precote 85' to description article numbers 1015330, 1015331 and 1015333
	13	2	• Changed description several article numbers: SD 40 into 39 cm and 46 into 45 cm
	16	5	<ul style="list-style-type: none"> • Deleted '100 pieces' in description position 6 • Switched description position 6 and 7 • Added 'Precote 85' to description article number 1015336
	18	7	Added 'Precote 85' to description article numbers 1015331 (2x) and 1015340
	20	9	Added 'Precote 85' to description article numbers 1015330 and 1015331
	21	10	Added 'Precote 85' to description article numbers 1015331 (2x), 1015332 and 1015336

Version	Page	Draw	Changes
2015 V1	22	11	<ul style="list-style-type: none"> • Changed article numbers 9006354 and 9006355 into 1010991 and 1010992 • Updated drawing positioning belt
	24	12	<ul style="list-style-type: none"> • Corrected position numbers of article numbers 1016184, 1016185, 1016193, 1016194 • Added article number 1016687 and 9005583 • Added 'Precote 85' to description article numbers 1015330, 1015331, 1015332 and 1015333 (2x) • Deleted article numbers for 'Socket head screw M8x50 DIN912' and 'Socket head screw M8x60 DIN912'
	26	13	Added 'Precote 85' to description article number 1015340
	27	14	<ul style="list-style-type: none"> • Changed description article number 1015346 into Torx socket head screw M5x16 T30 (100 pieces) • Added article numbers 1017175 - 1017185 • Added article numbers 9008228 - 9008231, 9008260 - 9008263 and 9008268 - 9008271 • Changed description article number 9007089 into Rear pan 5 cm for pan seat • Added article number 9008274
	37	15	<ul style="list-style-type: none"> • Added article number 1010881 Clamp nut (10 pieces) • Added article numbers 1017167 - 1017174 • Added 'Precote 85' to description article numbers 1015330 and 1015332 • Changed description article number 1015344
	43	16	<ul style="list-style-type: none"> • Added 'Precote 85' to description article number 1015330 • Changed description article number 1015344
	48	18	Updated drawing
	49	19	<ul style="list-style-type: none"> • Added article numbers 220.00121.505, 220.00141.505 and 00000.3206 • Added article number 1002599 Legrest inner extrusion 10 cm extended • Updated position numbers and drawing
	51	20	<ul style="list-style-type: none"> • Added article numbers 220.00121.505, 220.00141.505 and 00000.3206 • Added article number 1002599 Legrest inner extrusion 10 cm extended • Updated position numbers and drawing
	53	21	<ul style="list-style-type: none"> • Added article numbers 220.00121.505, 220.00141.505 and 00000.3206 • Added article number 1002599 Legrest inner extrusion 10 cm extended • Updated position numbers and drawing
	55	22	Added article number 15402
	56	23	Added article number 15402
	57	24	Added 'Precote 85' to description article numbers 1015330 (2x) and 10105332
	58	25	<ul style="list-style-type: none"> • Added article number 1017019 • Updated position numbers of article numbers 1010944, 1011158 and 1011159 • Added 'Precote 85' to description article numbers 1015330 (2x) and 10105332
	59	26	<ul style="list-style-type: none"> • Changed description article numbers 1010976 and 1010975; added 10 cm • Added article number 1010881 Clamp nut (10 pieces) • Added 'Precote 85' to description article numbers 1015331, 1015332 and 10105340
	60	27	<ul style="list-style-type: none"> • Added article number 1010881 Clamp nut (10 pieces) • Added 'Precote 85' to description article numbers 1015331, 1015332 and 10105340
	61	28	<ul style="list-style-type: none"> • Added 'Precote 85' to description article number 1015332 • Changed sort order article numbers • Deleted article numbers 1015351 and 1015353 • Added article numbers 1017703 - 1017705 and 1015333
	62	29	<ul style="list-style-type: none"> • Added article number 1010881 Clamp nut (10 pieces) • Added 'Precote 85' to description article numbers 1015330 and 1015331
	63	30	<ul style="list-style-type: none"> • Added article number 1010881 Clamp nut (10 pieces) • Added 'Precote 85' to description article numbers 1015330 and 1015331 • Deleted article numbers for 'Socket head screw M8x50 DIN912' and 'Socket head screw M8x60 DIN912'
	64	31	<ul style="list-style-type: none"> • Added article number 1016640 Lighting bracket front on seat frame • Added article number 1015133 Clamp nut (10 pieces) • Added 'Precote 85' to description article numbers 1015330 and 1015331 (2x) • Deleted article numbers for 'Socket head screw M8x50 DIN912' and 'Socket head screw M8x60 DIN912'
	66	33	<ul style="list-style-type: none"> • Added article numbers 1017014 and 1017015 and updated drawing • Added article number 1010881 Clamp nut (10 pieces) • Added 'Precote 85' to description article numbers 1015330, 1015331, 1015332 and 1015333

Version	Page	Draw	Changes
	67	34	<ul style="list-style-type: none"> Updated drawing positioning belt Added article number 1010881 Clamp nut (10 pieces) Added 'Precote 85' to description article numbers 1015331 (2x) and 1015332 Deleted article numbers for 'Socket head screw M8x50 DIN912' and 'Socket head screw M8x60 DIN912'
	68	35	Added article number 1015171 Receiving tube for hemi worktop
	69	36	Added article number 1015171 Receiving tube for hemi worktop
	80	5.2.5	<ul style="list-style-type: none"> Changed article numbers 9006354 and 9006355 into 1010991 and 1010992 Deleted article numbers for 'Socket head screw M8x50 DIN912' and 'Socket head screw M8x60 DIN912'; no spare part numbers
	95	5.3.8	Added how to adjust the level of friction of the footplate
	99	5.3.11	Deleted article numbers for 'Socket head screw M8x50 DIN912' and 'Socket head screw M8x60 DIN912', no spare part numbers
	105	5.3.15	Deleted article numbers for 'Socket head screw M8x50 DIN912' and 'Socket head screw M8x60 DIN912', no spare part numbers
	106	5.3.16	<ul style="list-style-type: none"> Deleted article numbers for 'Socket head screw M8x50 DIN912' and 'Socket head screw M8x60 DIN912', no spare part numbers Updated the service instruction 'Mounting the cane holder'
	110		Added specification Armrest pad angle
	112		Updated warranty text
2015 V2	14	1	Changed article number 1015337 into 1015338
	21	8	Updated drawing with headrest metal part with 3 hinges
	22	9	Updated exploded view drawing (screw on swing-away remote holder)
	23	10	Updated article numbers and drawing new lighting; <ul style="list-style-type: none"> Added article numbers 6002661, 6000038, 6000056 and 6000039 Deleted article number 1012958 Changed description article number 1012957, 1012959, 1012960 and 1016517
	26	12	<ul style="list-style-type: none"> Changed position number 15 and 16 into 15a and 16a for article number 1016184, 1016193, 1016185, 1016194, 1010964, 1011160, 1010965, 1011161 Changed position number 15 and 16 into 15b and 16b for article number 1016183, 1016192, 1010874, 1010879 Added article numbers 1017875, 1017876, 1017910, 1017911 and 9010335 Updated drawing position number 5, 7, 15, 16, 49, 57 and 58
	28	13	Added article number 9004109 and updated drawing
	29-38	14	<ul style="list-style-type: none"> Deleted article numbers 1011723-1011725, 9004963-9004965, 9005578-9005580, 9008298-9008315 and 9008402-9008410 Changed description article numbers 1011790-1011792, 9008393-9008401 Seat cushion air into Air Contour seat ROHO® Changed article numbers 9004966-9004968, 9008284-9008292 into 1017330, 1017332, 1017333, 1017338, 1017340, 1017341, 1017346, 1017348, 1017349, 1017354, 1017356 and 1017357 (cover seat cushion air became cover air Contour seat ROHO®) Changed description article numbers 1014300, 1011863, 1011928 - 1011930, 1011932 - 1011963 and 9008369 - 9008392 Stretch rubber into Sellaskin
	39-43	15	Deleted article numbers 1012156-1012163, 1012188-1012195, 1012212-1012219, 1012244-1012251, 9005317-9005324, 9005365-9005372, 9005389-9005396, 9005437-9005444 9005461- 9005468 and 9005507-9005514
	49	19	Added article numbers 1005119 and 1005160
	51	20	Added article numbers 1005119 and 1005160
	53	21	Added article numbers 1005119, 1005160 and 9001233
	54	22	Changed article number 14013 into 1008816
	56	24	<ul style="list-style-type: none"> Added article numbers 1016775, 1016776 and 9010234 Updated drawing
	57	25	<ul style="list-style-type: none"> Added article numbers 1016775, 1016776 and 9010234 Updated drawing
	58-59	26	Added Electrically elevating central legrest drawing and part list
	62	29	<ul style="list-style-type: none"> Added article number 1017947 Deleted article number 1012273 and 1010956 Updated drawing
	63	30	Updated Joystick bracket drawing (screw on swing-away remote holder)
	64	31	Updated article numbers and drawing new lighting; <ul style="list-style-type: none"> Added article numbers 6002661, 6000038, 6000056 and 6000039 Deleted article number 1010960, 1015404, 1010962, 1015442 and 1015443 Changed description article number 1010959, 1010961 and 1016517

Version	Page	Draw	Changes
	65	32	Updated article numbers and drawing new lighting; <ul style="list-style-type: none"> • Added article numbers 6002661, 6000038, 1018044, 6000056 and 6000039 • Deleted article number 1015811, 1010962, 1015442 and 1015443 • Changed description article number 1015810, 1016640, 1010961 and 1016517
	78	5.2.3	Updated drawings (screw on swing-away remote holder)
	79	5.2.4	Updated all changed article numbers, descriptions and drawings in the service instructions
	95	5.3.8	Added article numbers 1011156 and 1011157
	97	5.3.9	Added service instruction 'Mounting the electrically elevating central legrest'
	101	5.3.11	Updated drawings (screw on swing-away remote holder)
	102	5.3.12	Updated changed article numbers, descriptions and drawings
	106	5.3.15	Updated drawings (screw on swing-away remote holder)
2016 V1	-	-	Replaced Handicare by Sunrise Medical HCM
	20	9	Added article number 0001494
	24-25	12	<ul style="list-style-type: none"> • Changed article number 9007575 into 9010232 • Added article number 1018110
	42	16	<ul style="list-style-type: none"> • Changed article number 1012273 into 1017704 • Updated drawing
	53	21	Added pos number to article number 9001233
	58	26	Deleted article number 1016779
	59	27	<ul style="list-style-type: none"> • Changed article number 1010914 into 9004725 • Updated drawing
	60	28	Changed article number 1010914 into 9004725
	62	30	Added article number 0001494
	70	38	Added article number 1017907

Sunrise Medical HCM B.V.
Vossenbeemd 104
5705 CL Helmond
The Netherlands

T: +31 (0)492 593 888
F: +31 (0)492 537 931
customerservice@sunrisemedical.nl
www.SunriseMedical.eu

