



Swift

Spare Parts
Catalogue

STERLING

INNOVATE.
BUILD FOR THE FUTURE



This product is manufactured to comply with the Medical Device Directive 93/42/EEC.

Use of Illustrations & Text:

The illustrations and accompanying text set out in this document are the property of Sunrise Medical Limited and must not be copied or used for manufacturing, tendering or any other purpose without written consent from Sunrise Medical.

Ordering:

Item numbers shown as N/A are for reference purposes only and should not be used when ordering replacement parts. Always quote the correct serial number and part number.

Quality Management Systems:

Sunrise Medical Limited is accredited to ISO 9001: 2000, which is the internationally recognised standard for quality management systems, as well as ISO 13485: 2003, which specially governs Medical Devices. These approvals ensure that we provide quality in all areas of our business from development through to final delivery.

Parts Disclaimer:

It is potentially hazardous to fit or use any parts other than genuine Sunrise Medical parts. The company disclaims all liability for the consequences of such use, which in addition voids the product warranty.

This product is for the carriage of one person and must not under any circumstances be used for any other purpose.

Queries:

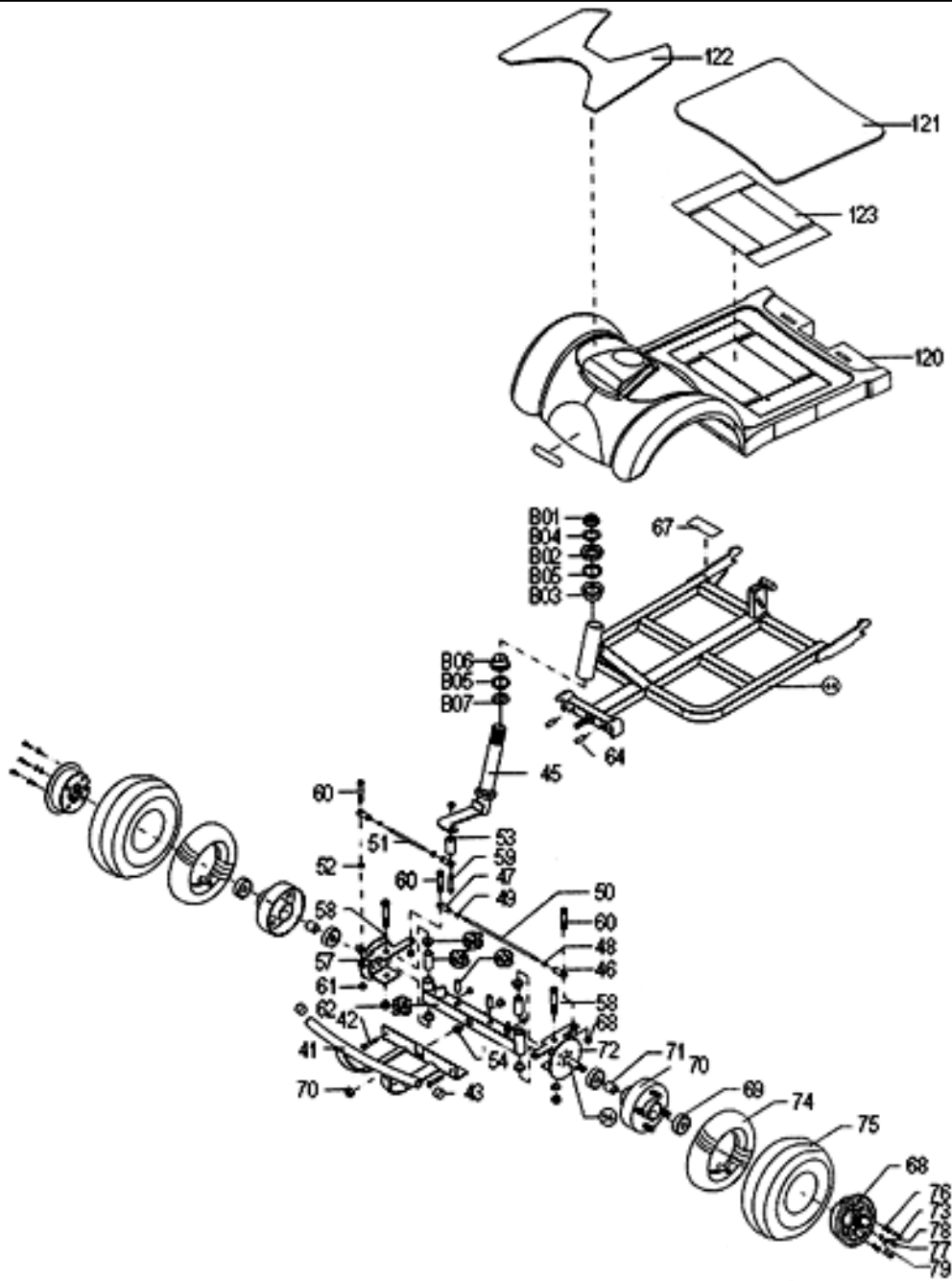
Should you have any queries then please contact Sunrise Medical Ltd on

Tel: +44 (0)1384 44 66 66

Fax: +44 (0)1384 44 66 11

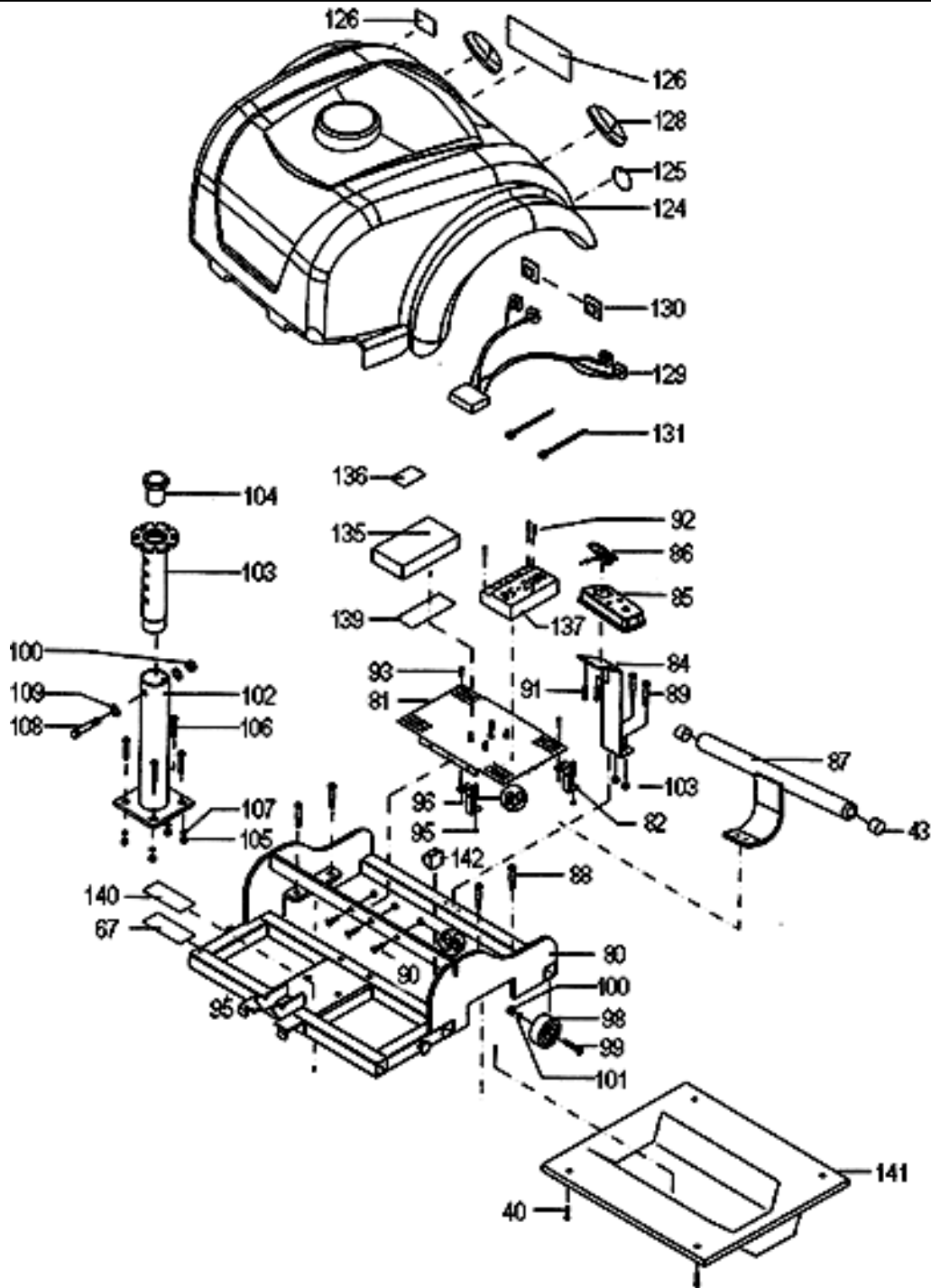
Linked copy of STERLING Swift	4
FRONT CHASSIS	4
SWIFT - FRONT CHASSIS.....	4
REAR PANELS.....	6
SWIFT - REAR PANEL ASSEMBLY.....	6
TILLER.....	8
SWIFT - TILLER ASSEMBLY	8
REAR DRIVE	10
SWIFT - REAR DRIVE.....	10
BATTERIES	12
SWIFT - BATTERIES.....	12
SEAT.....	14
SWIFT - SEAT ASSEMBLY	14
ACCESSORIES	16
SWIFT - ACCESSORIES.....	16

SWIFT - FRONT CHASSIS



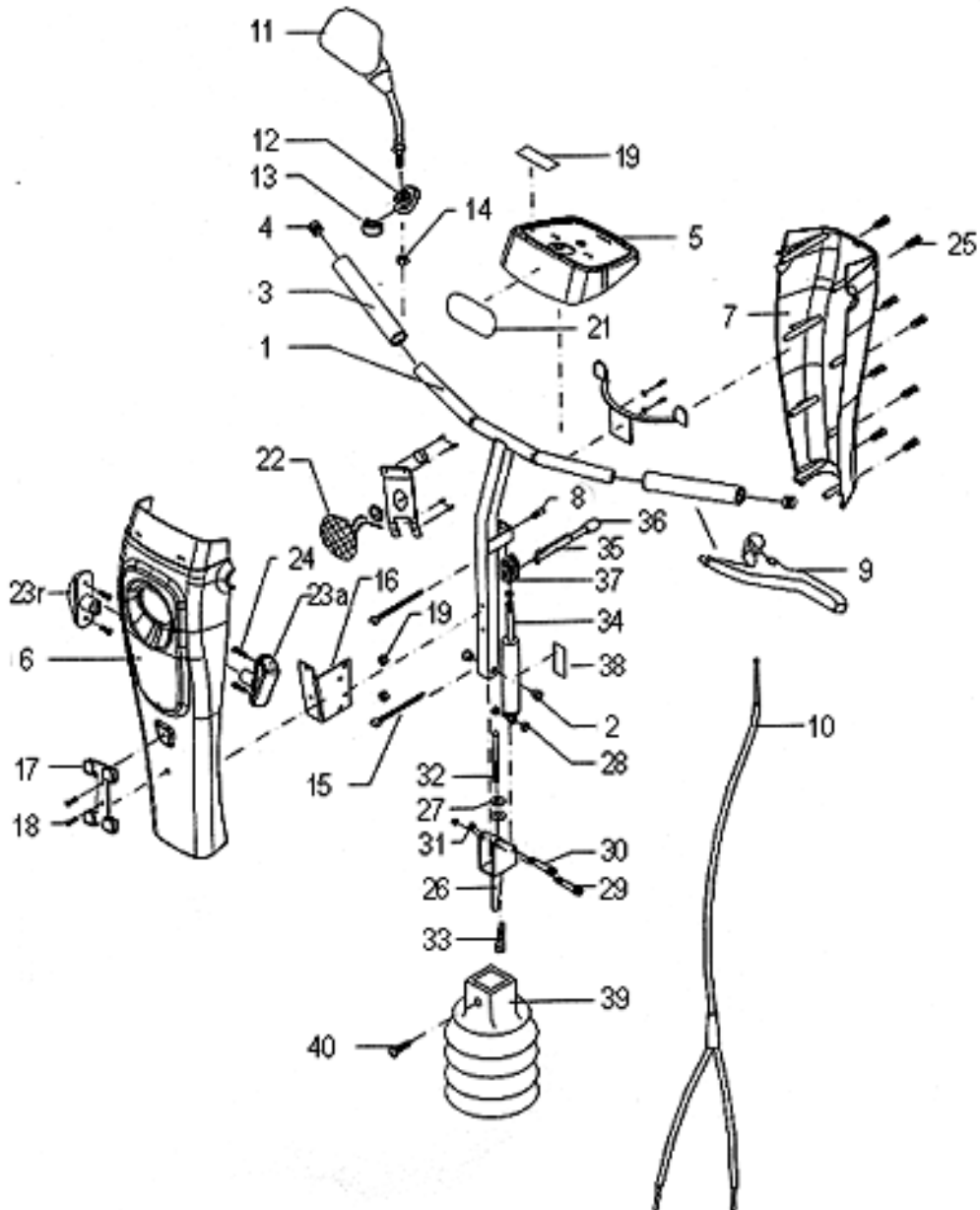
Pos.	Item Number	Description	Qty per Assy
120-123	533001.46402	Body Assy 4WL Red	1
120-123	533001.46402	Body Assy 4WL Blue	1
124	000934.46402	Footmat	1
41-43	709001.46401	Front Bumper	1
45	1MAH0071MO	Steering Stem	1
50	104001.46400	Tie Rod - Long	1
51	104001.46400	Tie Rod - Short	1
57	070641.46401	Brake Shoe	1
68, 70, 71, 73-79	801001.46400	Front Wheel Assy	1
72	070641.46400	Brake Shoe	1
74	000698.46400	Front Inner Tube	1
75	000703.46400	Front Tyre	1
B01-B07	000921.46400	Steering Bearing	1

SWIFT - REAR PANEL ASSEMBLY



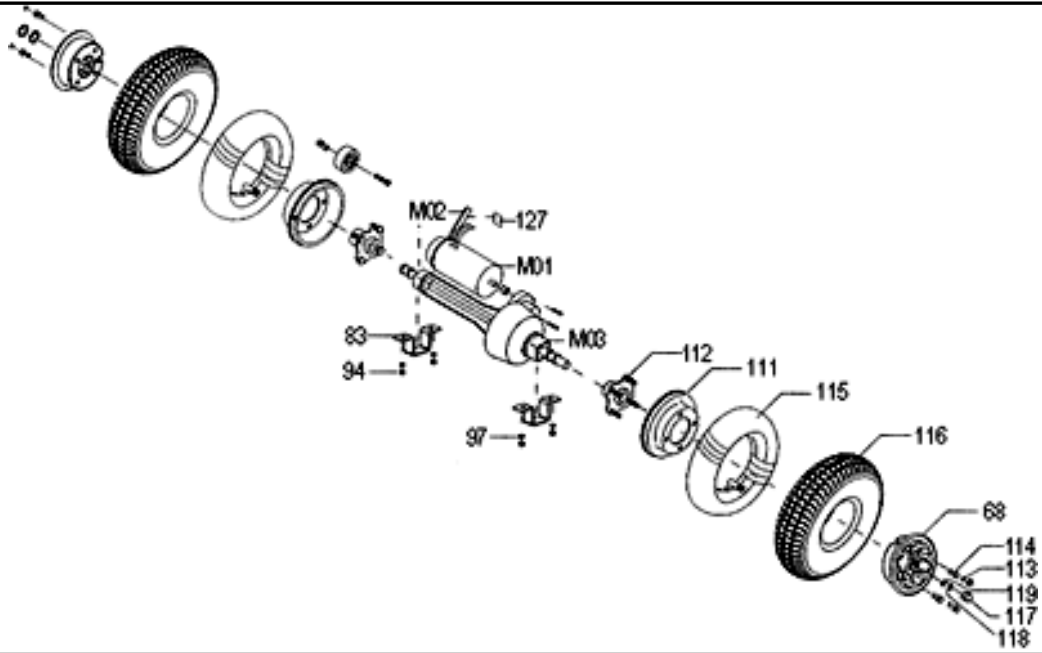
Pos.	Item Number	Description	Qty per Assy
124-131	533001.46404	Rear Panel Assy Red	1
124-131	533001.46405	Rear Panel Assy Blue	1
116	000703.46401	Rear Tyre	1
115	000698.46401	Rear Inner Tube	1
135	133001.46400	Charger	1
92, 137	172001.46400	Controller	1
129	000181.46402	Rear Light Bulb	1
128	000181.46400	Rear Lamp (pair)	1
43, 87	709001.46400	Rear Bumper	1

SWIFT - TILLER ASSEMBLY



Pos.	Item Number	Description	Qty per Assy
1-10, 15-40	292001.46400	Tiller Assy, Blue	1
1-10, 15-40	292001.46401	Tiller Assy, Red	1
5	172641.46401	Fascia Panel Assy	1
6, 7, 25	533001.46408	Tiller Panels, Blue	1
6, 7, 25	533001.46407	Tiller Panels, Red	1
10	070092.46400	Brake Cable	1
9	070415.46400	Hand Brake	1
138	181001.46400	Main Loom	1
22	000181.46401	Front Light	1
23a, 24	000181.46404	Indicator left	1
23b, 24	000181.46405	Indicator right	1
34	113001.46400	Cylinder	1
35, 36	000042.46400	Cylinder Adjuster + Cap	1
37	000536.46401	Bracket Lever	1
3, 4	000934.46400	Hand Grip	1
3, 4	000181.46403	Front Light Bulb	1
3, 4	193003.0208	Key	1
3, 4	000181.46406	Front Indicator Bulb	1
3, 4	193001.46400	Keyswitch	1
3, 4	000198.46400	Buzzer	1
3, 4	292641.46400	Speed Pot Assy	1

SWIFT - REAR DRIVE



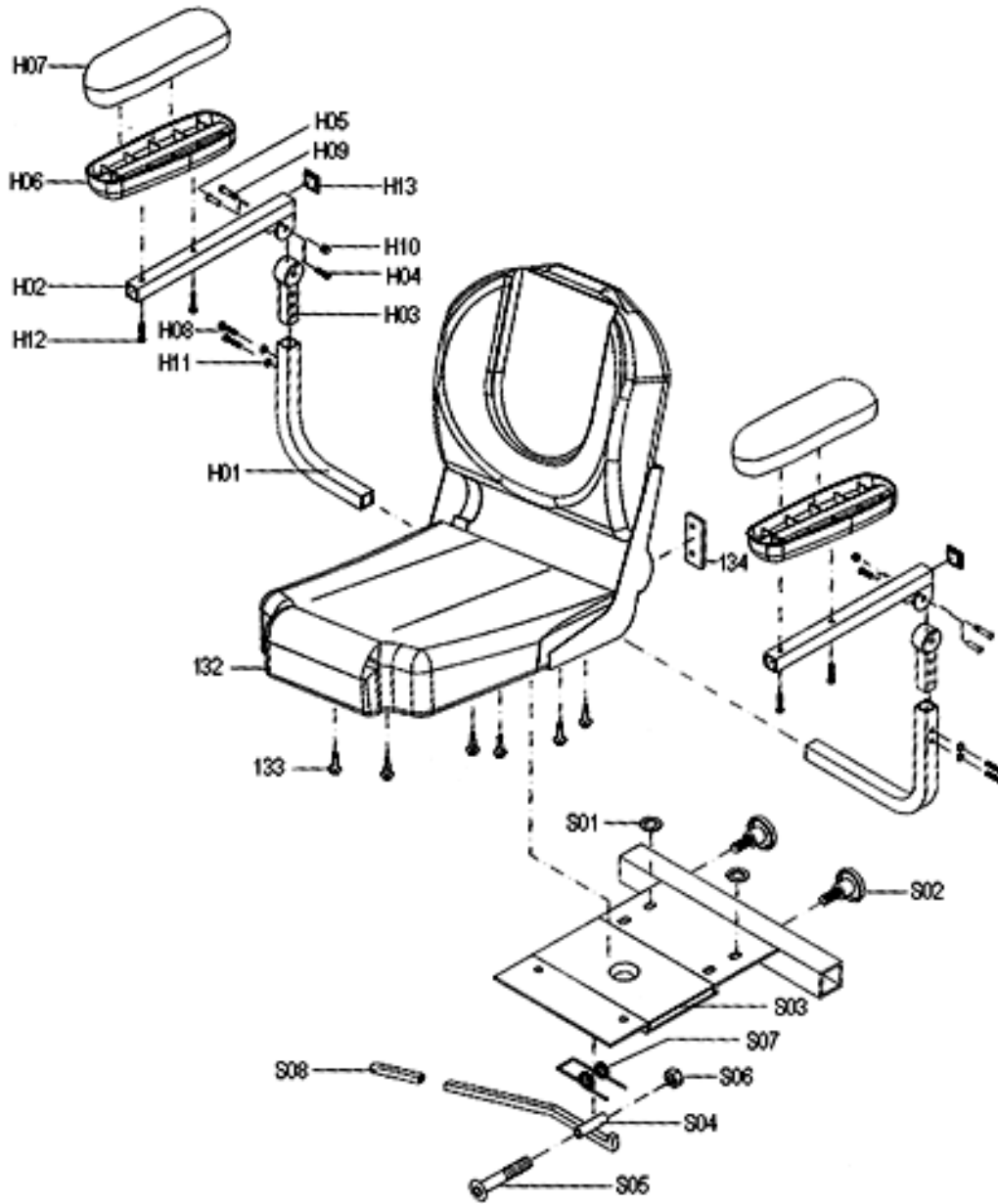
Pos.	Item Number	Description	Qty per Assy
68, 111- 114, 115- 119	801001.46401	Back Wheel Assy	1
MO1	182001.46400	Motor / Brake Assy	1
MO3	146001.46400	Transaxle	1

SWIFT - BATTERIES



Pos.	Item Number	Description	Qty per Assy
1	000172.46401	Battery 34 A/h	1
1	181001.46401	Battery Cable	1

SWIFT - SEAT ASSEMBLY



Pos.	Item Number	Description	Qty per Assy
132-134, S01-S08, H01-H13	641001.46400	Seat Assy	1
102-110	641001.46401	Seat Plate Assy	1
H01-H13	016001.46400	Armrest	1
H06-H07, H12	016001.46401	Armrest Pad Assy (pair)	1

SWIFT - ACCESSORIES

Pos.	Item Number	Description	Qty per Assy
	709641.46402	Rear Basket	1
	709641.46401	Crutch Holder	1
	709641.46401	Oxygen Tank Holder	1
	000945.46400	Mirror with Bracket	1
	000929.0007	All-Weather Protective Cover	1
	2MZE0050K0	Anti Tip Wheel Assy - Universal/ right or left handed	1

Notes:

STPS
Sunrise Training and Education Programmes
KNOWLEDGE FOR THE FUTURE



Sunrise Medical Ltd
High Street Wollaston
West Midlands DY8 4PS
England
Tel: 01384 44 66 66
Fax: 01384 44 66 11
sunmail@sunmed.co.uk
www.sunrisemedical.com