



Ruby

Spare Parts
Catalogue

STERLING

INNOVATE.
BUILD FOR THE FUTURE



This product is manufactured to comply with the Medical Device Directive 93/42/EEC.

Use of Illustrations & Text:

The illustrations and accompanying text set out in this document are the property of Sunrise Medical Limited and must not be copied or used for manufacturing, tendering or any other purpose without written consent from Sunrise Medical.

Ordering:

Item numbers shown as N/A are for reference purposes only and should not be used when ordering replacement parts. Always quote the correct serial number and part number.

Quality Management Systems:

Sunrise Medical Limited is accredited to ISO 9001: 2000, which is the internationally recognised standard for quality management systems, as well as ISO 13485: 2003, which specially governs Medical Devices. These approvals ensure that we provide quality in all areas of our business from development through to final delivery.

Parts Disclaimer:

It is potentially hazardous to fit or use any parts other than genuine Sunrise Medical parts. The company disclaims all liability for the consequences of such use, which in addition voids the product warranty.

This product is for the carriage of one person and must not under any circumstances be used for any other purpose.

Queries:

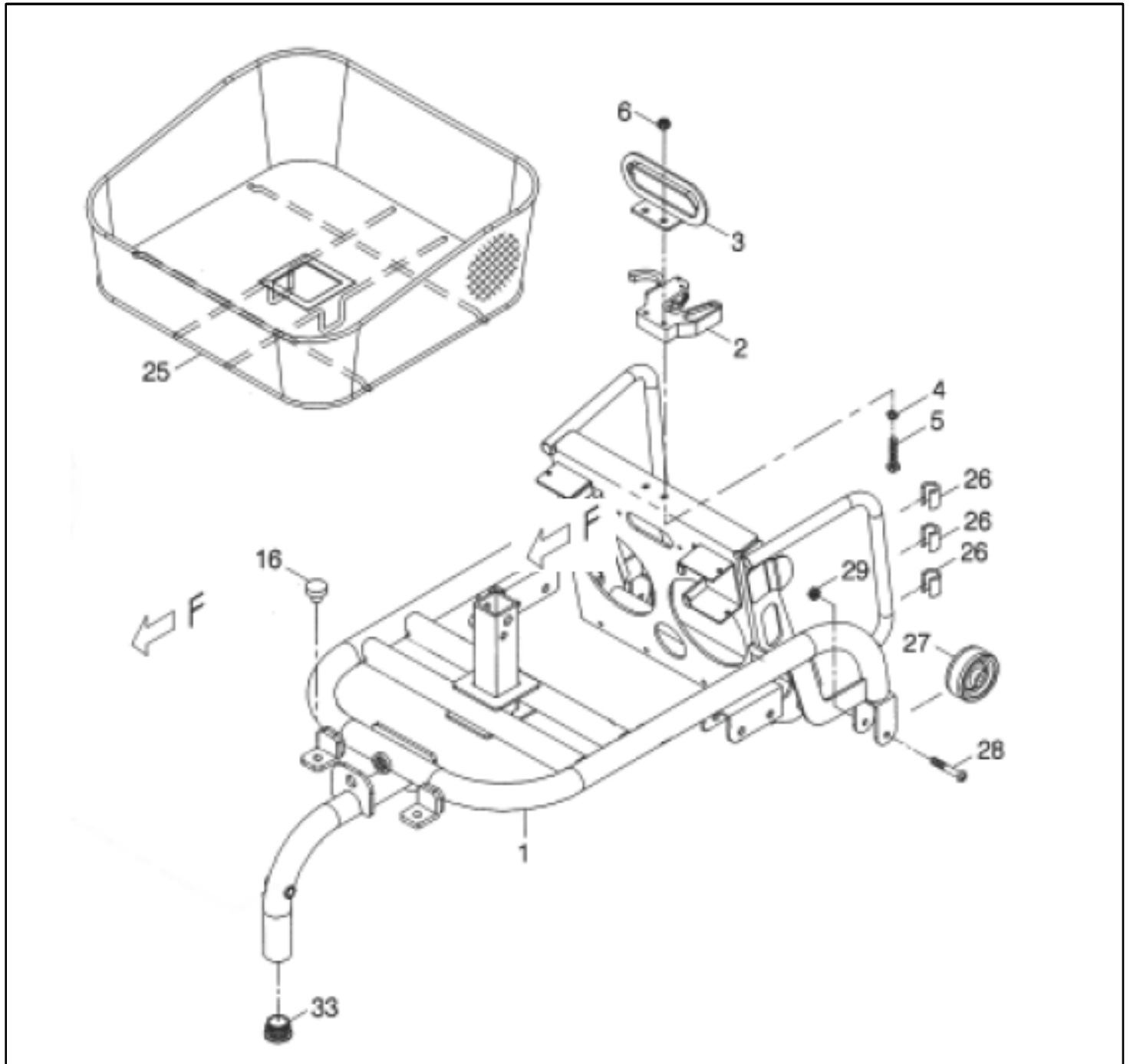
Should you have any queries then please contact Sunrise Medical Ltd on

Tel: +44 (0)1384 44 66 66

Fax: +44 (0)1384 44 66 11

STERLING Ruby.....	4
CHASSIS	4
RUBY - CHASSIS	4
CONTROLS	6
RUBY - CONTROL MOUNT	6
RUBY - CABLES.....	7
RUBY - BATTERIES.....	9
SEATING	11
RUBY - SEAT FIXING.....	11
RUBY - SEAT	12
RUBY - SEAT PLUS	14
RUBY - ARMRESTS.....	16
FOOTPLATE.....	17
RUBY - FOOT BOARD.....	17
DRIVE	18
RUBY - MOTORS AND FIXINGS	18
RUBY - MOTOR ASSEMBLY RH.....	19
RUBY - MOTOR ASSEMBLY LH.....	21
WHEELS.....	23
RUBY - CASTORS.....	23
RUBY - REAR WHEEL AND FIXING.....	25
RUBY - REAR WHEEL ASSEMBLY.....	26

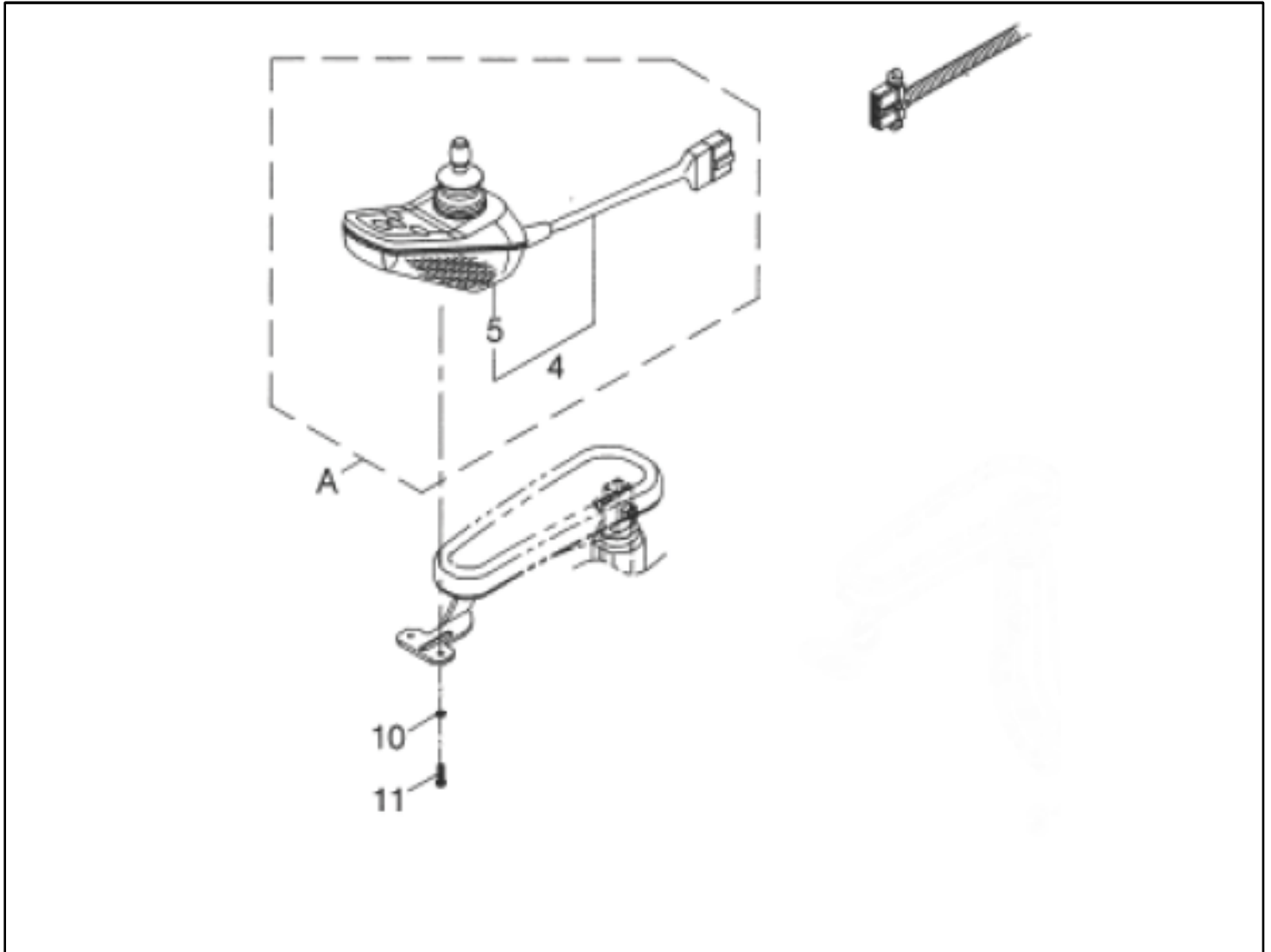
RUBY - CHASSIS



Pos.	Item number	Description	QTY
1	1321-00107-22-A3	FRONT CHASSIS	1
2	202913-77302-A2	BRACKET	1
3	N/A	HANDLE HOOK	1
4	5022-06010-210	SPRING WASHER	2
5	N/A	HEX CAP SCREW	2
6	5012-06010-200	SELF-LOCK NUT	2

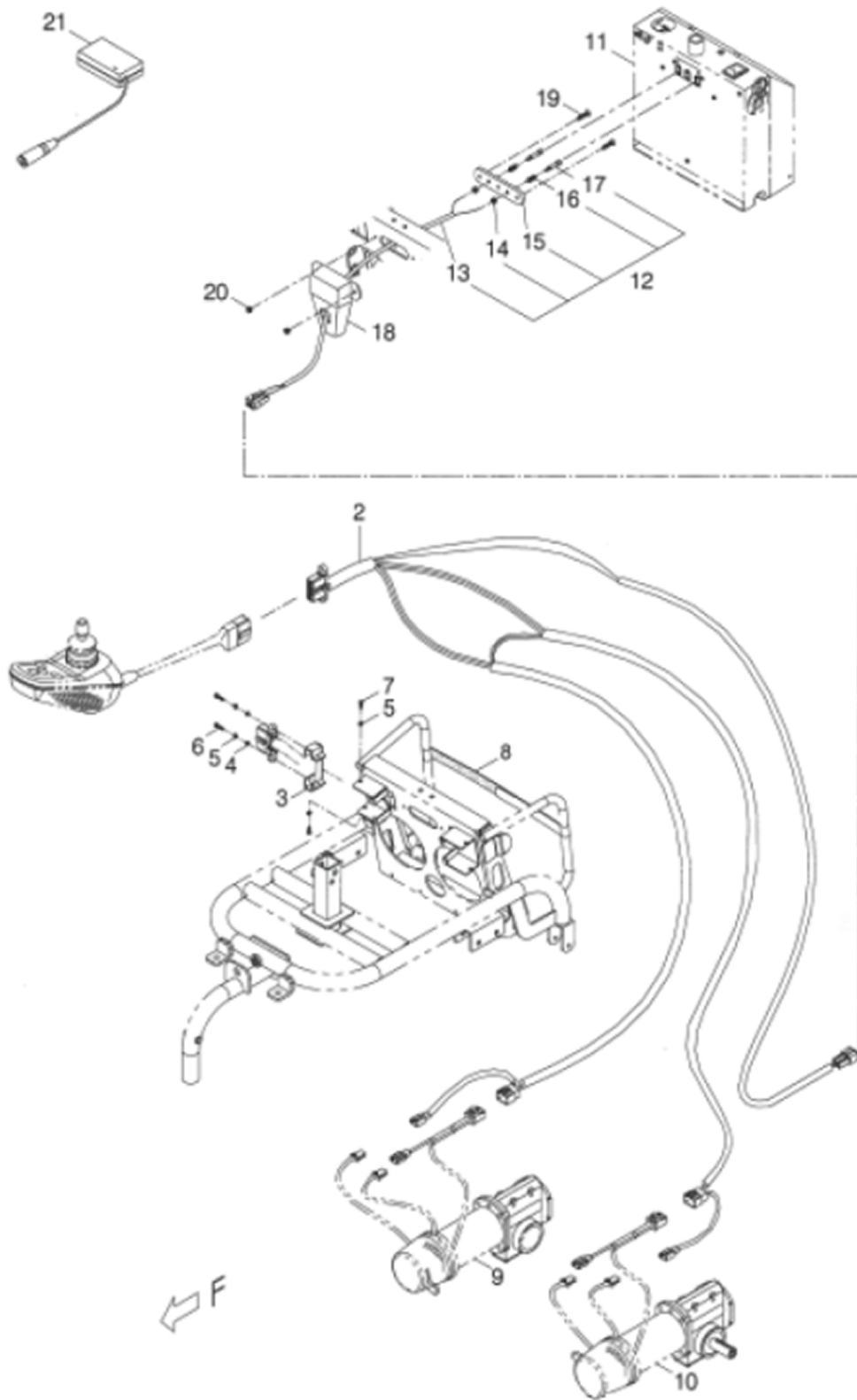
Pos.	Item number	Description	QTY
16	209915-00101	RUBBER	1
25	209916-88103	BASKET	1
26	209932-77300	RUBBER COVER	6
27	209928-89300	ANTI-TIP WHEEL	2
28	5005-06038-710	SCREW	2
29	5012-06010-701	NYLON LOCK NUT	2
33	N/A	BALL BUTTON	1

RUBY - CONTROL MOUNT



Pos.	Item number	Description	QTY
4	1361-00300-00	MAIN CONTROL & LOOM	1
5	1361-00110-00	MAIN CONTROL	1
10	5022-05008-210	SPRING WASHER	2
11	5005-05020-710	SCREW	2
A	1361-00210-00	MAIN CONTROL ASSEMBLY	1

RUBY - CABLES

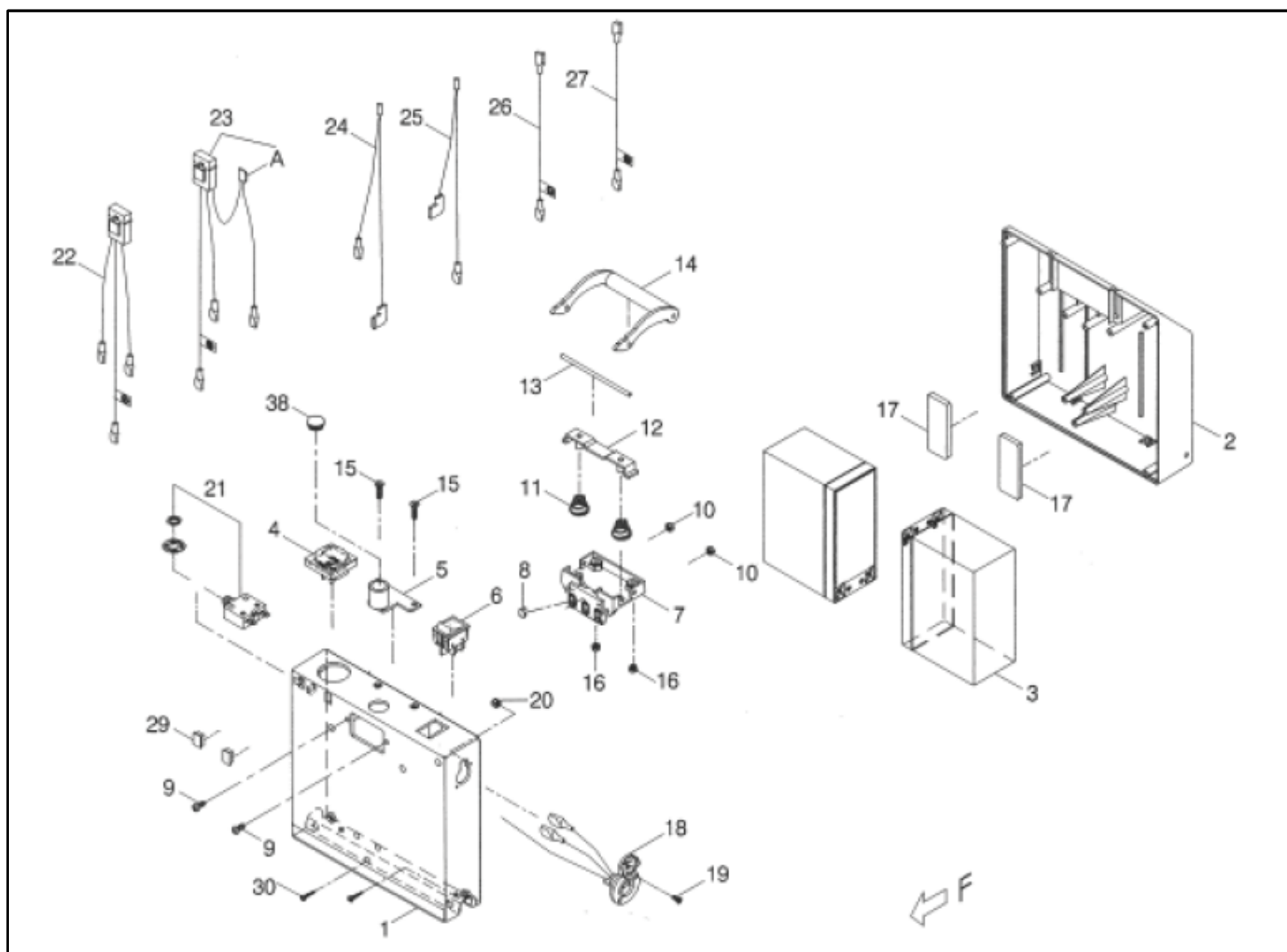


Pos.	Item number	Description	QTY
2	2370-01200-00	MAIN CONTROL CABLE	1

RUBY - CABLES

Pos.	Item number	Description	QTY
3	N/A	BRACKET	1
4	N/A	WASHER	2
5	5022-04007-210	SPRING WASHER	4
6	N/A	SCREW	2
7	5005-04010-210	SCREW	2
8	209920-77401	FASTENING STRAP	1
9	1300-00502-00	DRIVE-TRAIN ASSEMBLY RH	1
10	1300-00503-00	DRIVE-TRAIN ASSEMBLY LH	1
11	800908-773-23	CABLES ASSEMBLY W/I BATTERY	1
12	107003-77500	BATTERY CABLE ASSEMBLY	1
13	N/A	POWER CABLE	1
14	5012-05008-200	SELF-LOCK NUT	2
15	203511-77301	CHARGE INLET COVER	1
16	202402-77300	SPRING	2
17	4003290-00	POLE HEAD	2
18	203503-77401-0	CABLE PROTECT COVER	1
19	5009-05020-710	SCREW	2
20	5012-05008-200	SELF-LOCK NUT	2
21	109201-88800-A3	CHARGER	1
N/S	209201-88201	MAINS LEAD CHARGER - UK	1
N/S	209201-88204	MAINS LEAD CHARGER - EUROPE	1

RUBY - BATTERIES

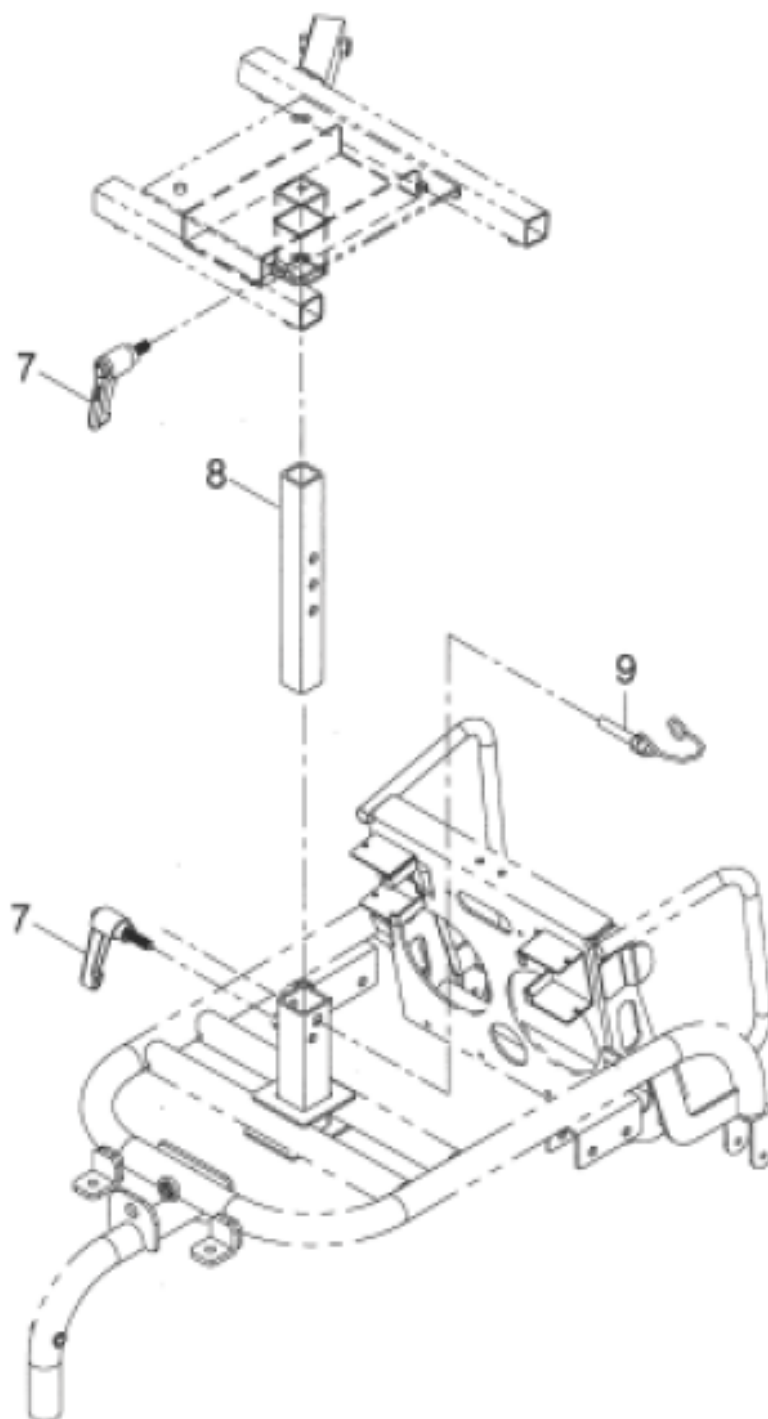


Pos.	Item number	Description	QTY
1	209923-77304	BATTERY BOX	1
2	209922-77304	BATTERY BOX LID	1
3	109101-66701-12L	BATTERY	2
4	206130-88100	ANALOG	1
5	202935-77300	STRUT	1
6	208203-77300	TOGGLE SWITCH	1
7	203511-77300	PLASTIC BRACKET	1
8	4001540-00	POLE PLATE	3
9	5005-05012-440	SCREW	2
10	5012-05008-200	SELF-LOCK NUT	2
11	202927-77300	SPRING	2
12	202909-77300	SNAP RING	1
13	4002120-00	TUBE	1

RUBY - BATTERIES

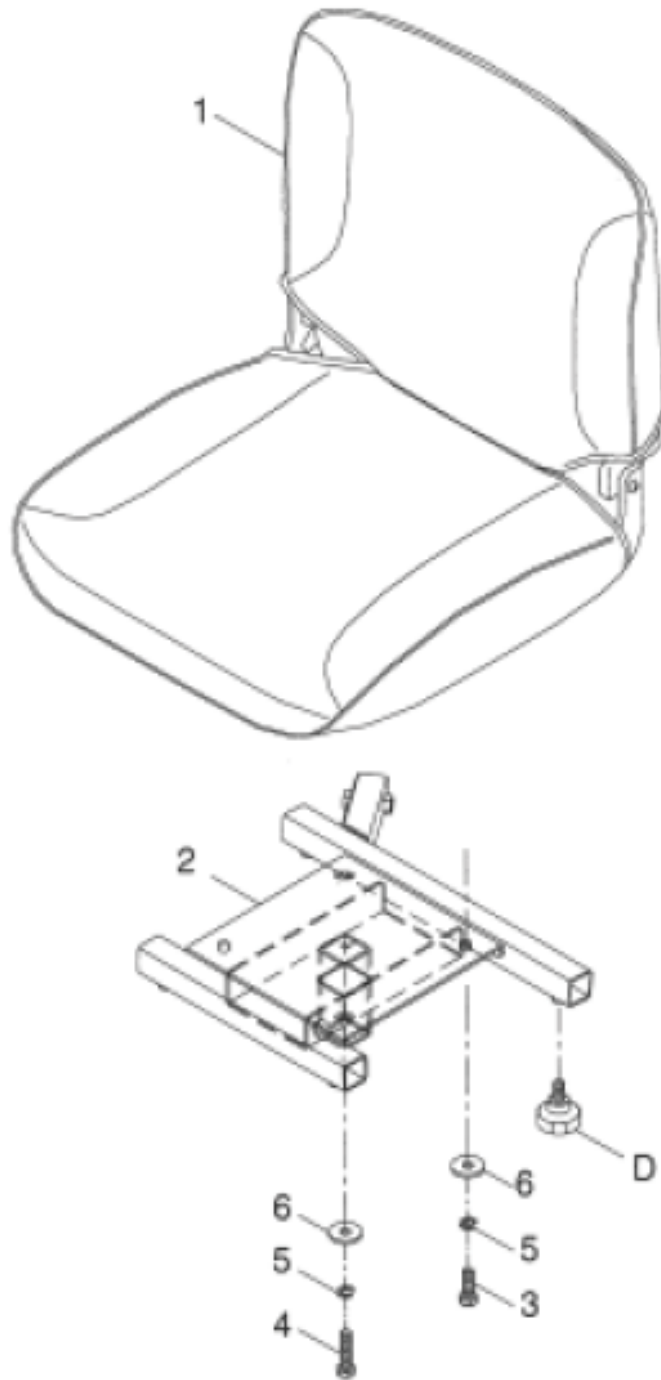
Pos.	Item number	Description	QTY
14	202909-77302	HANDLE HOOK	1
15	5009-05020-710	SCREW	2
16	5012-05008-200	SELF-LOCK NUT	2
17	301307-00	SPONGINESS DECAL	2
18	207006-77300	CHARGING CABLE	1
19	5009-03010-440	SCREW	2
20	5012-03006-200	SELF-LOCK NUT	2
21	206207-78700	CIRCUIT BREAKER	1
22	207002-77300	BATTERY CABLE(-)	1
23	107002-77300	BATTERY CABLE(+)	1
24	207020-77300	SWITCH CABLE ASSEMBLY	1
25	207020-77301	SWITCH CABLE ASSEMBLY	1
26	207014-78702	CONNECTION CABLE	1
27	207014-78703	CONNECTION CABLE	1
29	209917-77300	TURN SIGNAL PLUG	2
30	5006-04018-710	SELF TAPPING SCREW	7
38	209931-77300	RUBBER COVER	1
A	206903-77300	FUSE	1
1-38	800908-773-23	COMPLETE BATTERY UNIT 12AH	1

RUBY - SEAT FIXING



Pos.	Item number	Description	QTY
7	201203-78701	LEVER	2
8	4004084-06	ADAPTOR	1
9	202922-88205	CONNECTING PIN	1

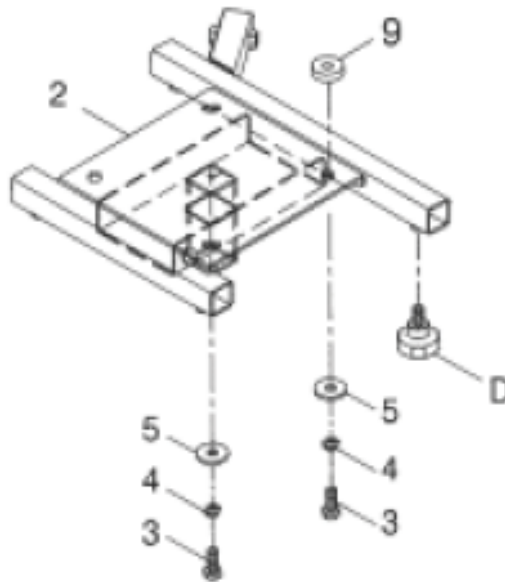
RUBY - SEAT



Pos.	Item number	Description	QTY
1	104100-77100	SEAT & SEAT CUSHION COVER ASSEMBLY	1
2	2345-00301-00-A2	FIX PLATE FOR SEAT	1
3	5001-08025-210	HEX CAP SCREW	2
4	5001-08035-210	HEX CAP SCREW	2
5	5022-08013-210	SPRING WASHER	4

Pos.	Item number	Description	QTY
6	5021-08022-210	WASHER	2
D	202922-88205	CONNECTING PIN	1

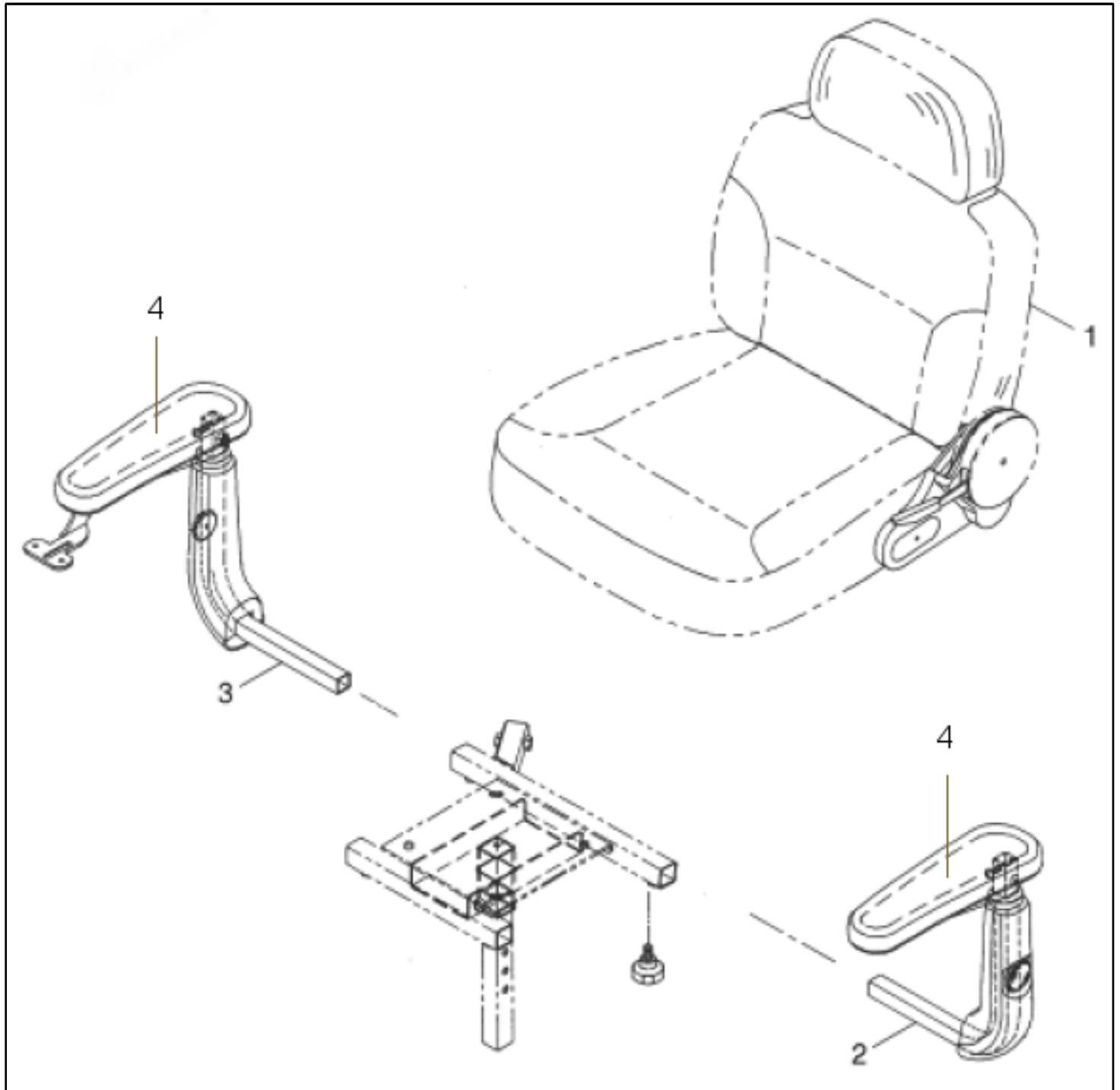
RUBY - SEAT PLUS



Pos.	Item number	Description	QTY
1	104017-00400-A2	SEAT & SEAT CUSHION COVER ASSEMBLY	1
2	2345-00301-00-A2	FIX PLATE FOR SEAT	1
3	5001-08020-210	HEX CAP SCREW	4
4	5022-08013-210	SPRING WASHER	4
5	5021-08022-210	WASHER	4

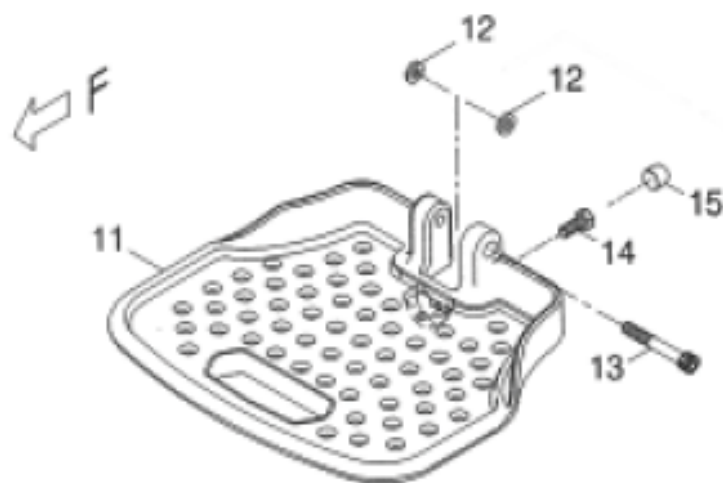
Pos.	Item number	Description	QTY
9	5021-08022-211	WASHER	4
D	202922-88205	CONNECTOR PIN	1

RUBY - ARMRESTS



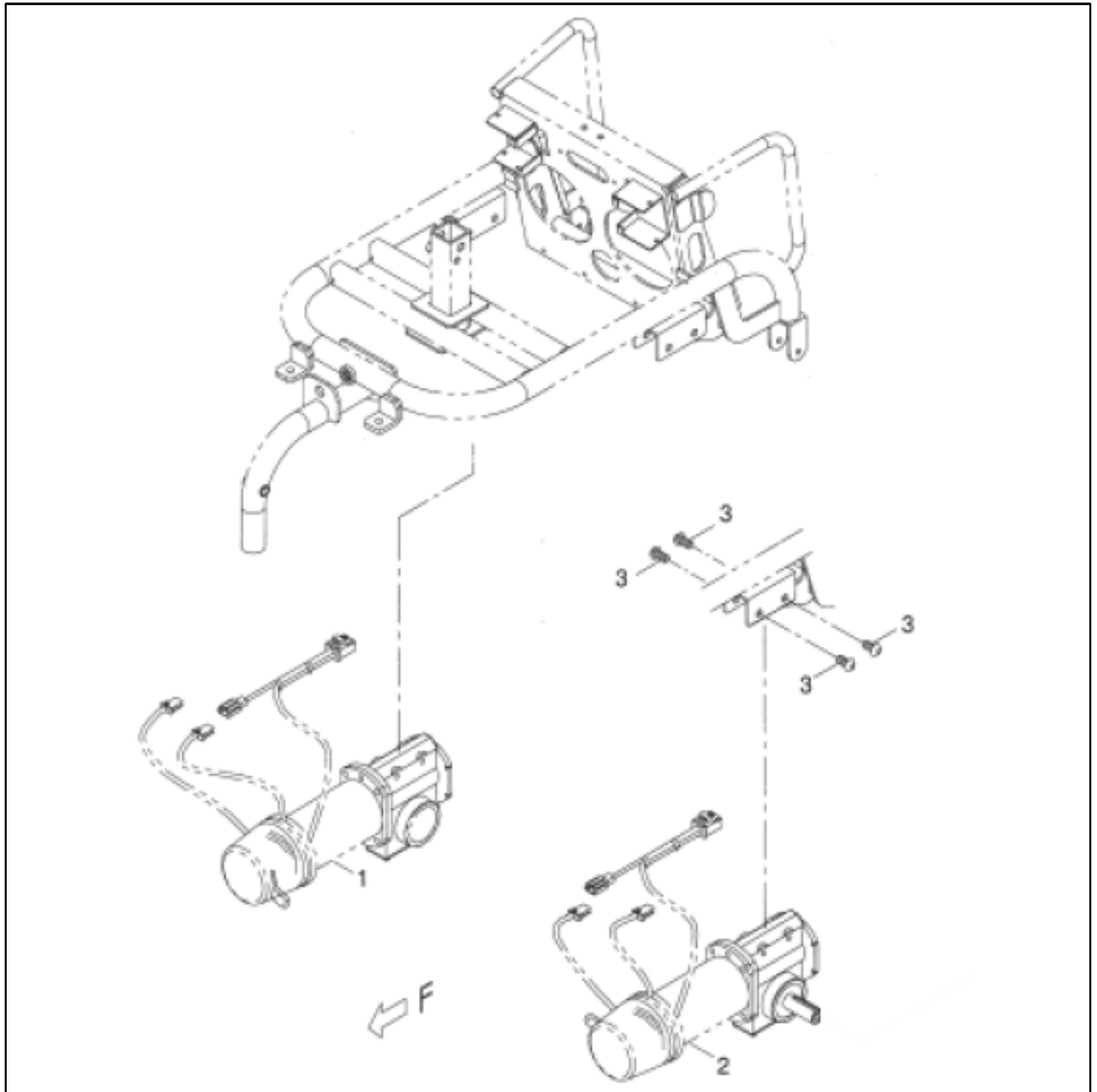
Pos.	Item number	Description	QTY
1	104100-77100-A3	SEAT & SEAT CUSHION COVER ASSEMBLY RUBY	1
1	104017-00400-A2	SEAT & SEAT CUSHION COVER ASSEMBLY RUBY +	1
2	104300-00101	ARM ASSEMBLY (L)	1
3	104400-00101	ARM ASSEMBLY (R)	1
4	204304-00100	ARMPAD (UNIVERSAL)	1

RUBY - FOOT BOARD



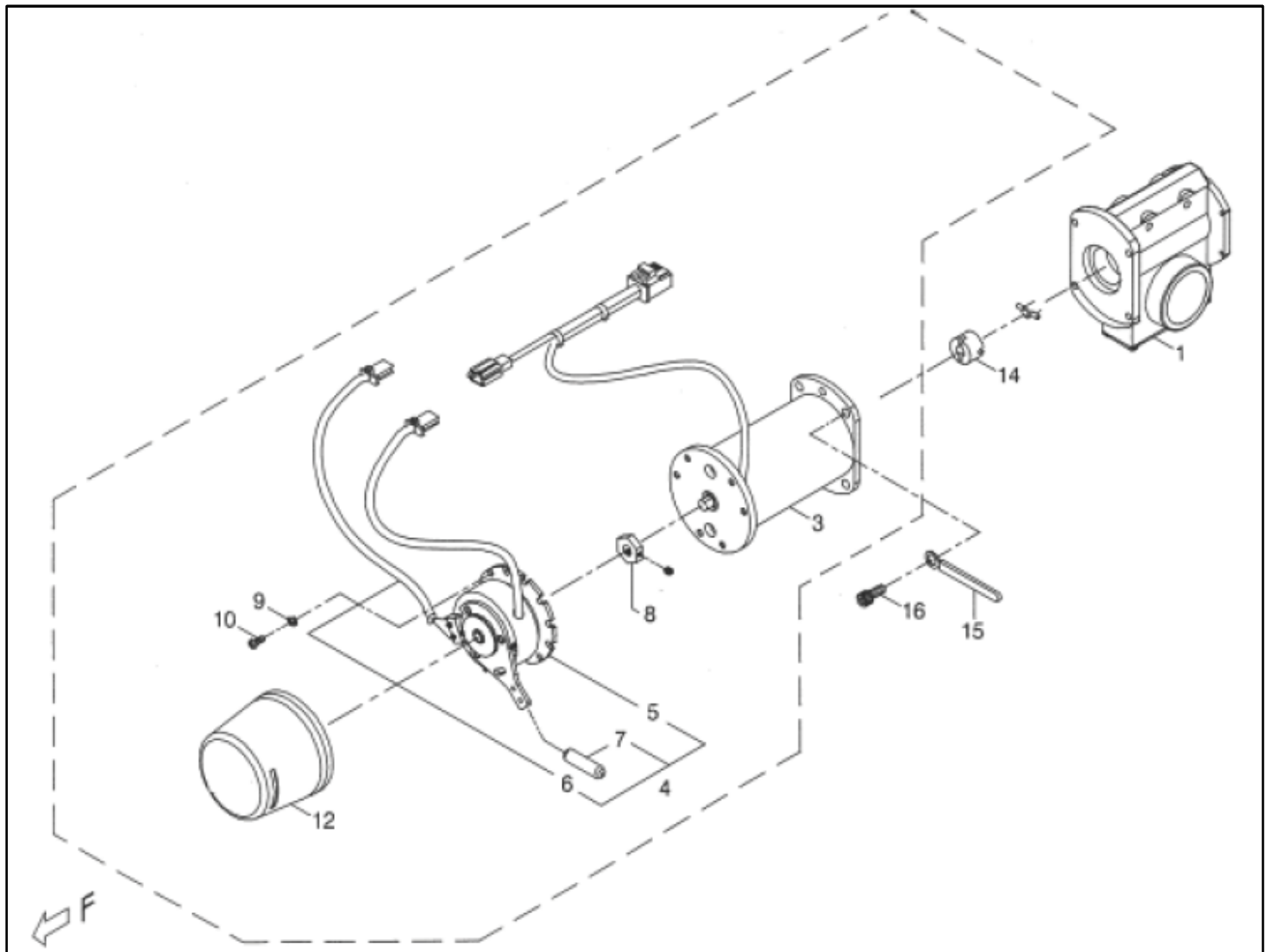
Pos.	Item number	Description	QTY
11	2329-00100-11	FOOTBOARD	1
12	N/A	WASHER	2
13	N/A	BOLT SOCKET	1
14	5001-08020-220	BOLT	1
15	N/A	VINLY COVER	1

RUBY - MOTORS AND FIXINGS



Pos.	Item number	Description	QTY
1	1300-00502-00	DRIVE-TRAIN ASSEMBLY LH	1
2	1300-00503-00	DRIVE-TRAIN ASSEMBLY RH	1
3	5003-08016-220	BOLT SOCKET	8

RUBY - MOTOR ASSEMBLY RH

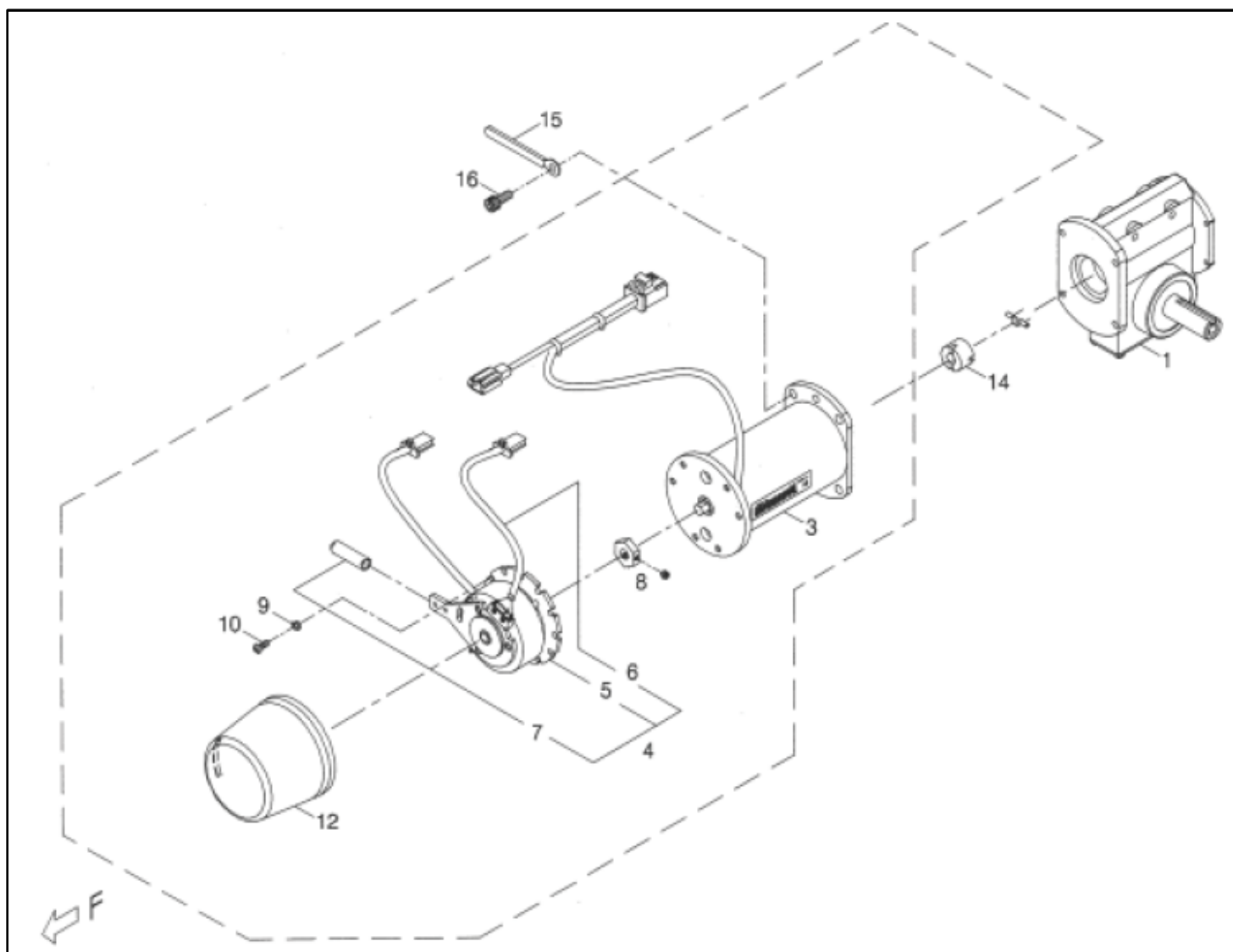


Pos.	Item number	Description	QTY
1	1304-00301-00	WORM GEAR ASSEMBLY (R)	1
1-16	1300-00502-00	DRIVE-TRAIN ASSEMBLY RH	1
3	100201-78702-A2	MOTOR ASSEMBLY	1
4	100303-80507-A2	MAGNETIC BRAKE	1
5	N/A	MAGNETIC BRAKE	1
6	N/A	CONNECTION CABLE	1
7	209929-88101	RUBBER	1
8	200302-88101	DISC BRAKE DRIVING AXLE	1
9	5022-04007-210	SPRING WASHER	3
10	5005-04010-210	SCREW	3
12	2399-00201-00	PROTECT COVER FOR MAGNETIC BRAKE	1
14	200920-78700	PROPELLER SHAFT	1

RUBY - MOTOR ASSEMBLY RH

Pos.	Item number	Description	QTY
15	4001393-00	PLATE	1
16	5002-06016-220	BOLT SOCKET	4

RUBY - MOTOR ASSEMBLY LH



Pos.	Item number	Description	QTY
1	1304-00301-00	WORM GEAR ASSEMBLY (R)	1
1-16	1300-00502-00	DRIVE-TRAIN ASSEMBLY RH	1
3	100201-78702-A2	MOTOR ASSEMBLY	1
4	100303-80507-A2	MAGNETIC BRAKE	1
5	N/A	MAGNETIC BRAKE	1
6	N/A	CONNECTION CABLE	1
7	209929-88101	RUBBER	1
8	200302-88101	DISC BRAKE DRIVING AXLE	1
9	5022-04007-210	SPRING WASHER	3
10	5005-04010-210	SCREW	3
12	2399-00201-00	PROTECT COVER FOR MAGNETIC BRAKE	1
14	200920-78700	PROPELLER SHAFT	1

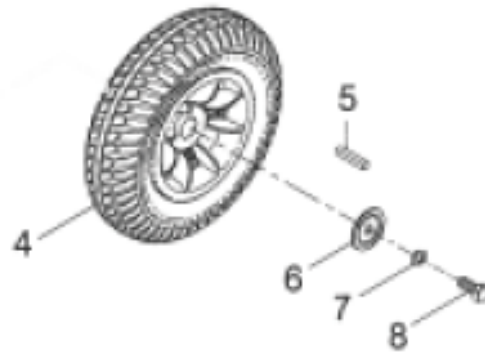
RUBY - MOTOR ASSEMBLY LH

Pos.	Item number	Description	QTY
15	4001393-00	PLATE	1
16	5002-06016-220	BOLT SOCKET	4

RUBY - CASTORS

Pos.	Item number	Description	QTY
22	N/A	BOLT SOCKET	1
23	N/A	WASHER	1
24	5014-12019-210	SELF-LOCK NUT	1

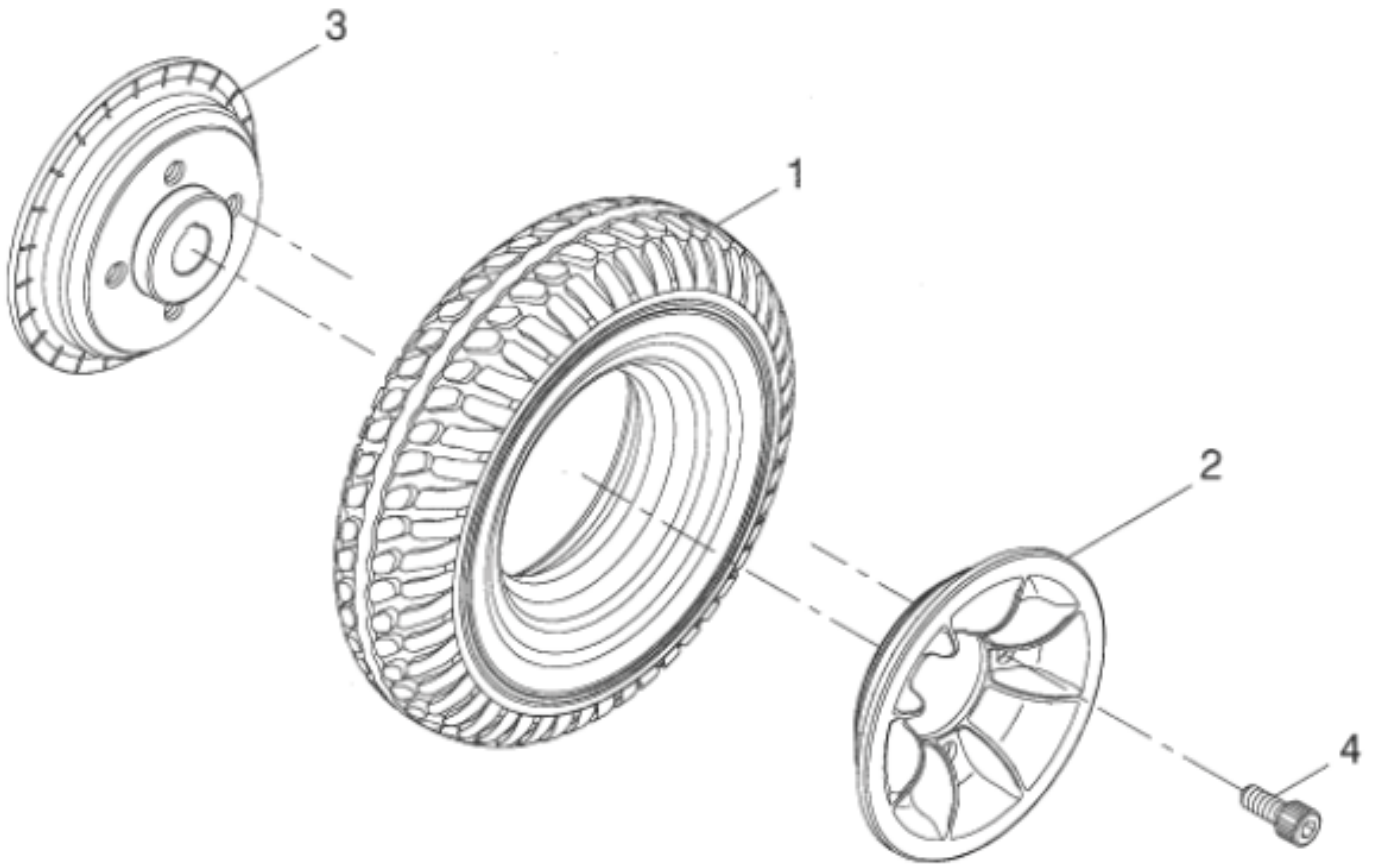
RUBY - REAR WHEEL AND FIXING



Pos.	Item number	Description	QTY
4	105201-78703-50	REAR WHEEL ASSEMBLY	2
5	505301-00505-02	KEY	2
6	N/A	WASHER	2
7	5022-08013-210	SPRING WASHER	2
8	5001-08020-220	BOLT	2

RUBY - REAR WHEEL ASSEMBLY

RUBY - REAR WHEEL ASSEMBLY



Pos.	Item number	Description	QTY
1	205201-77119	TYRE WITH FOAM FILL	1
1-4	105201-78703-50	REAR WHEEL ASSEMBLY	2
2	205103-78700-50	RIM W/INFLATION INLET	1
3	205205-78700	HUB	1
4	5002-08020-220	BOLT SOCKET	4

Notes: